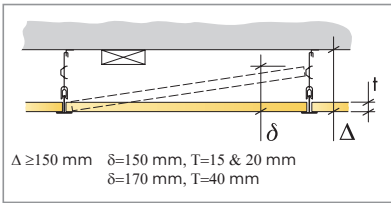
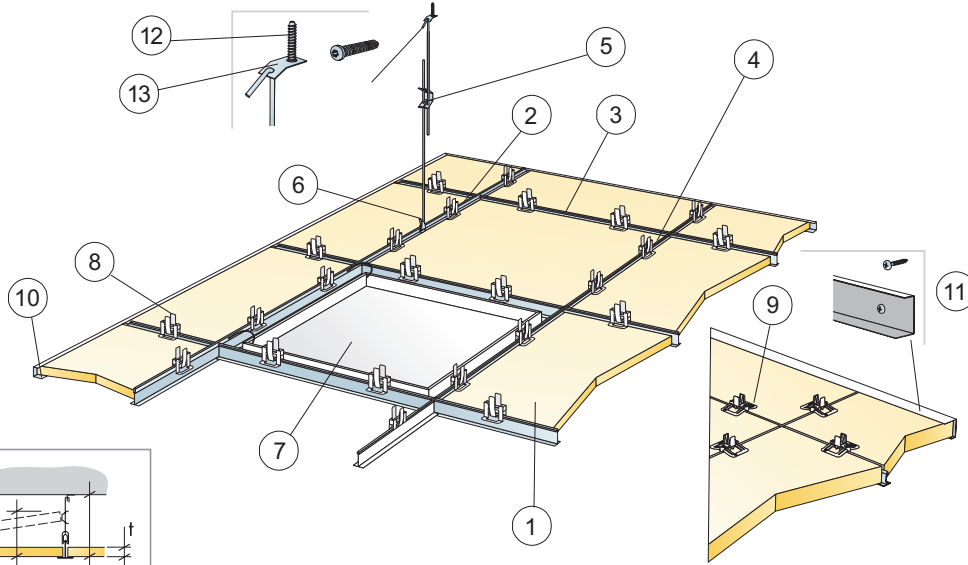
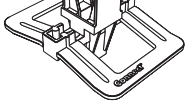

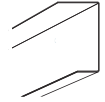
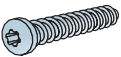
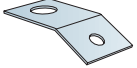
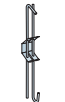

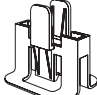


600 x 600
1200 x 600
625 x 625
1250 x 625

HYGIENE EDGE A SYSTEM

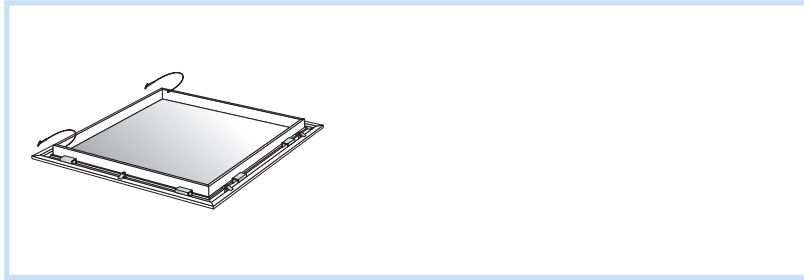


Ecophon Hygiene Edge

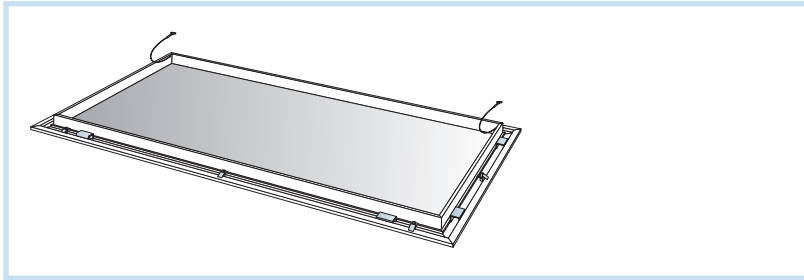
- | | | |
|--|--|---|
| <p>1 A panel
600x600/1200x600
625x625/1250x625</p> | <p>9 Connect Hygiene clip
40 (for 40 mm tiles)</p> |  |
| <p>2 Connect T24 Main runner</p> | <p>10 Connect Channel trim
(for 20 mm tiles)</p> |  |
| <p>3 Connect T24 Cross tee,
L=1200/1250</p> | <p>11 Connect Channel trim
(for 40 mm tiles)</p> |  |
| <p>4 Connect T24 Cross tee,
L=600/625</p> | <p>12 Connect Anchor Screw
C4 (for c4 environ-
ments)</p> |  |
| <p>5 Connect Adjustable
hanger</p> | <p>13 Connect fixing Plate C4
(for c4 environments)</p> |  |
| <p>6 Connect Hanger
clip, (not used in C4
environments)</p> | <p>Alt. Connect Angle trim
(for 15 mm tiles)</p> |  |
| <p>7 Connect Inspection
hatch C3 (for C3
environments)</p> | <p>Alt. Connect Universal
clip (for 15 mm tiles)</p> |  |
| <p>8 Connect Hygiene clip 20
(for 20 mm tiles)</p> | |  |



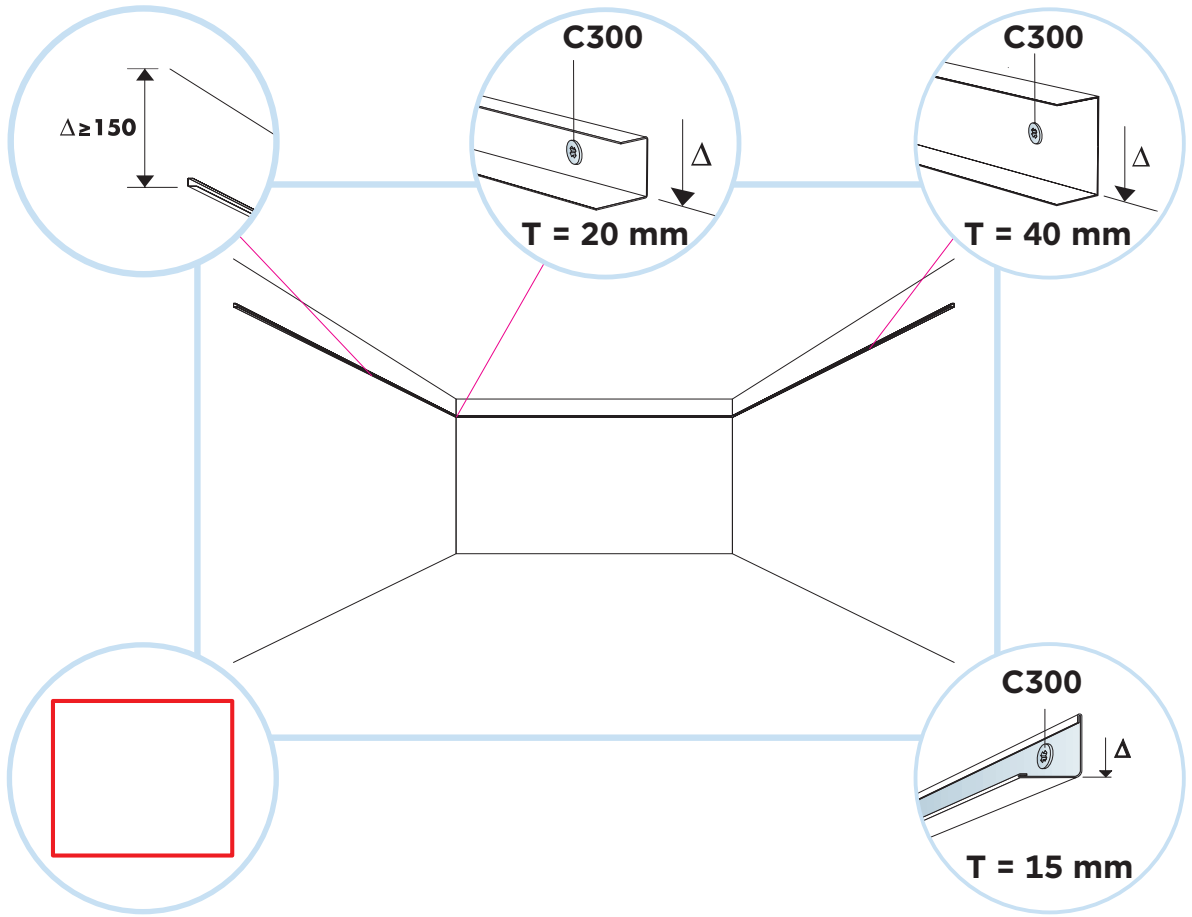
Connect Inspection hatch C3 (600x600)



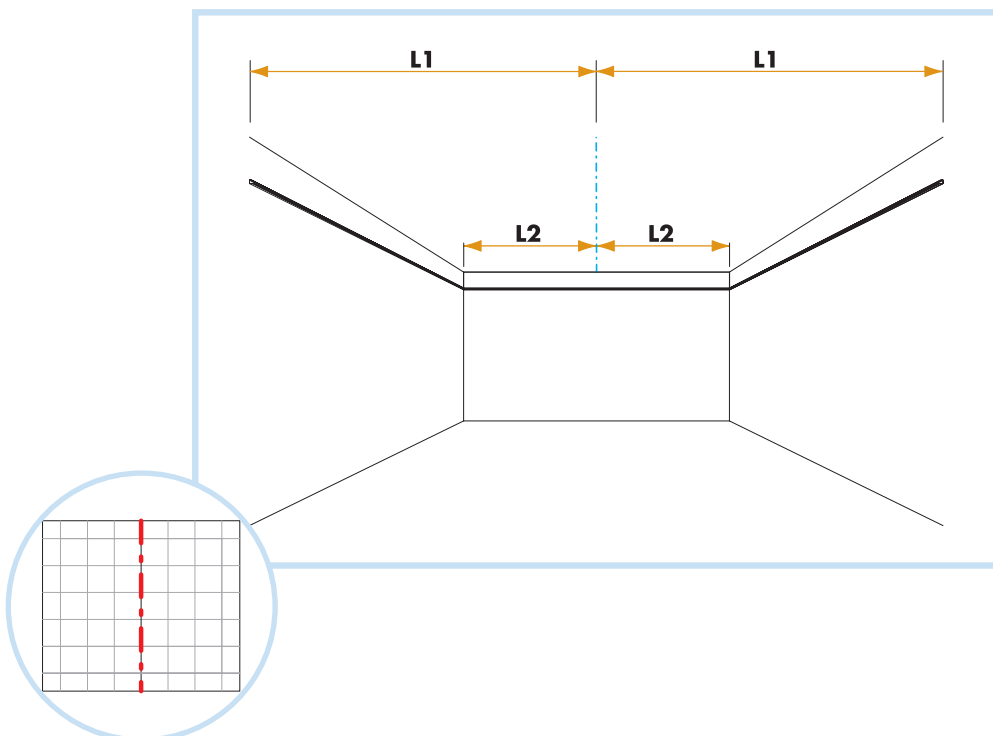
Connect Inspection hatch C3 (1200x600)

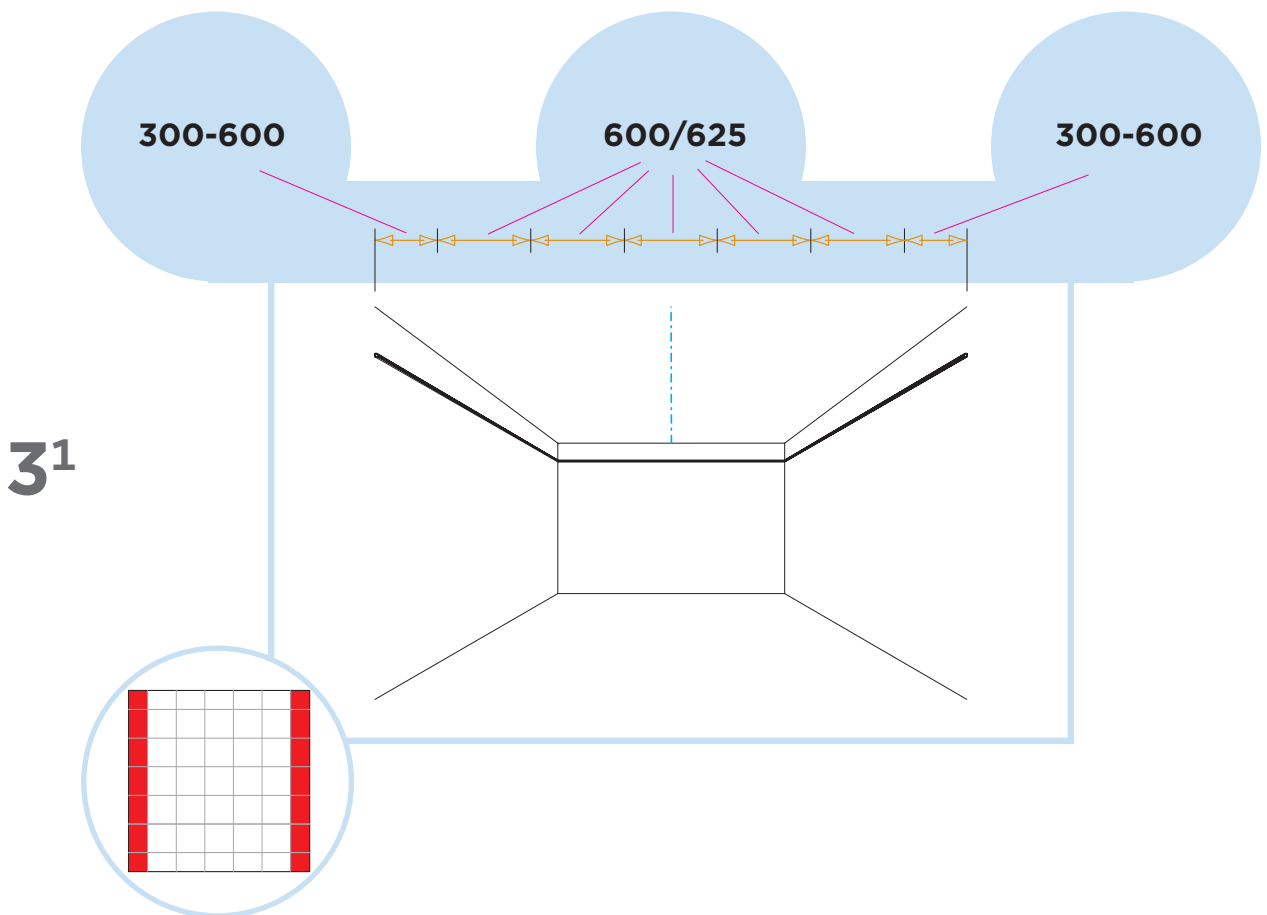
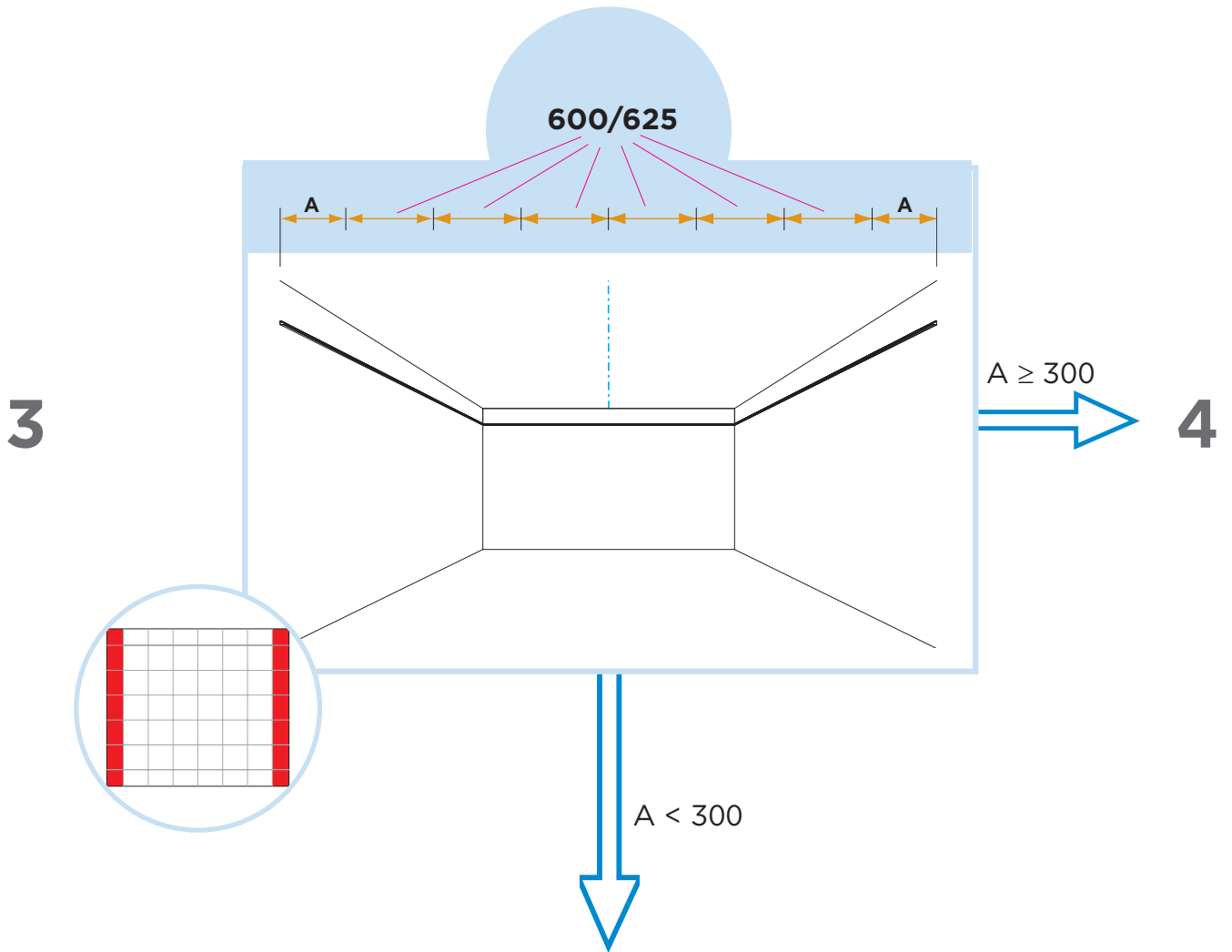


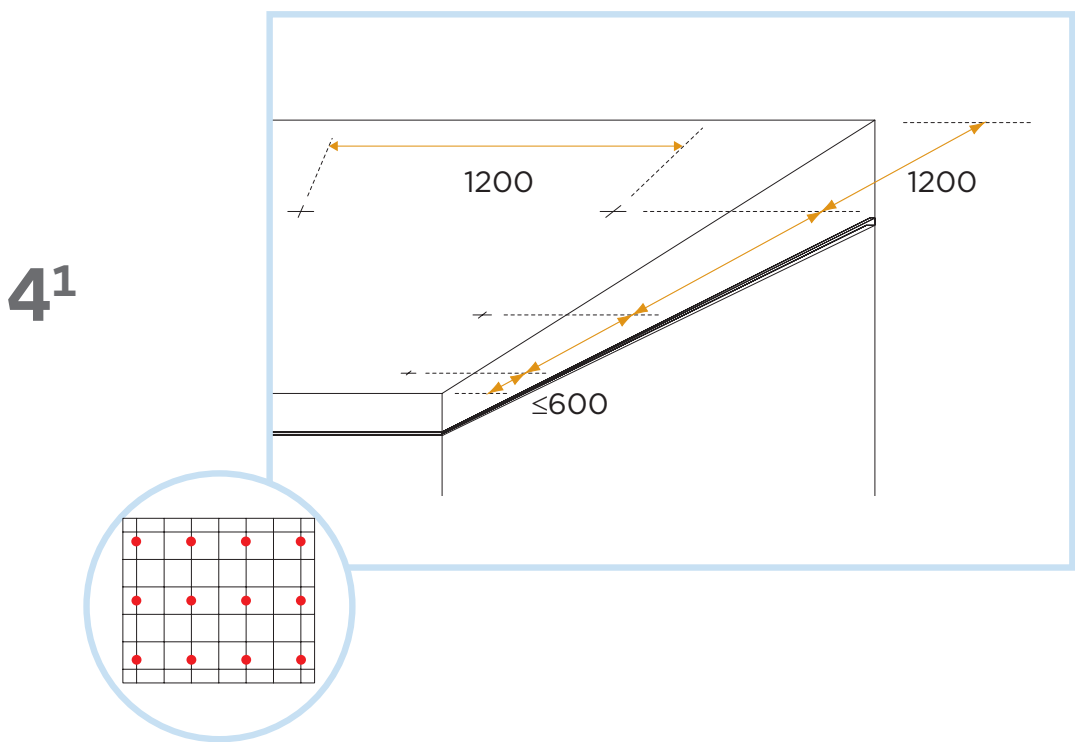
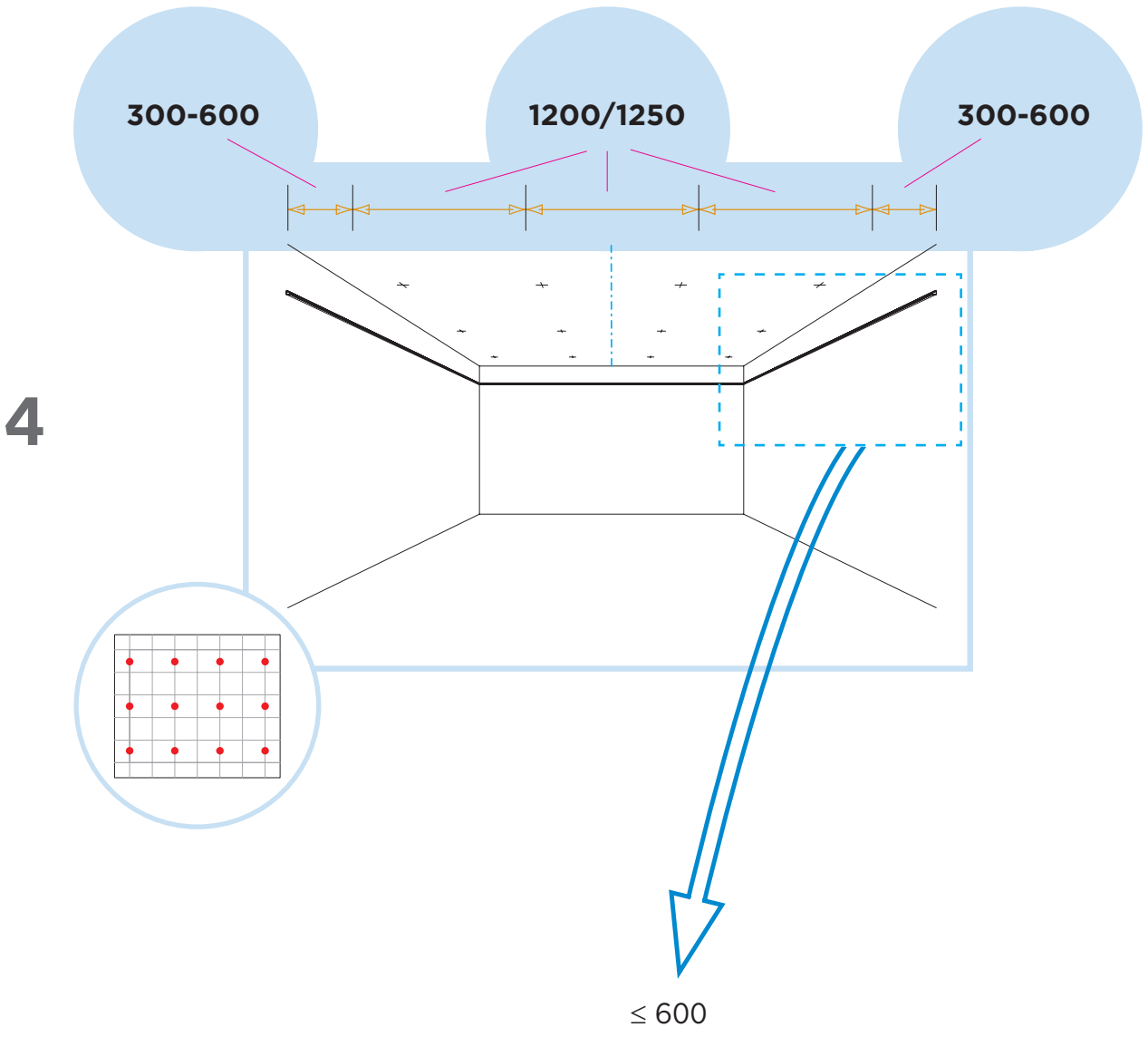
1



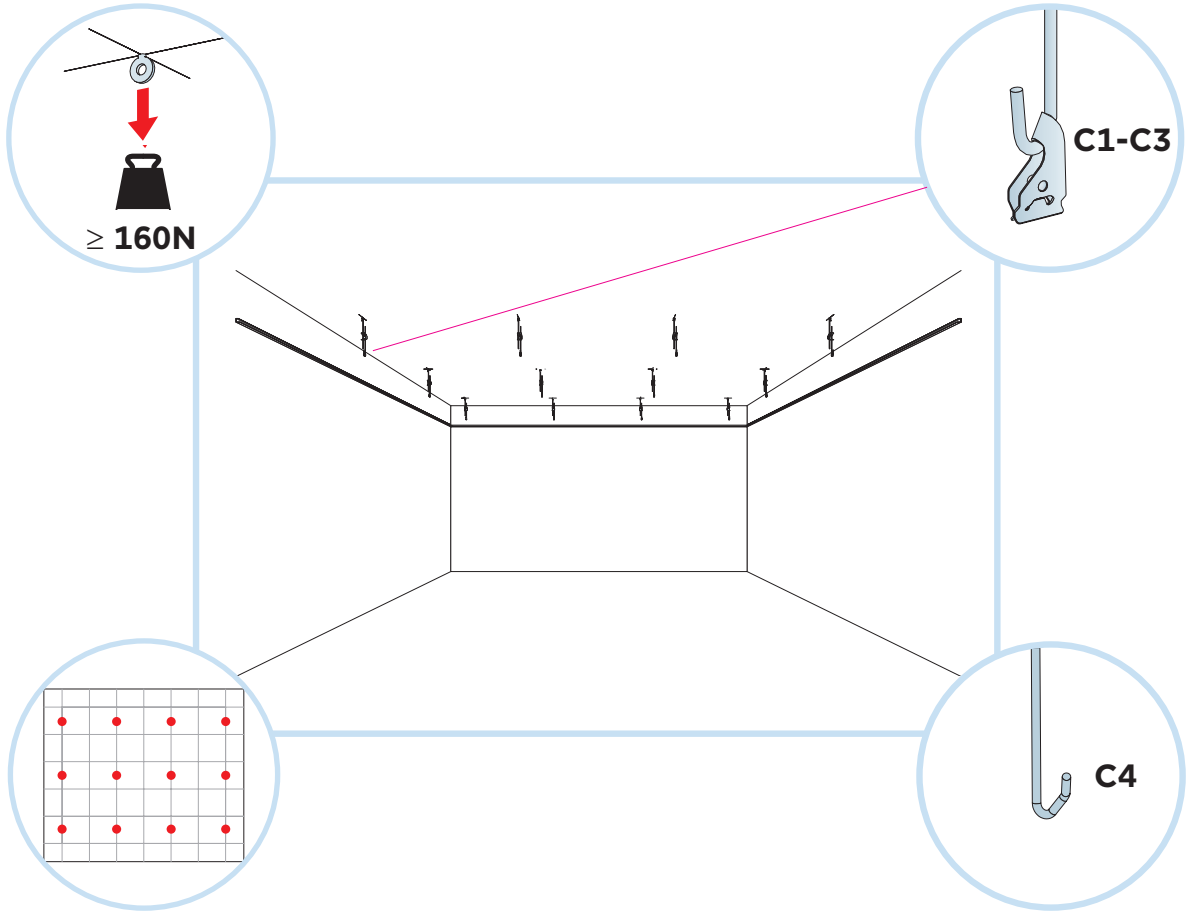
2



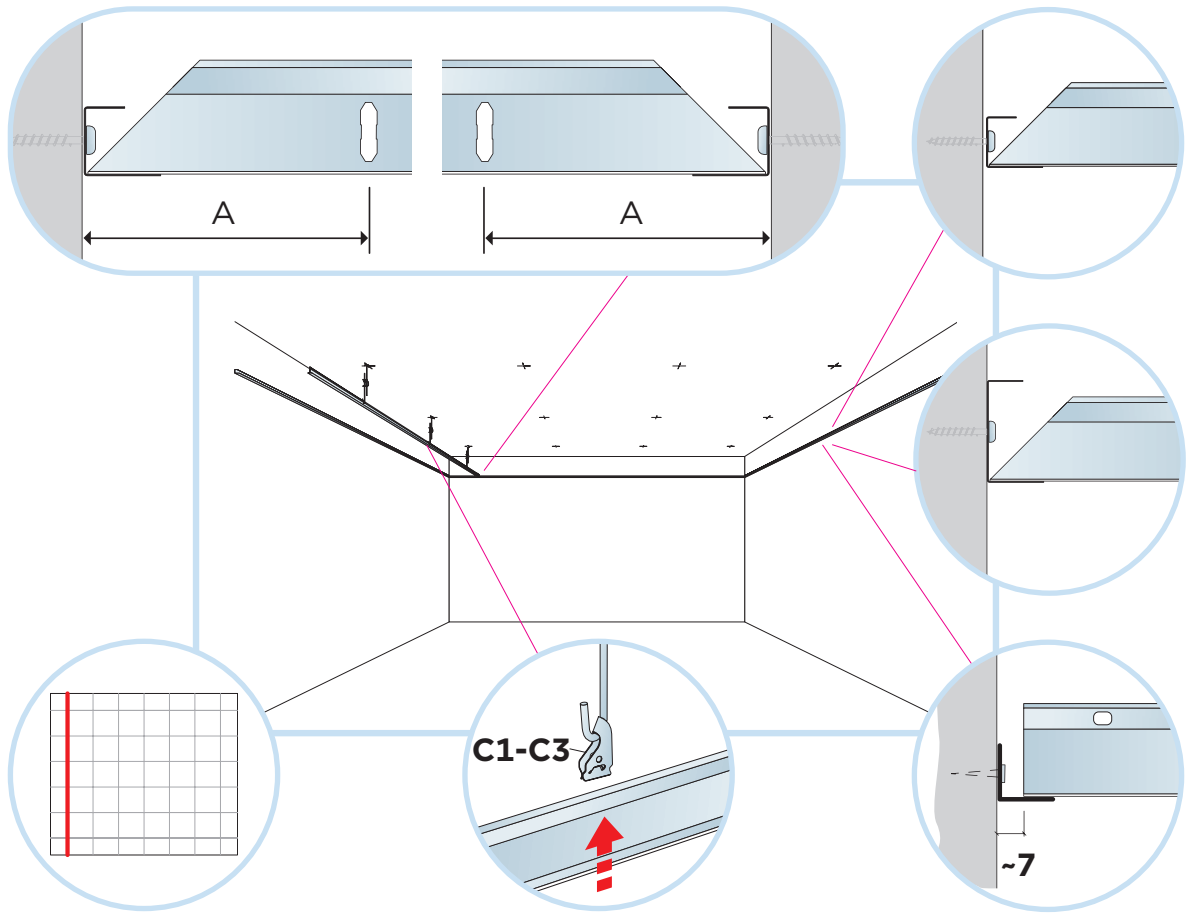




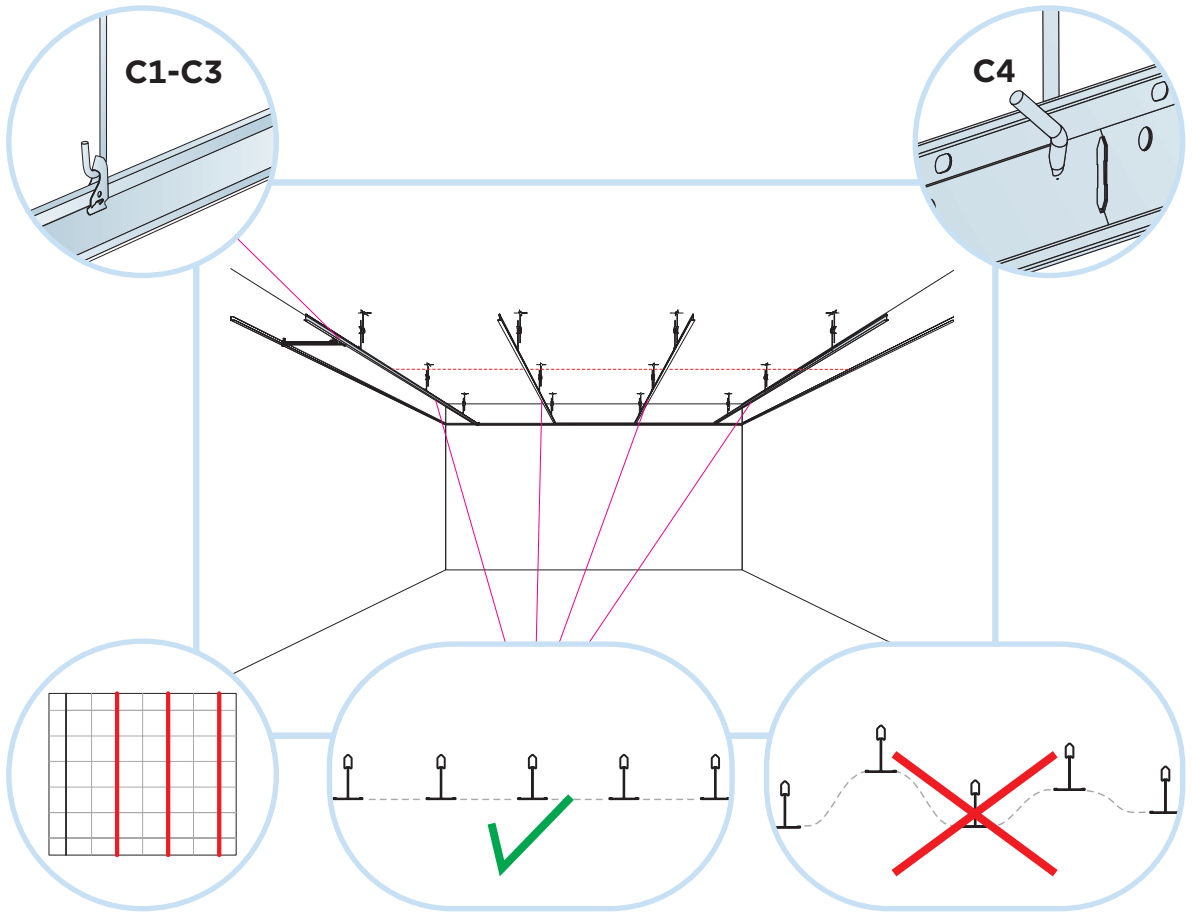
5



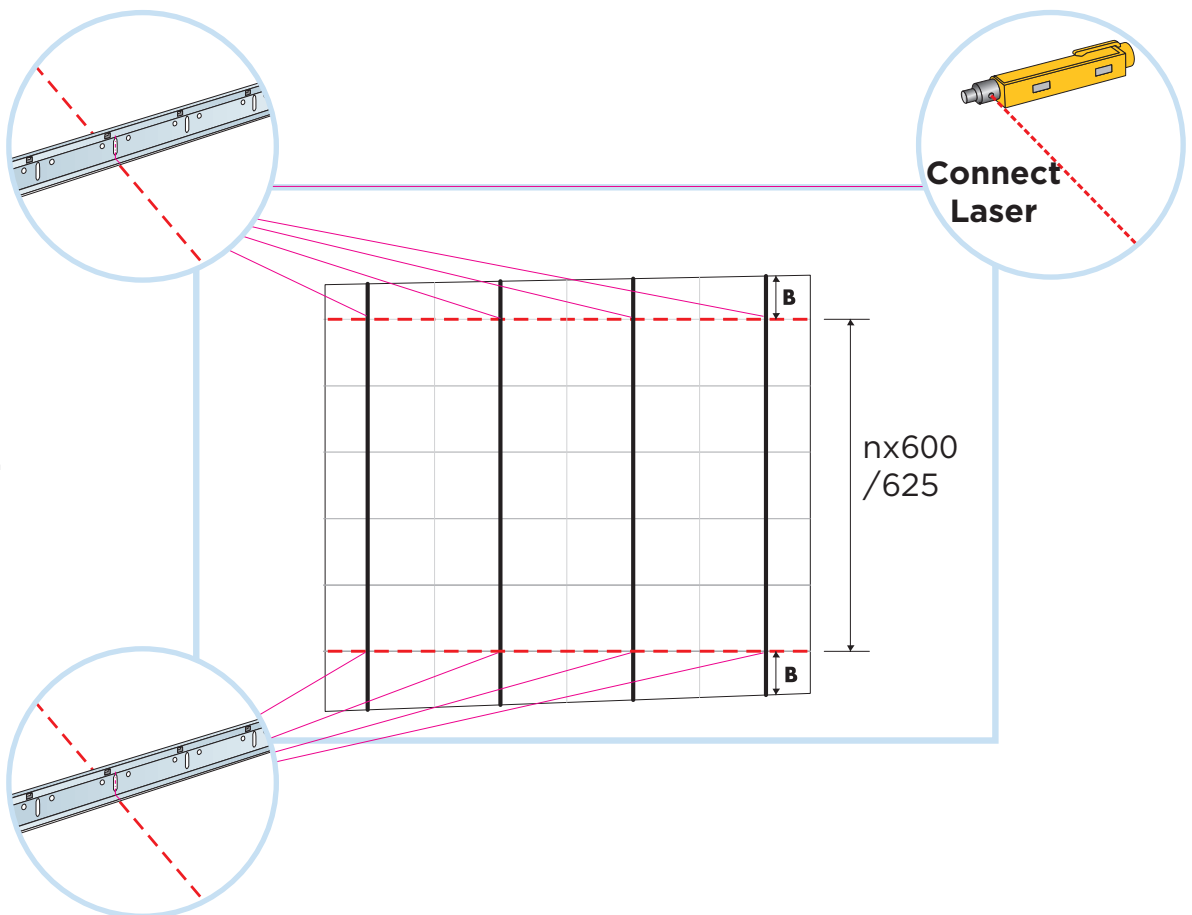
6



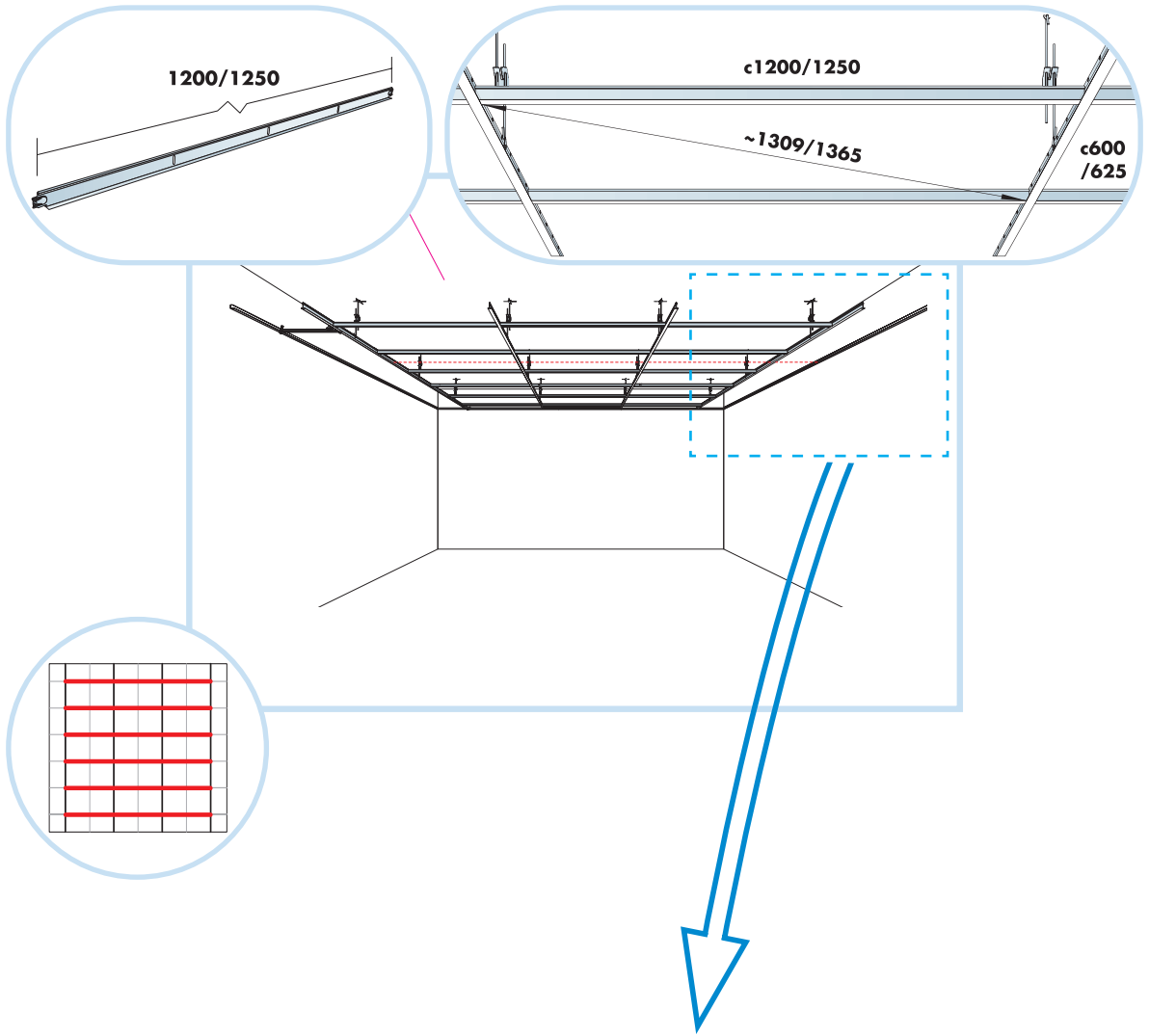
7



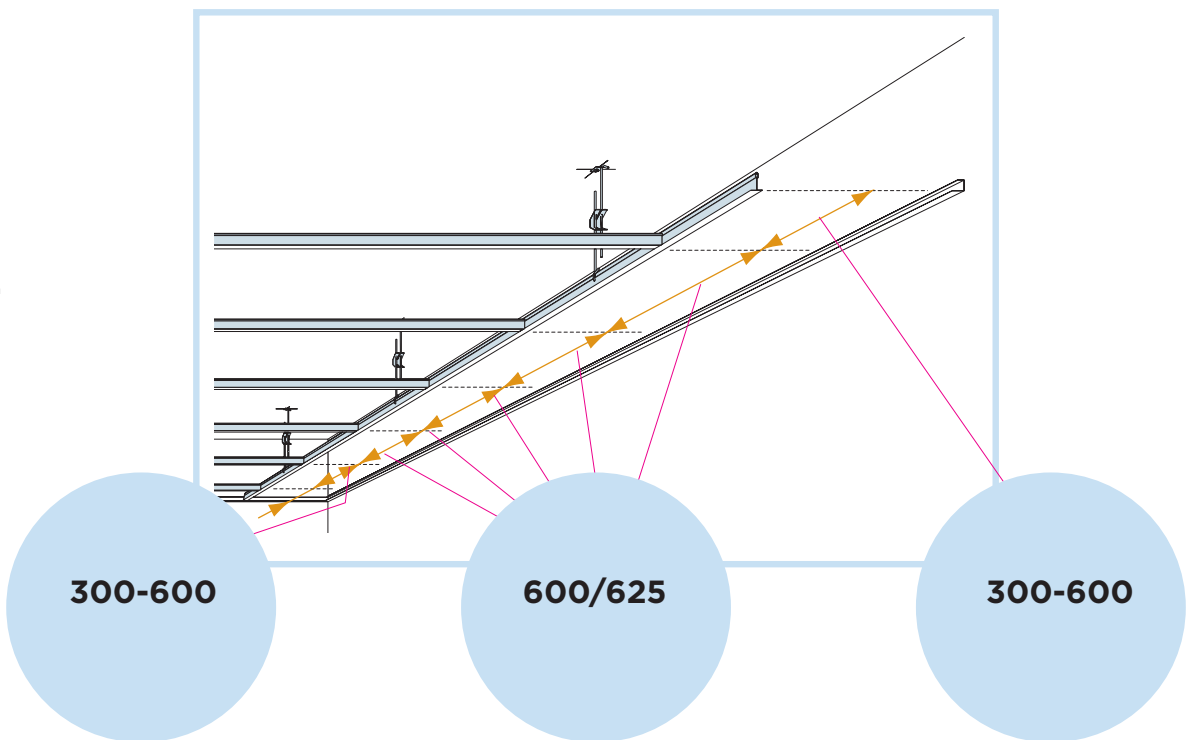
7¹



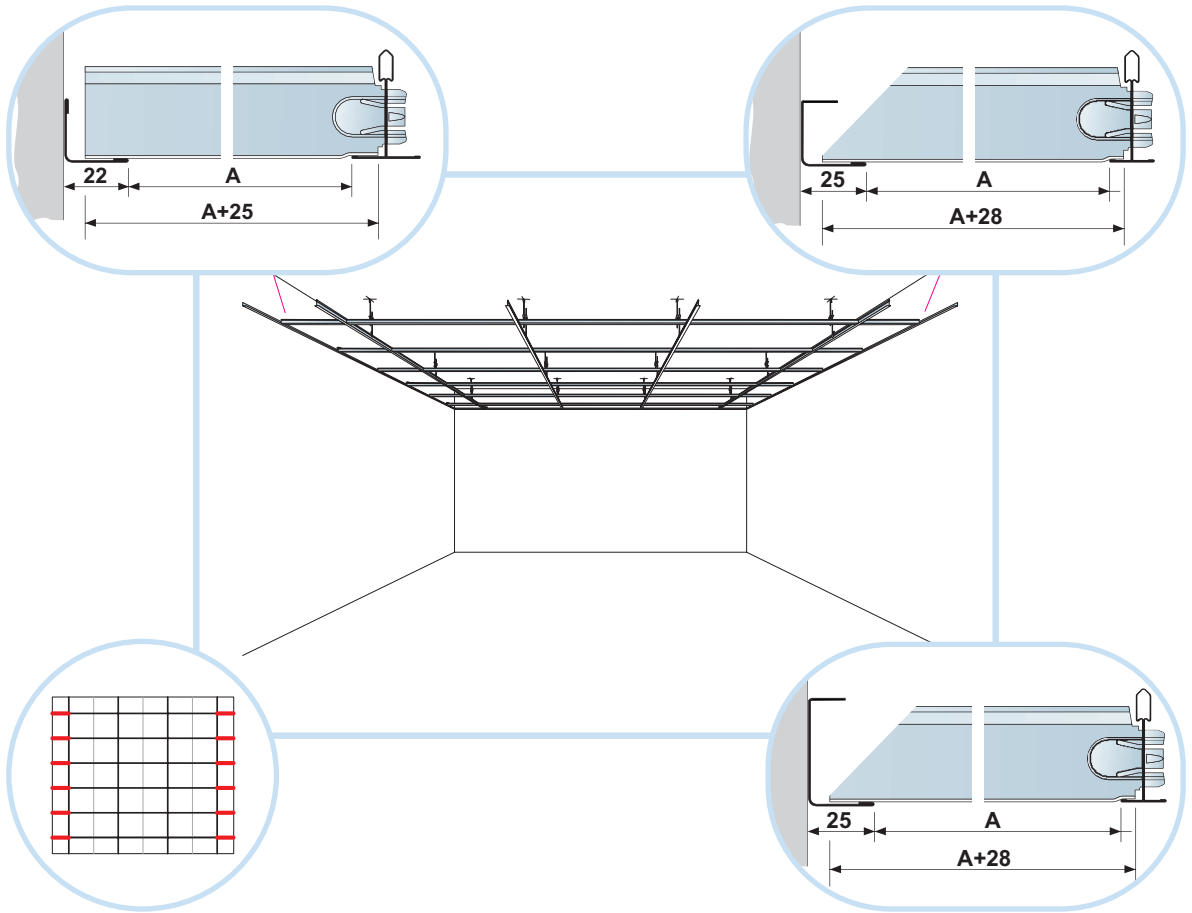
8



8¹

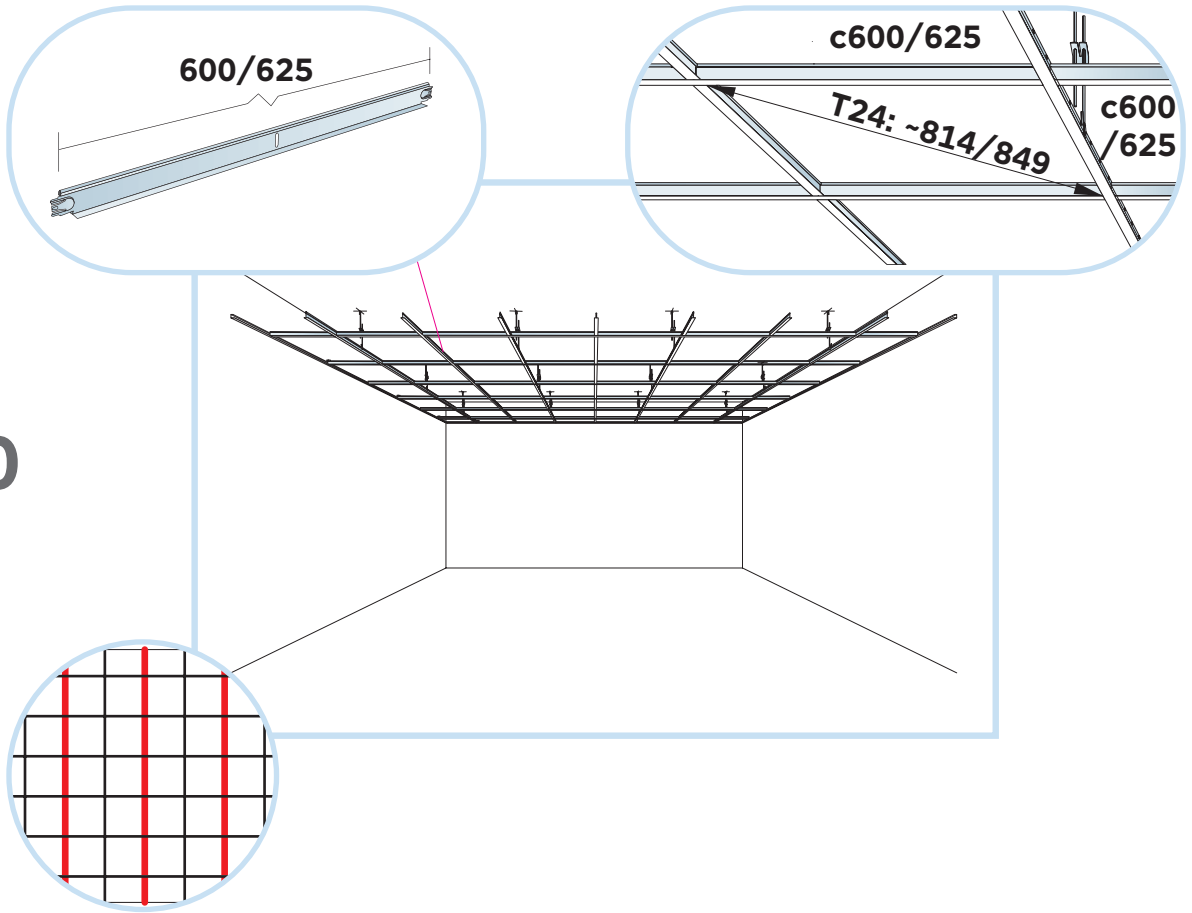


9

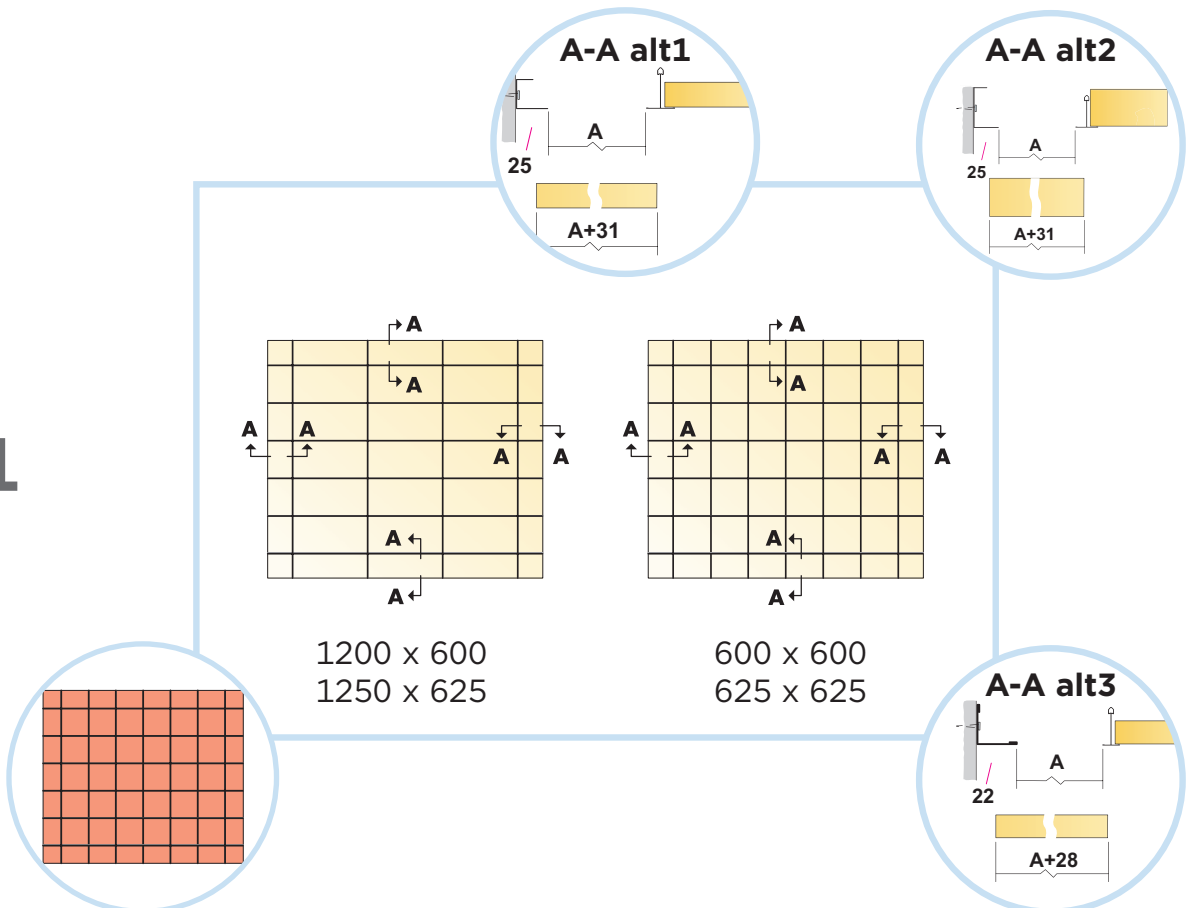


600 x 600/625 x 625 → 10
1200 x 600/1250 x 625 → 11

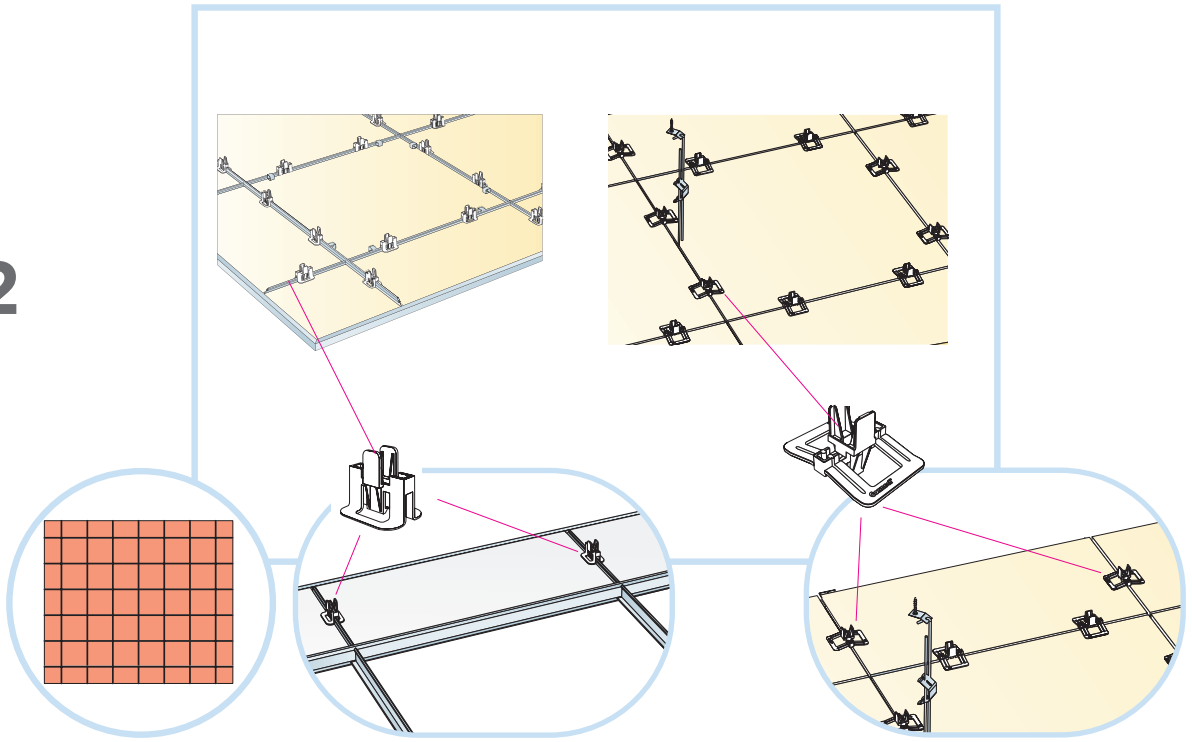
10



11



12



13

