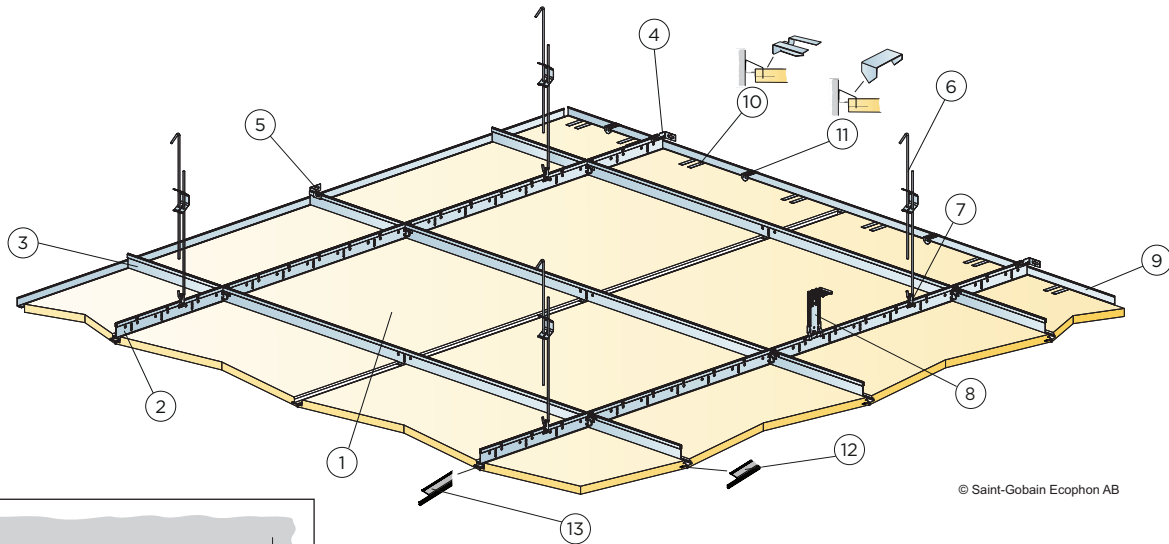
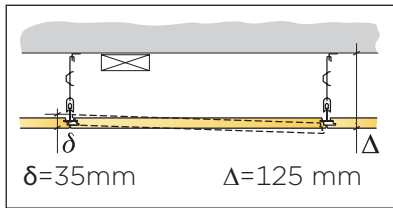


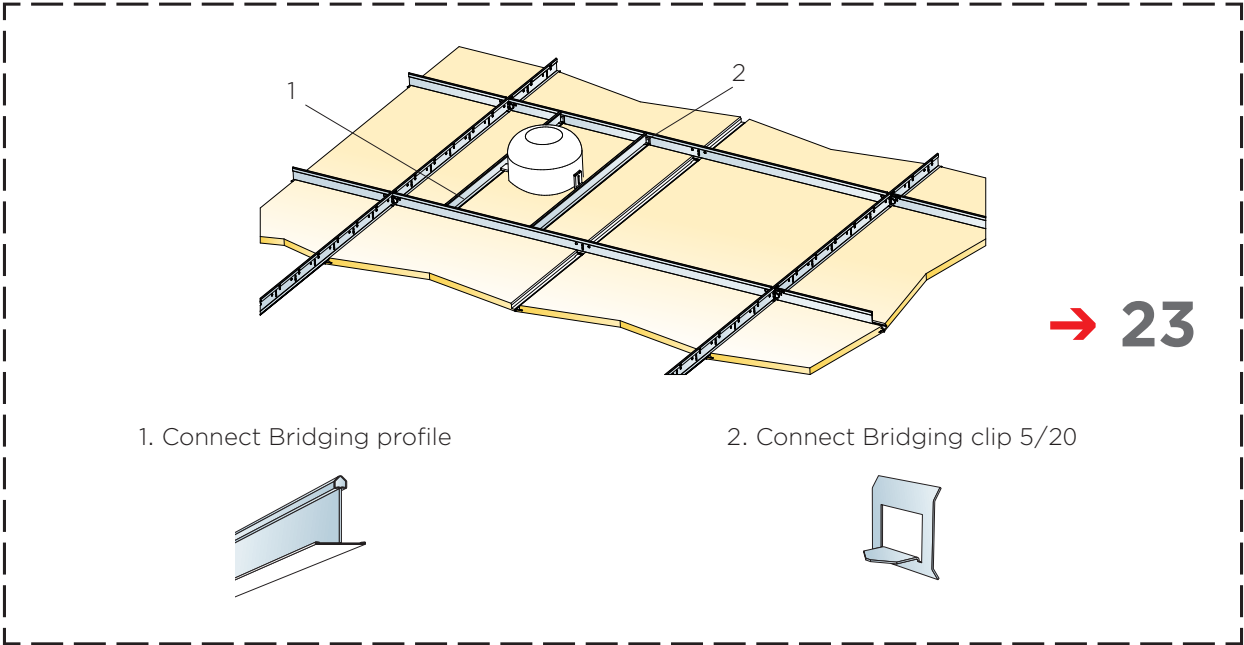
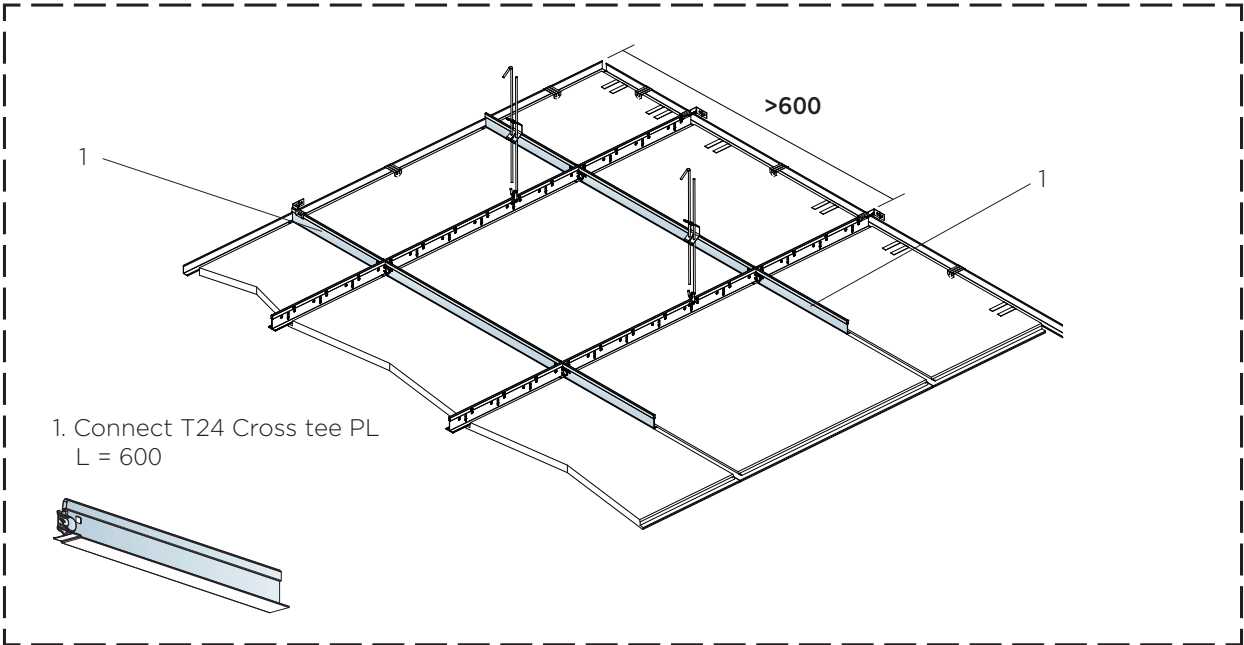
Ecophon Focus™ Dt

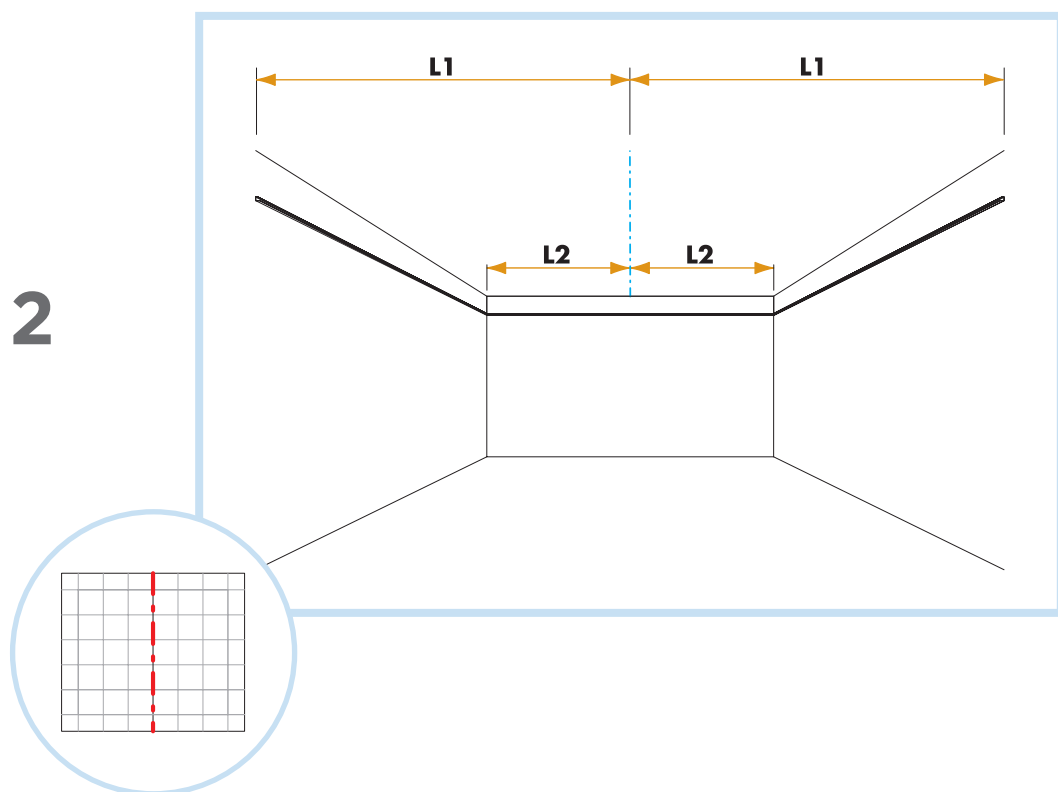
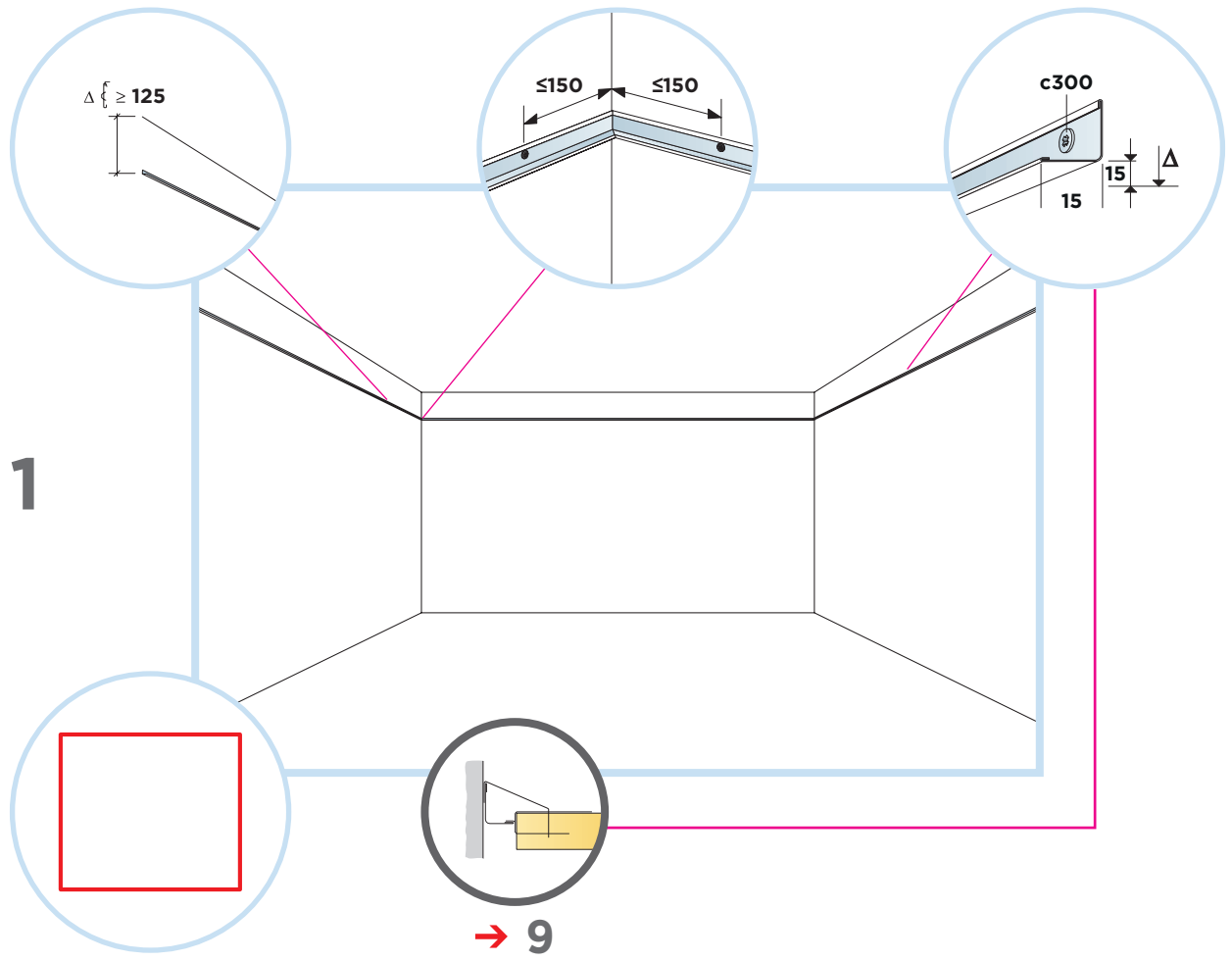


© Saint-Gobain Ecophon AB

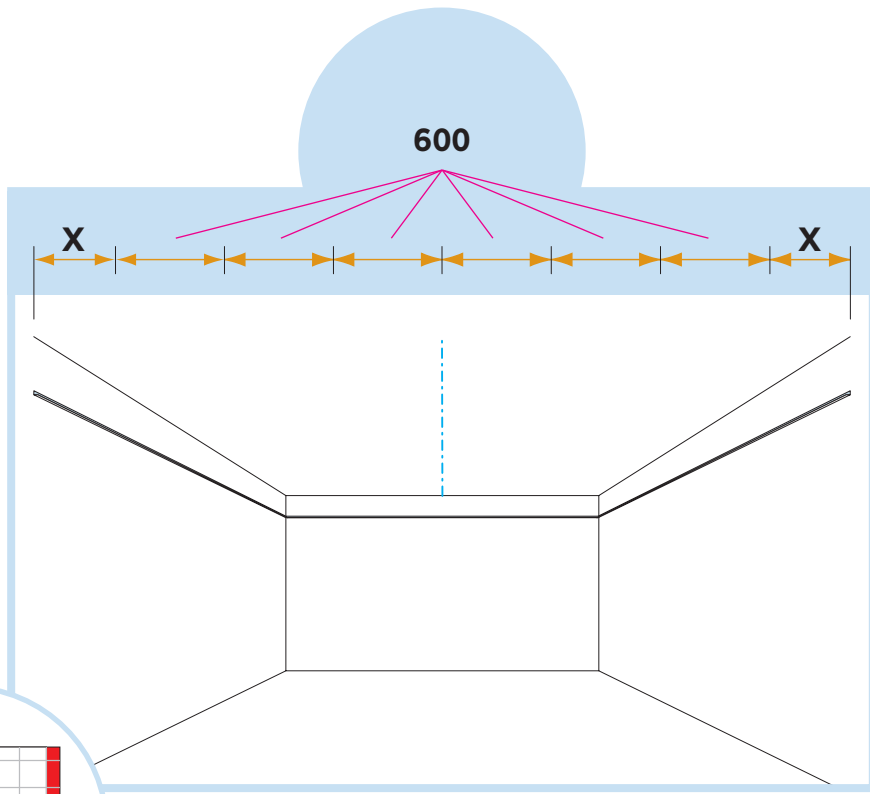
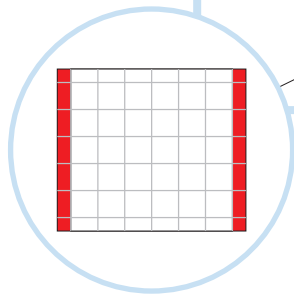


① Ecophon Focus Dt 600x600		⑨ Connect Angle trim 15/22, fixed at 300 mm centres	
② Connect T24 Main runner PL		⑩ Connect Support clip Dg20	
③ Connect T24 Cross tee PL, 1200 mm		⑪ Connect Perimeter tile clip	
④ Connect Wall bracket, fixed 1200 mm centres for Main runner		⑫ Connect Dt trim, L = 600mm	
⑤ Connect Wall bracket, fixed 1200 mm centres for Cross tee		⑬ Connect Dt trim, L = 596mm	
⑥ Connect Adjustable hanger			
⑦ Connect Hanger clip			
⑧ Alt. Connect Adjust direct bracket			





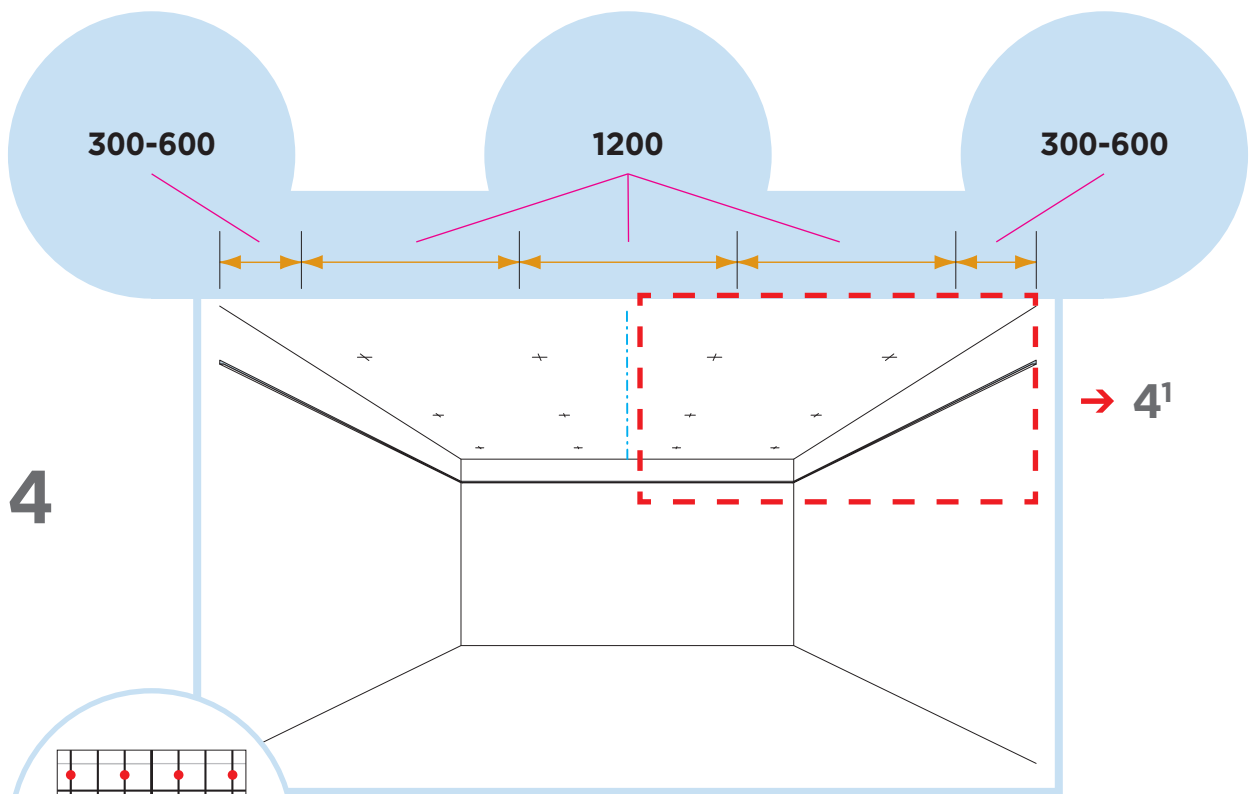
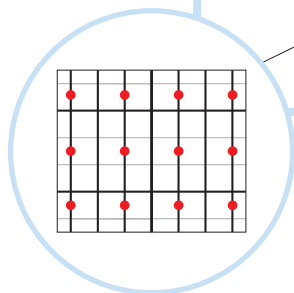
3



→ 4-5
 $X \geq 300$

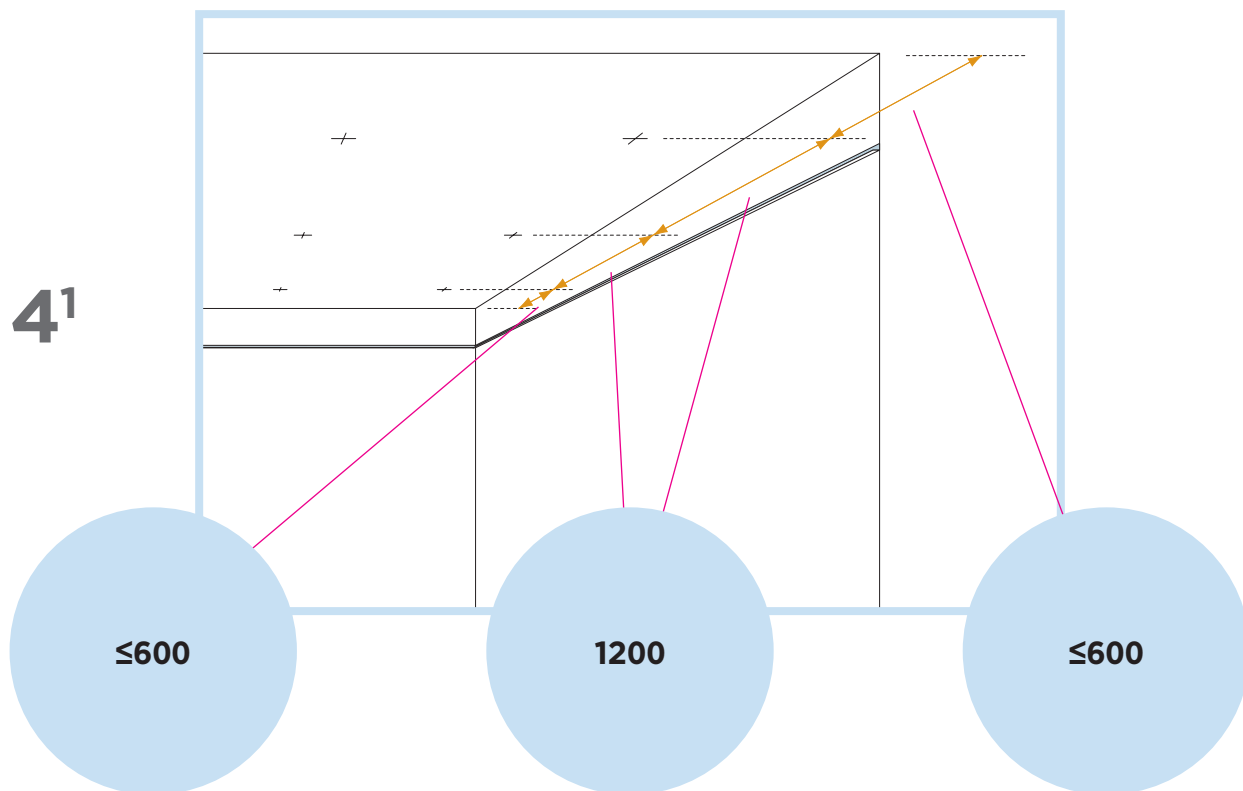
→ 6-8
 $X < 300$

4

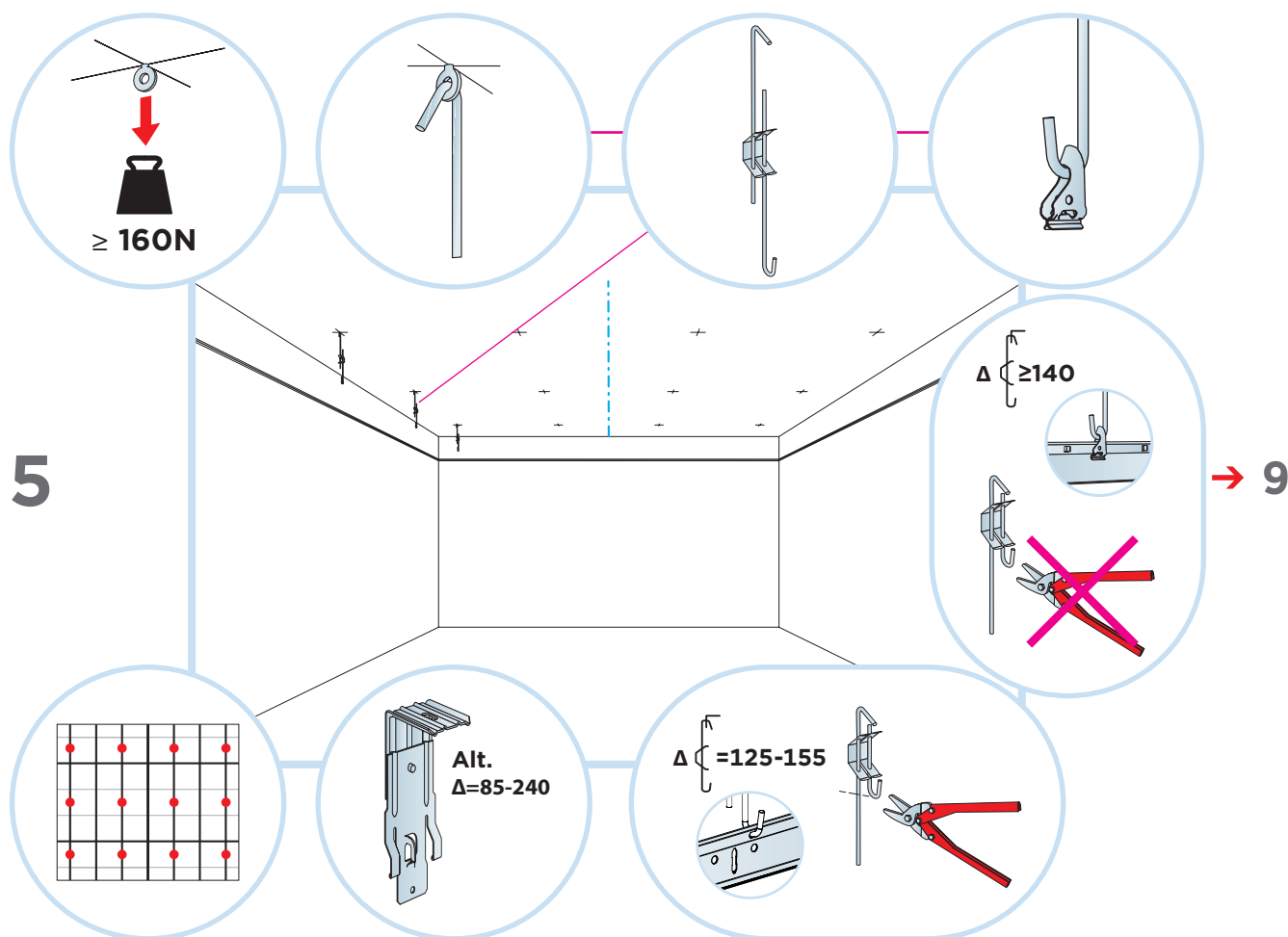


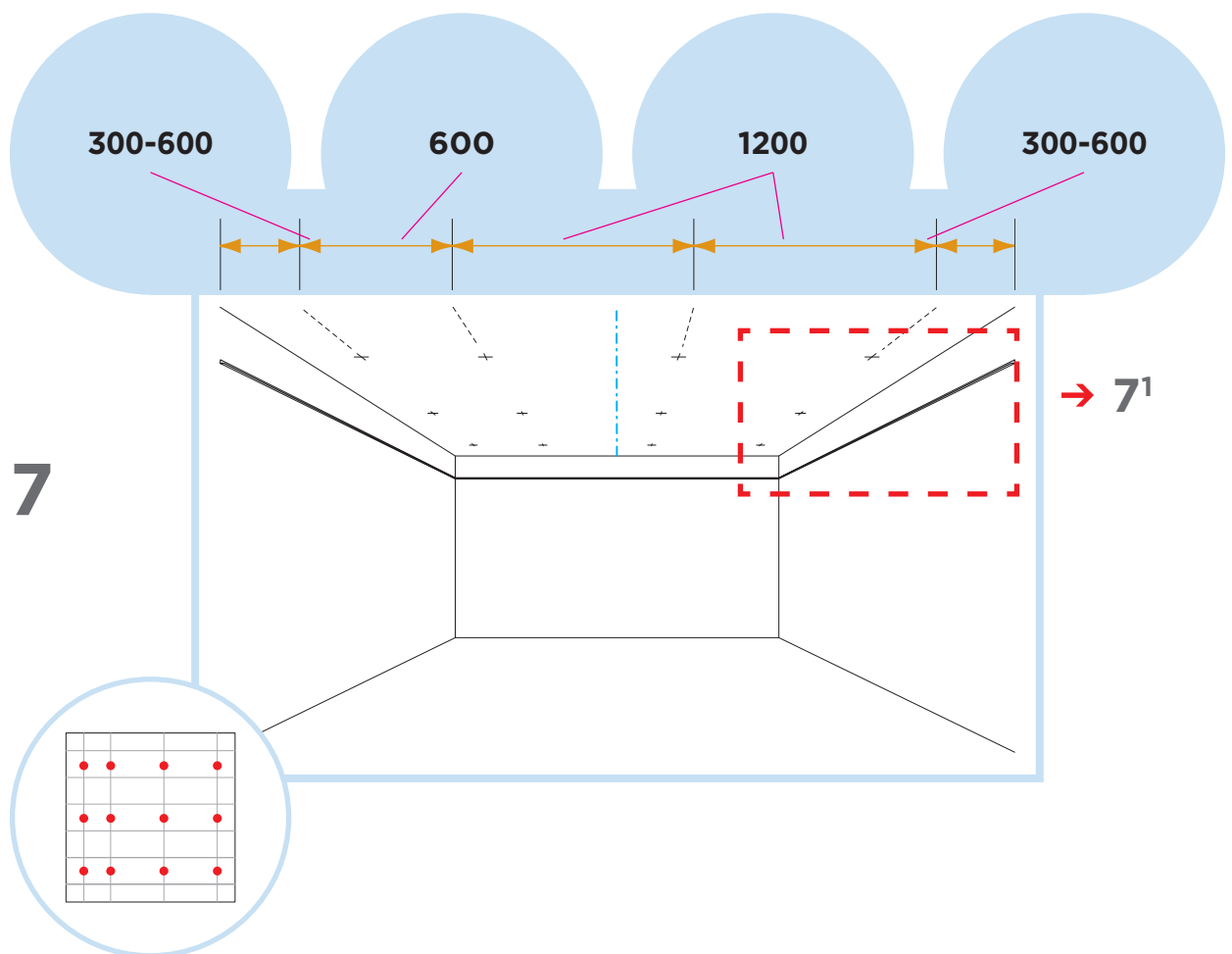
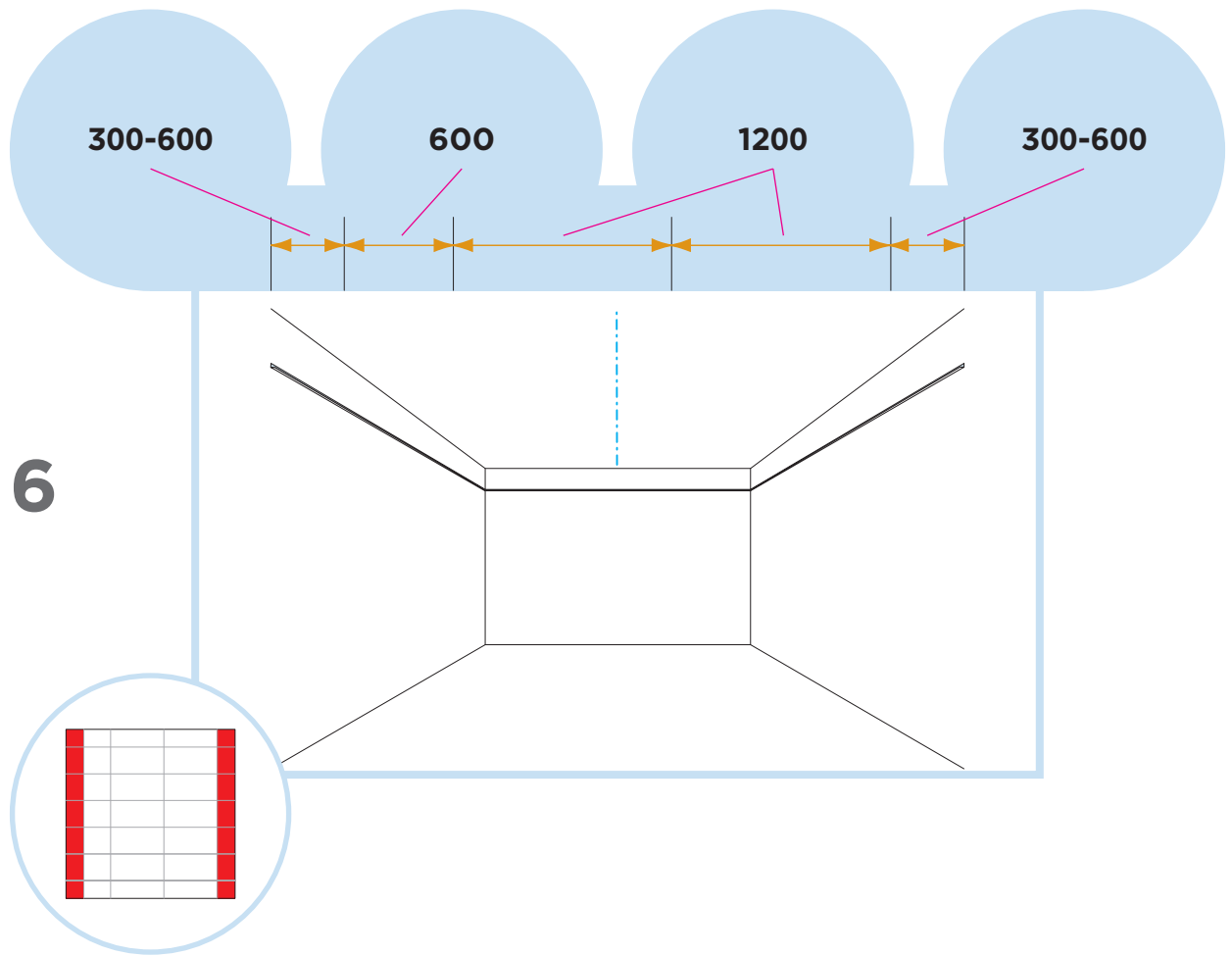
→ 4'

4¹

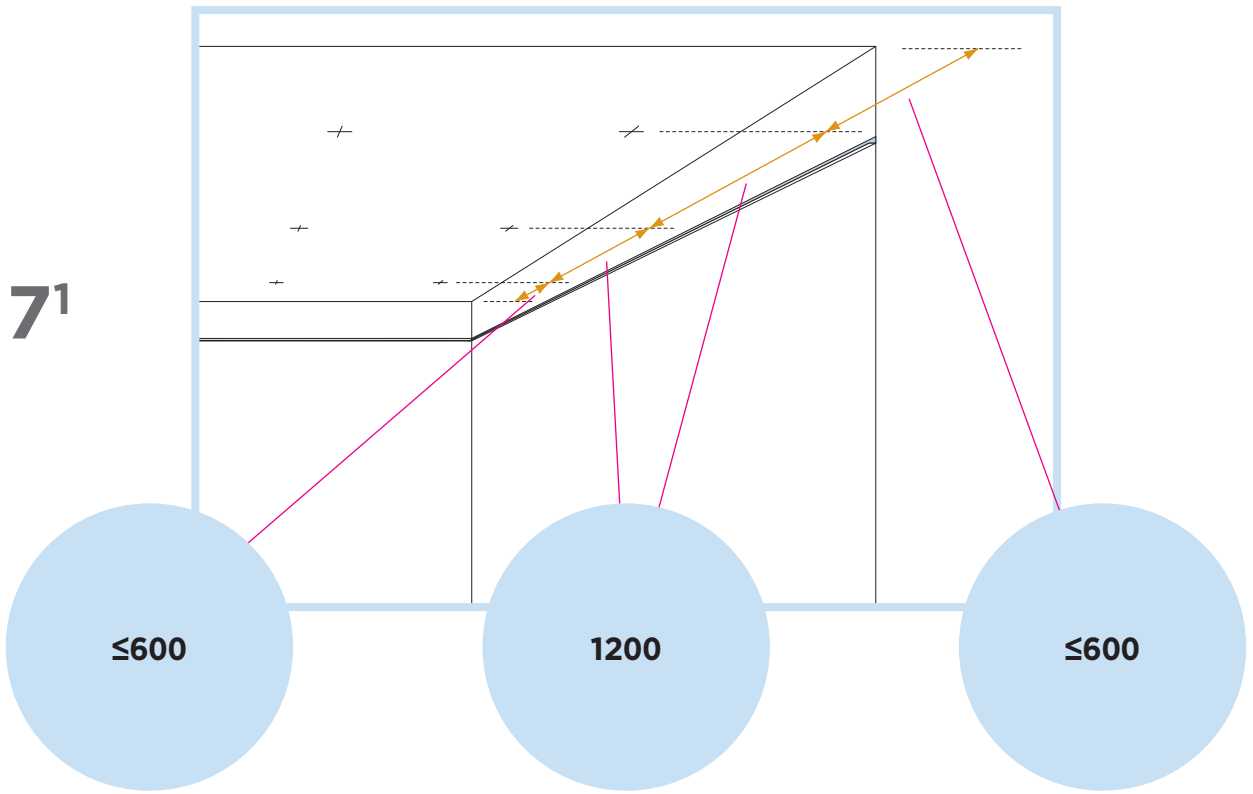


5

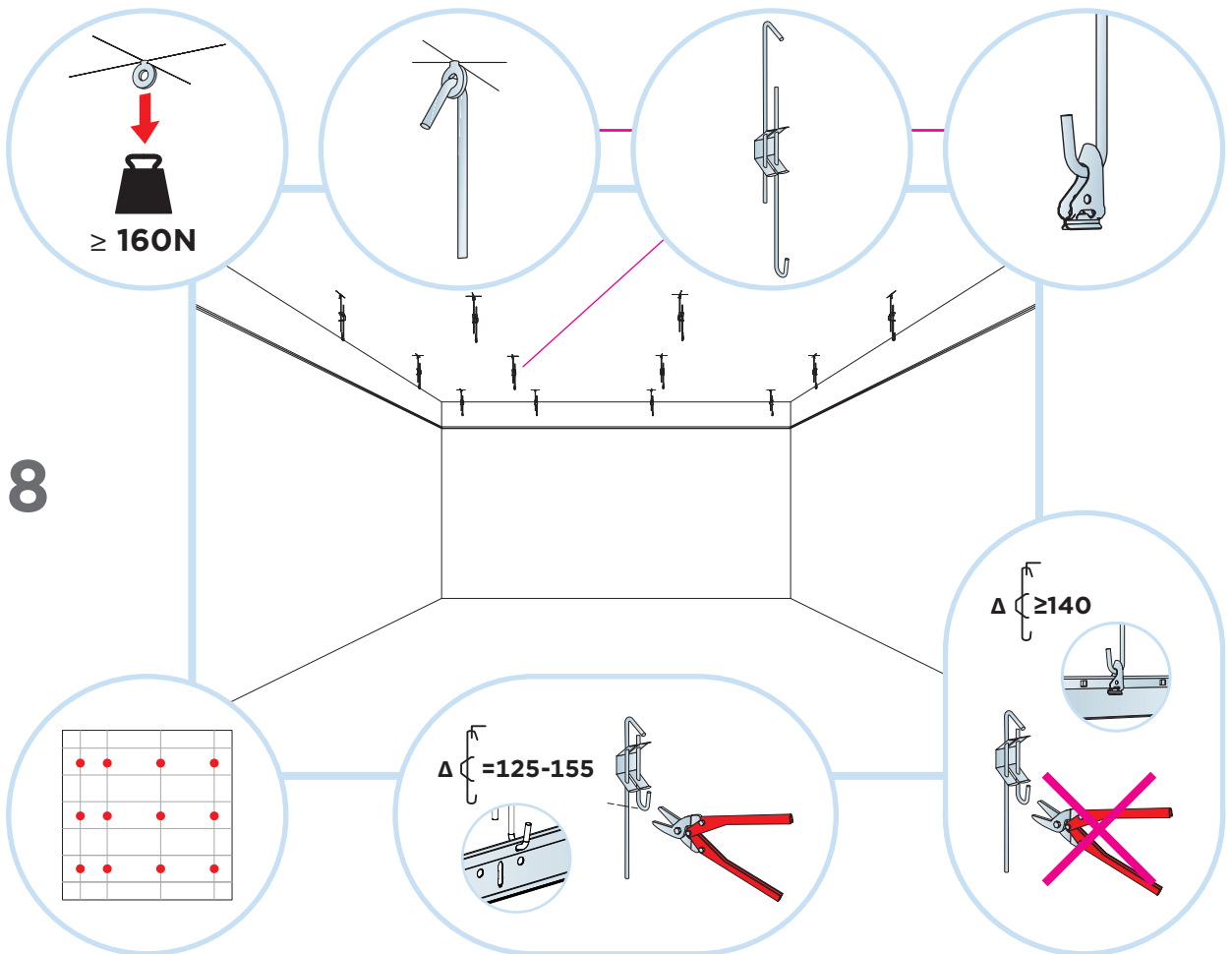


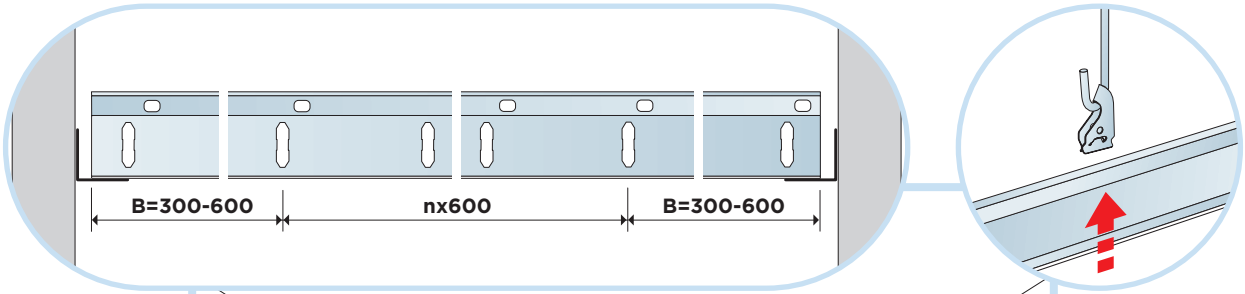


7¹

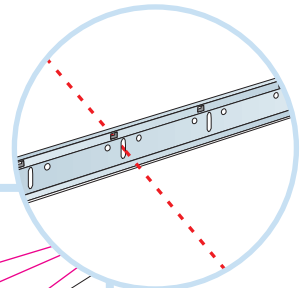
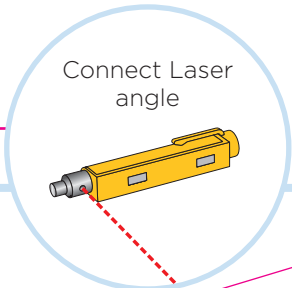
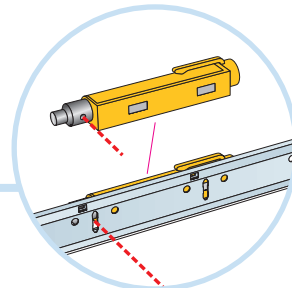
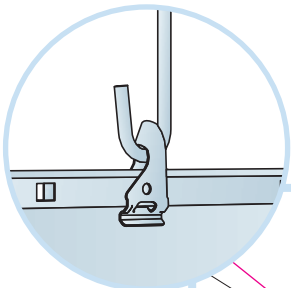
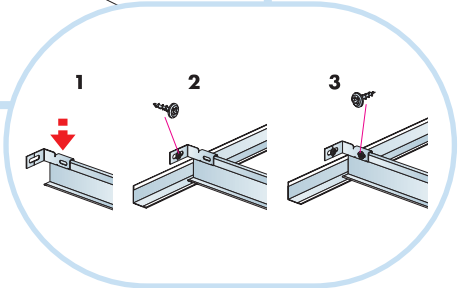
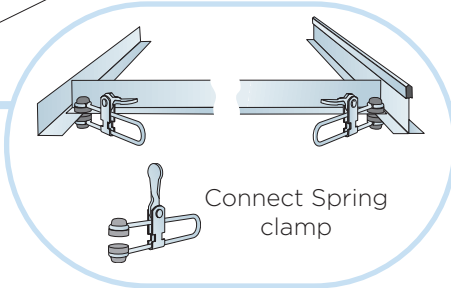
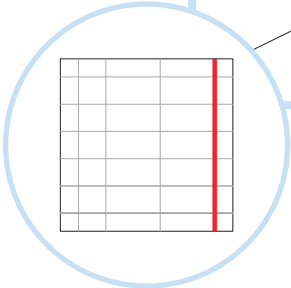
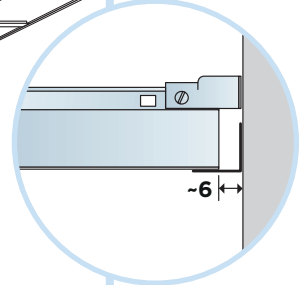
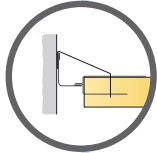


8

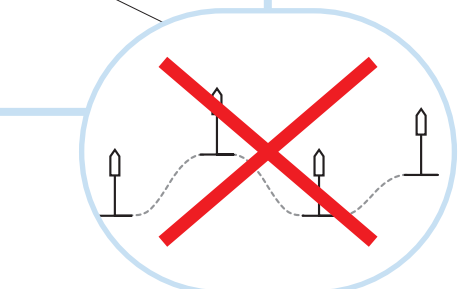
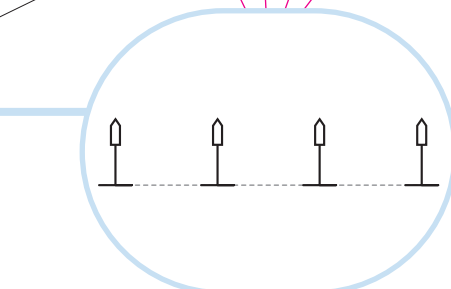
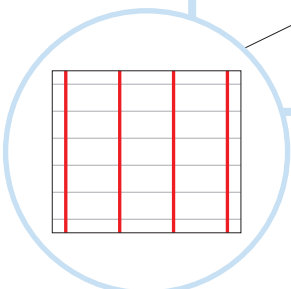


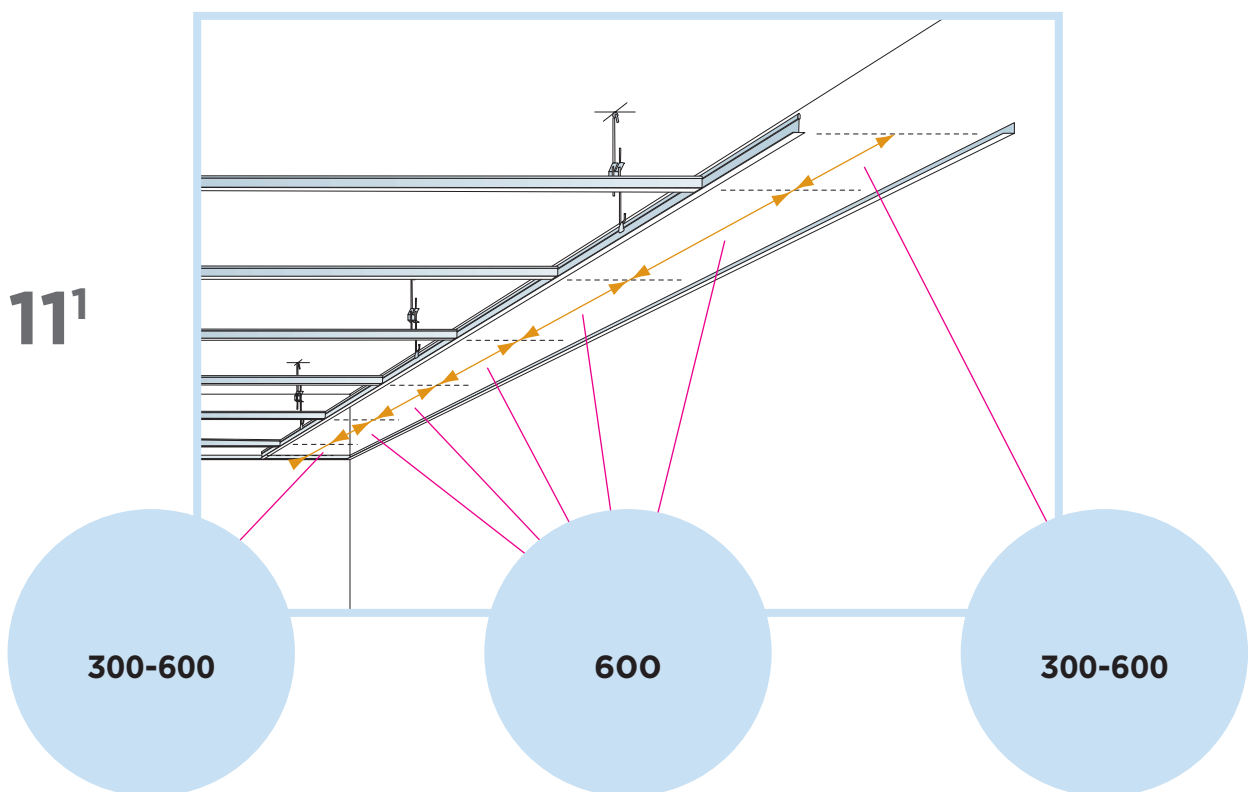
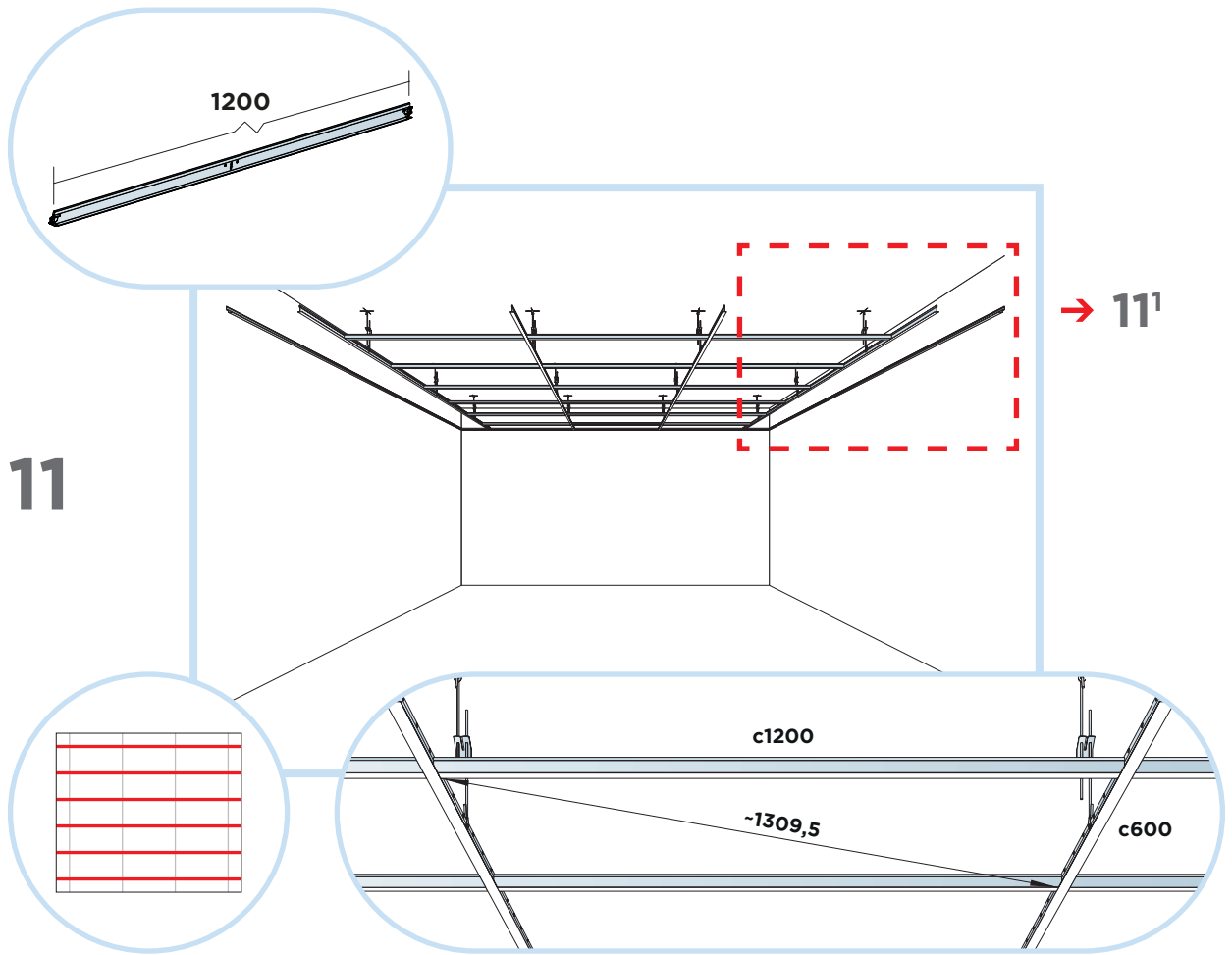


9

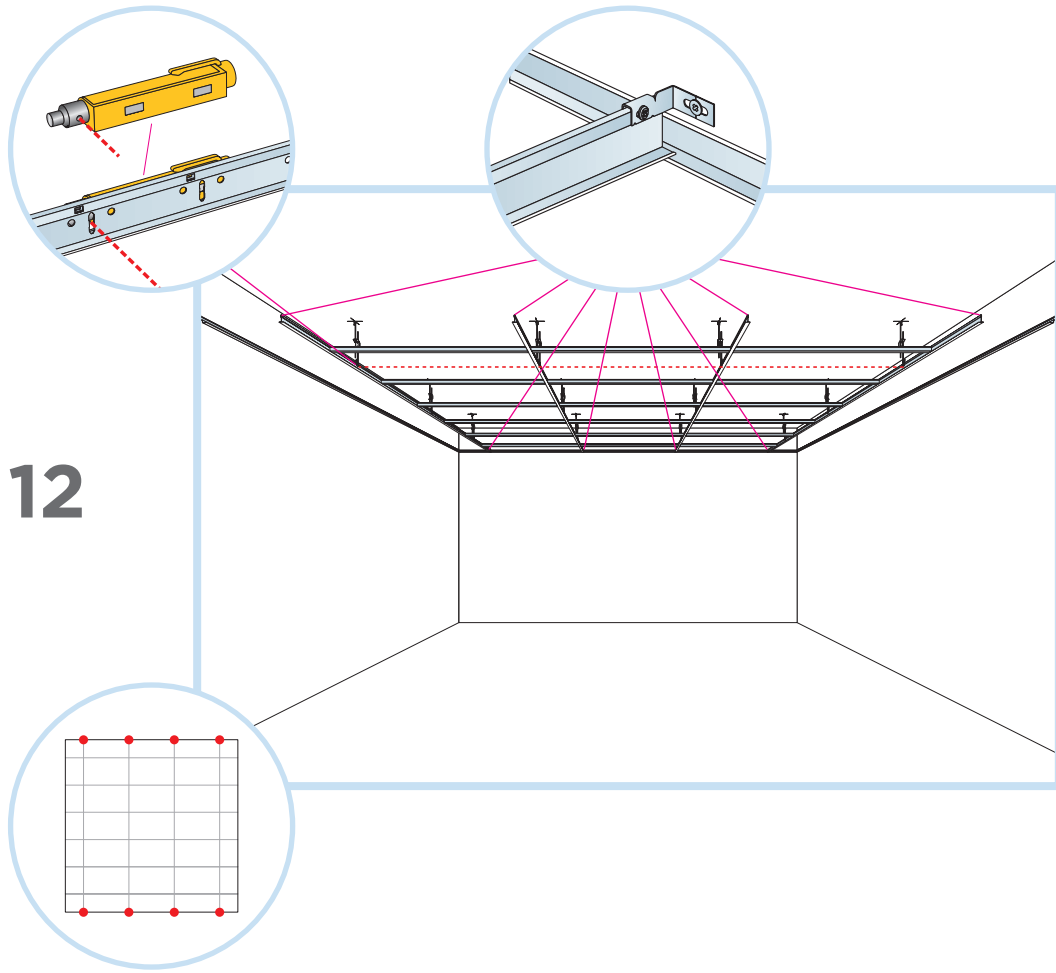


10

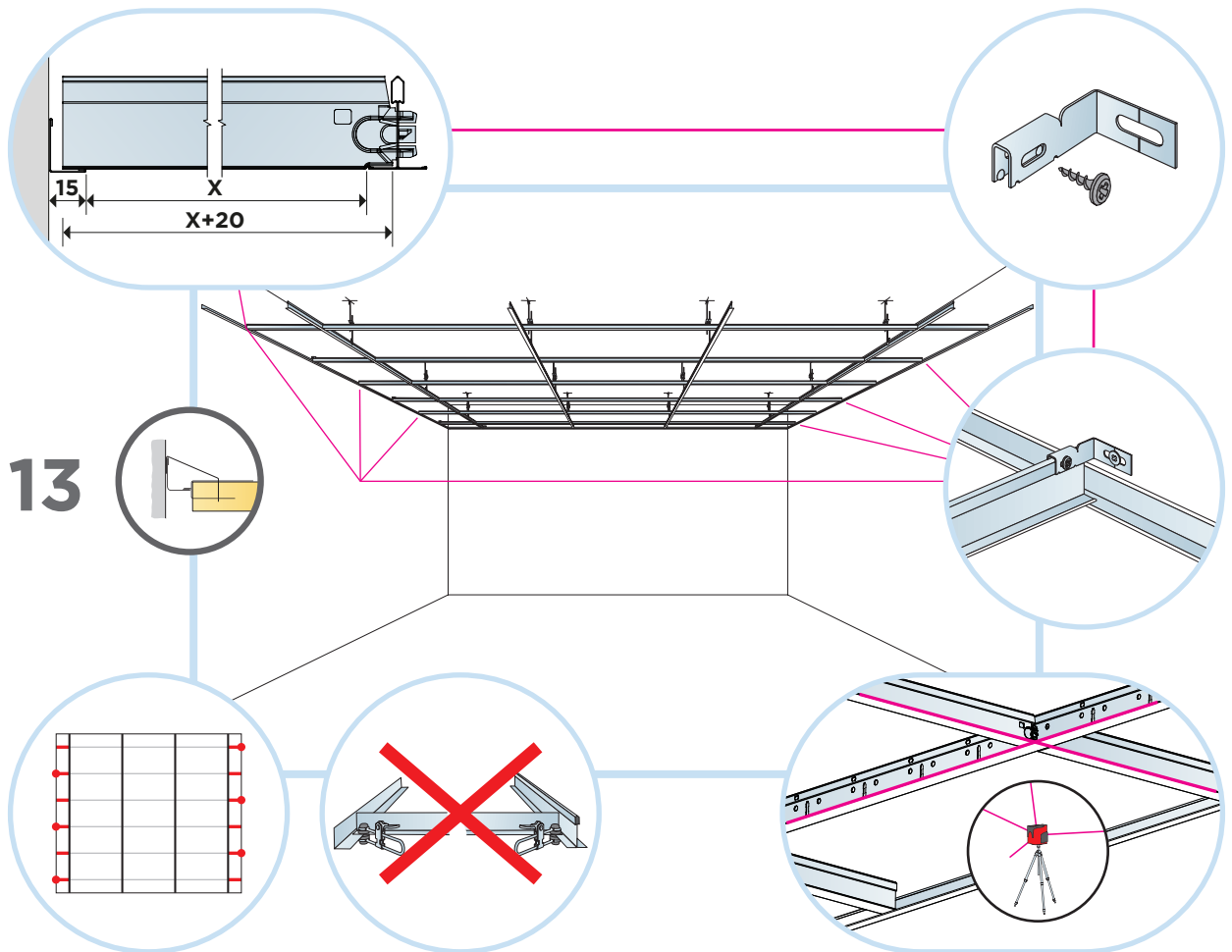


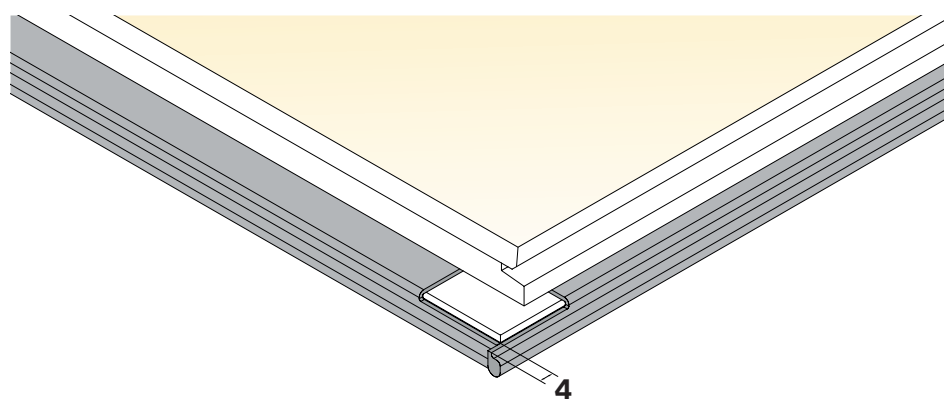
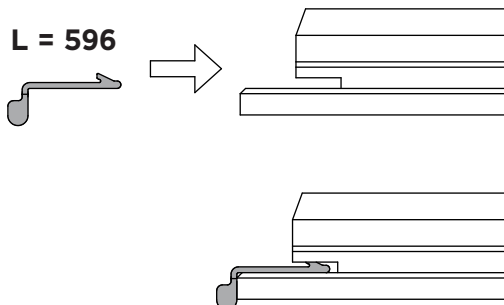
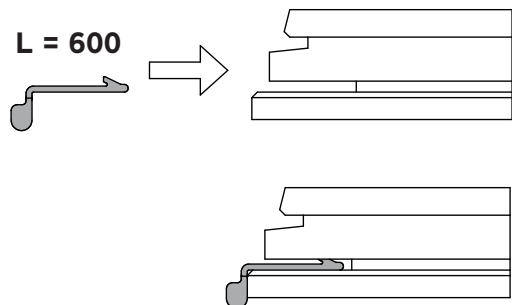
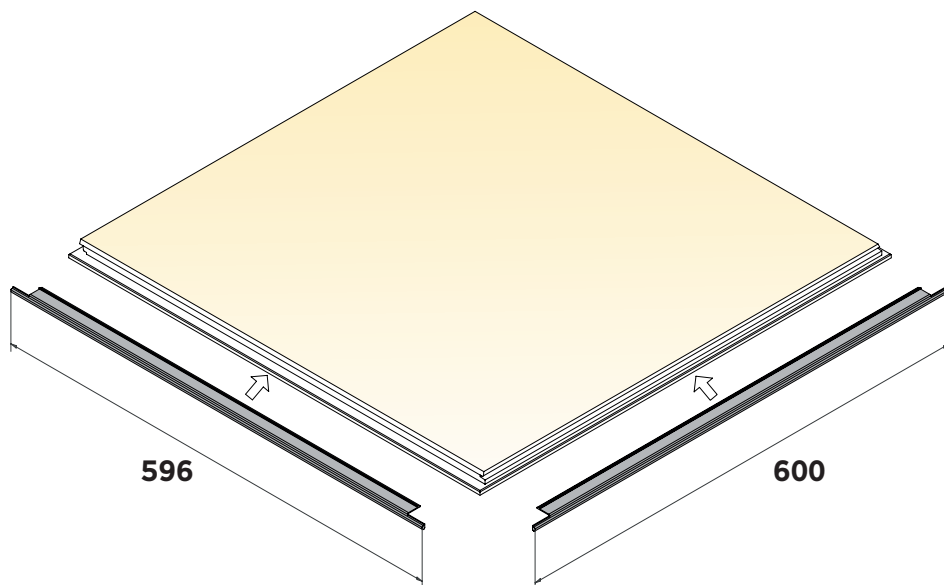


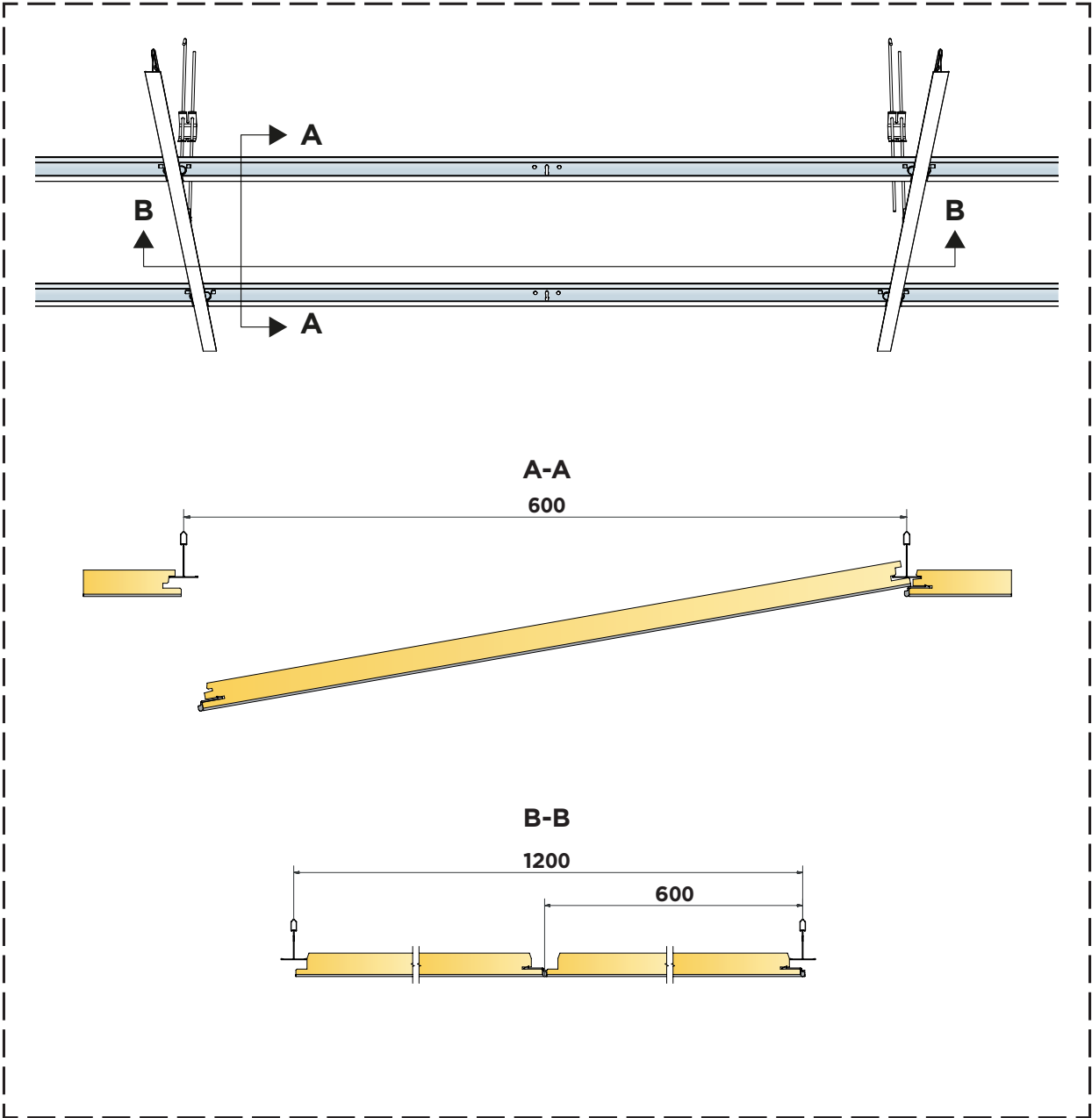
12

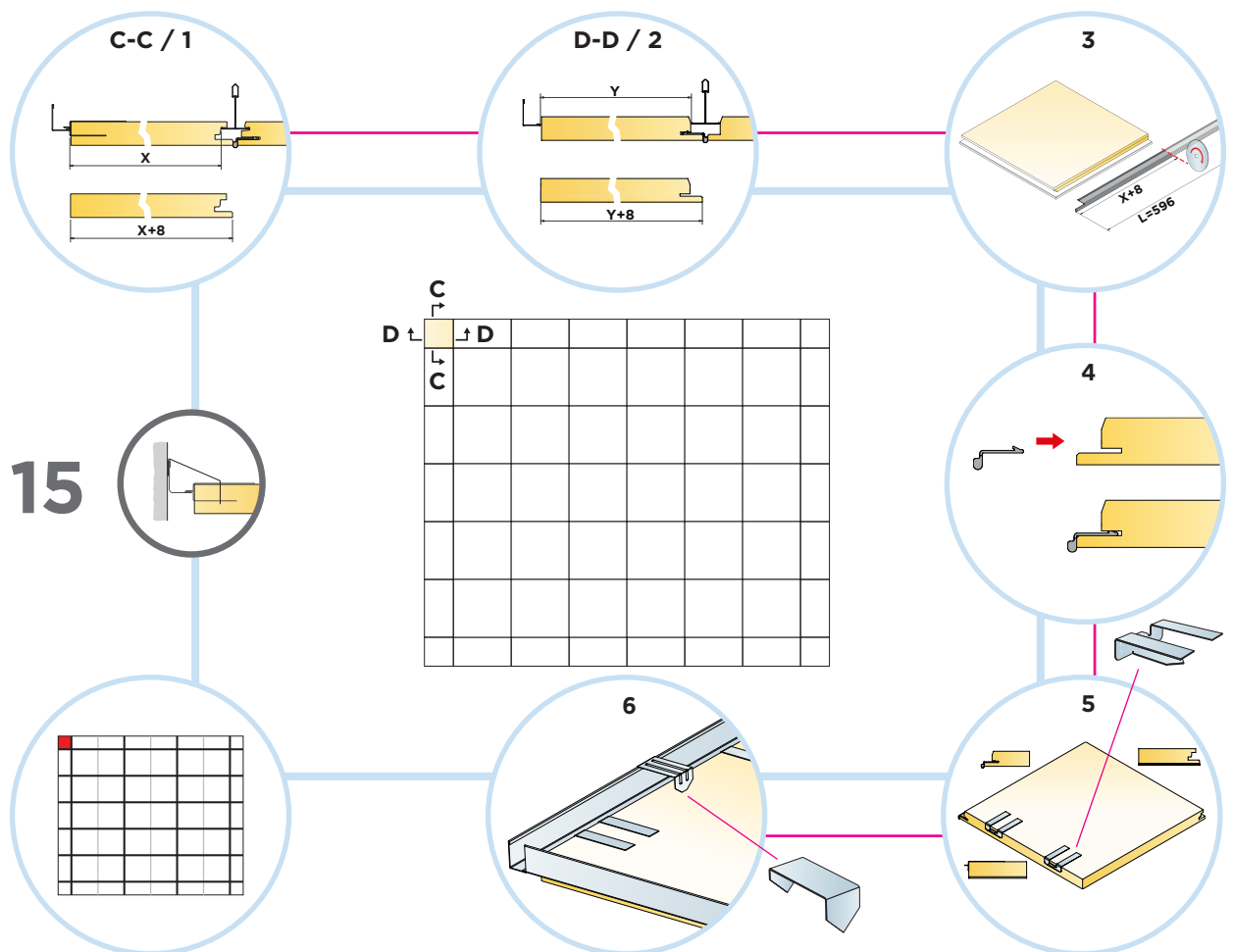
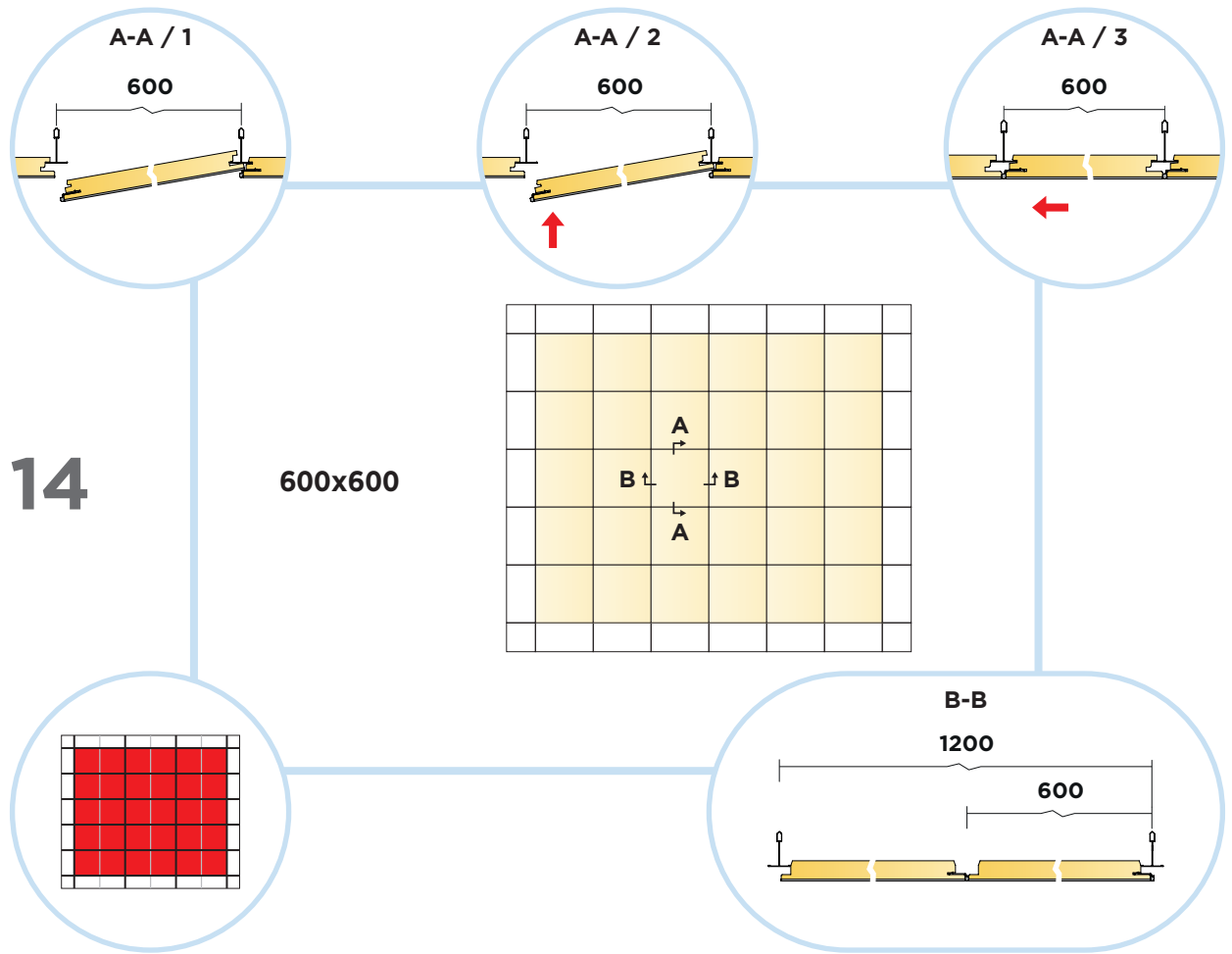


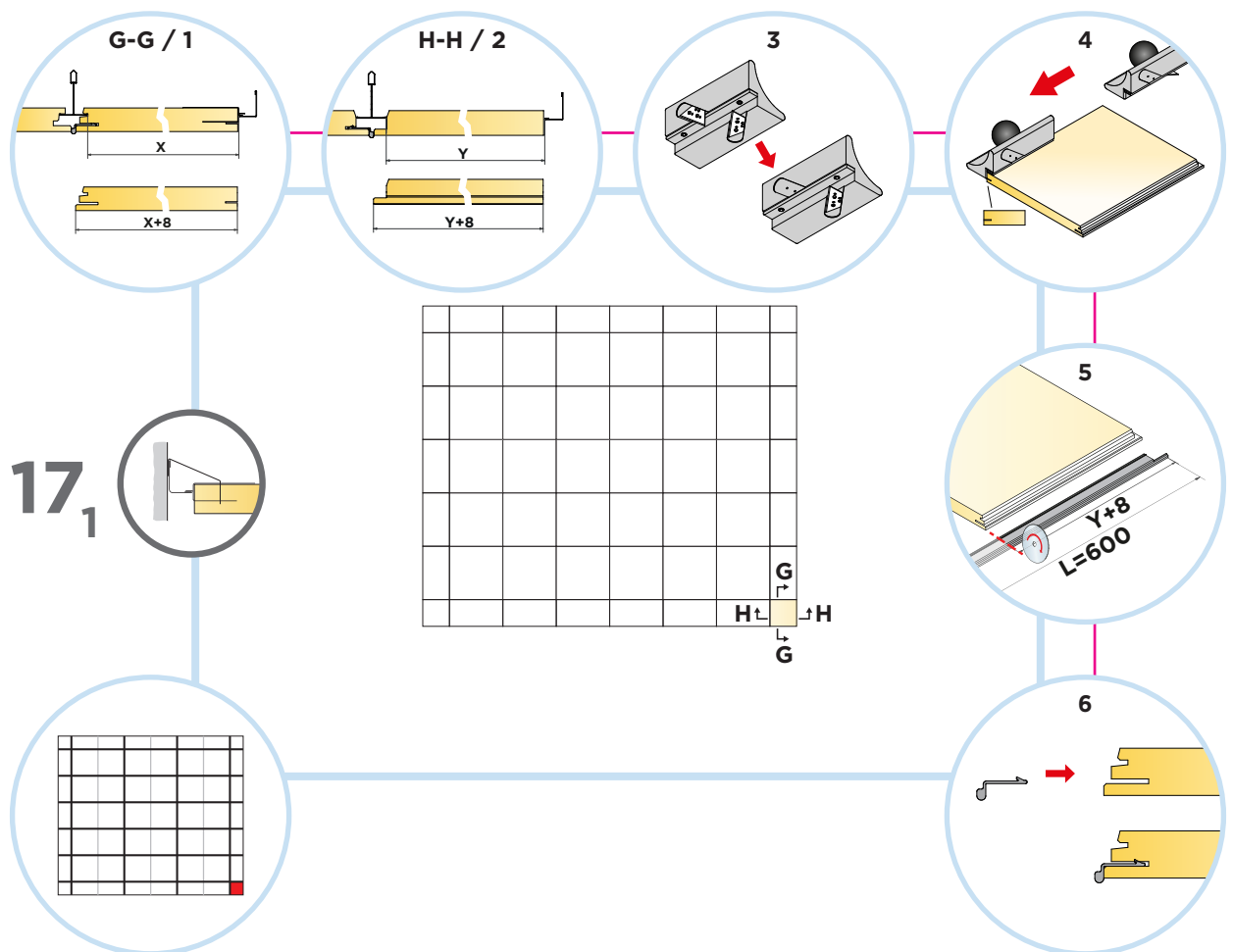
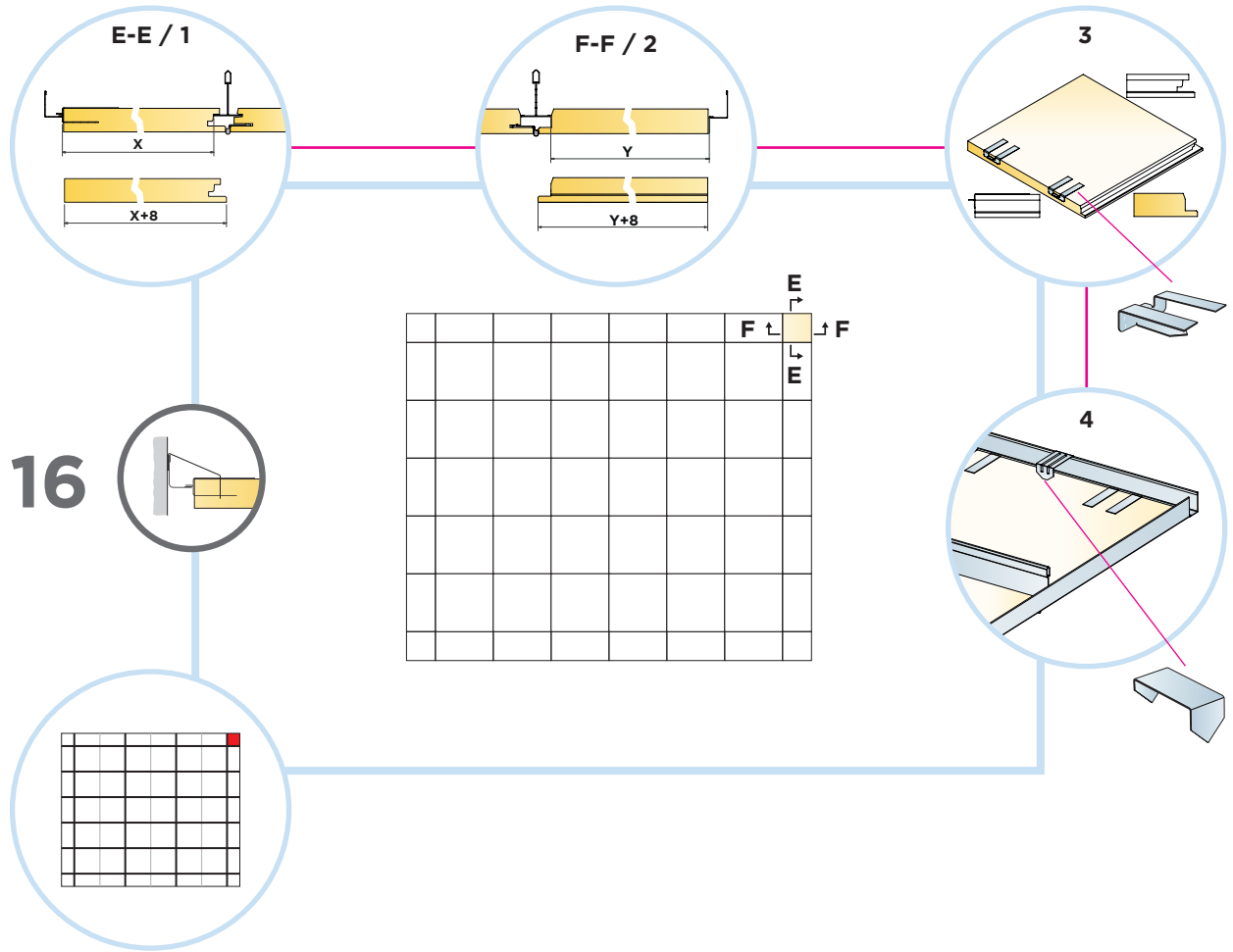
13

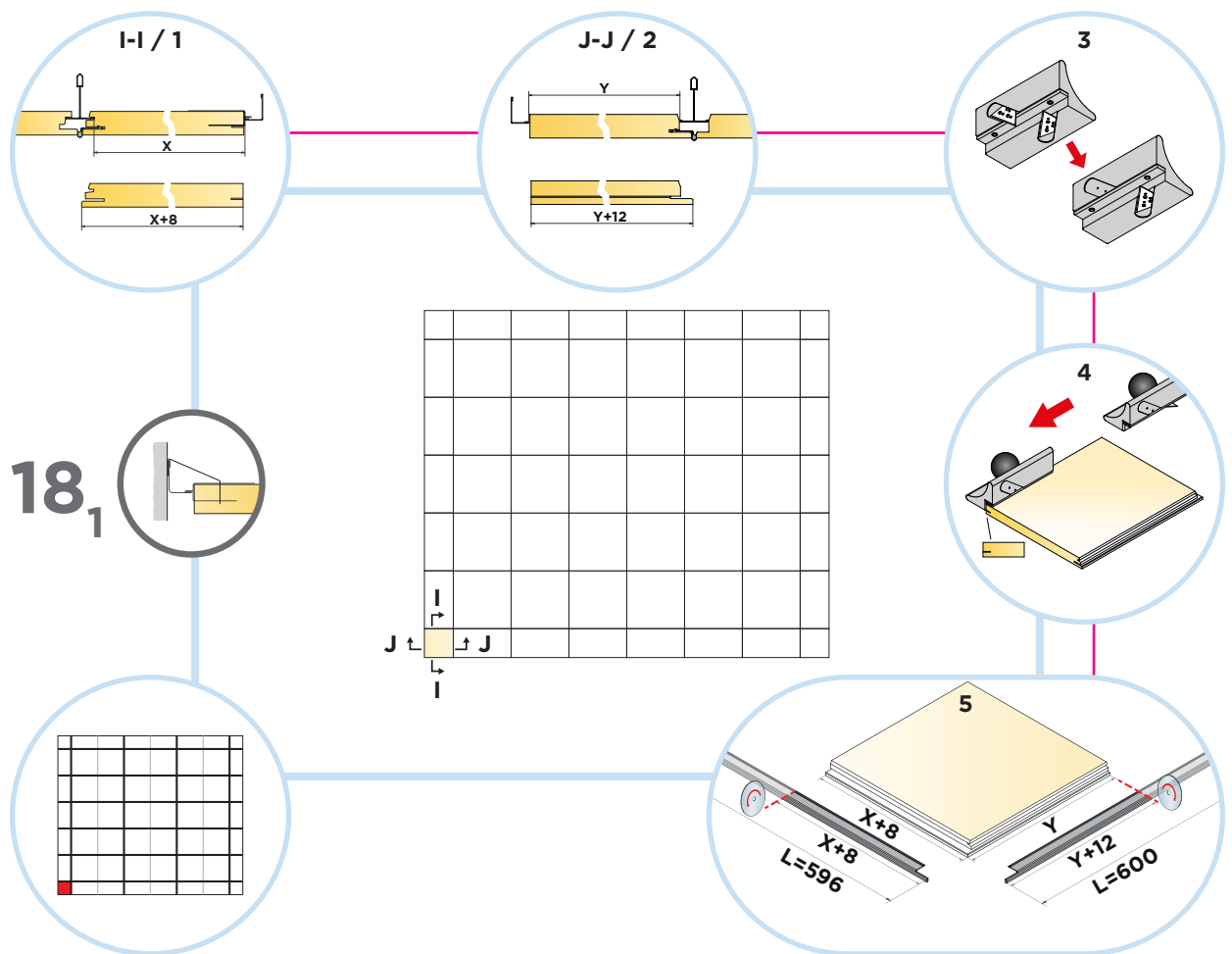
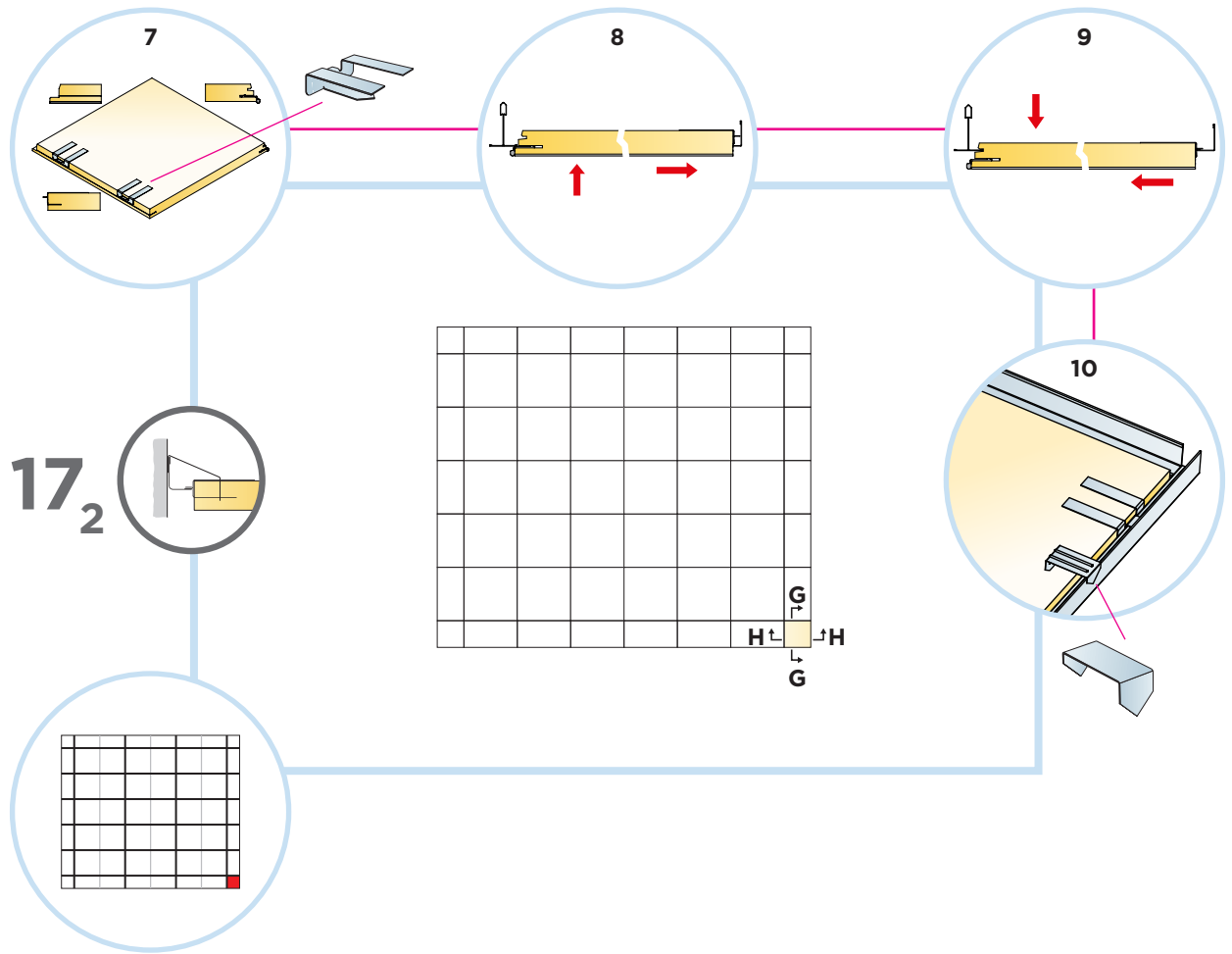


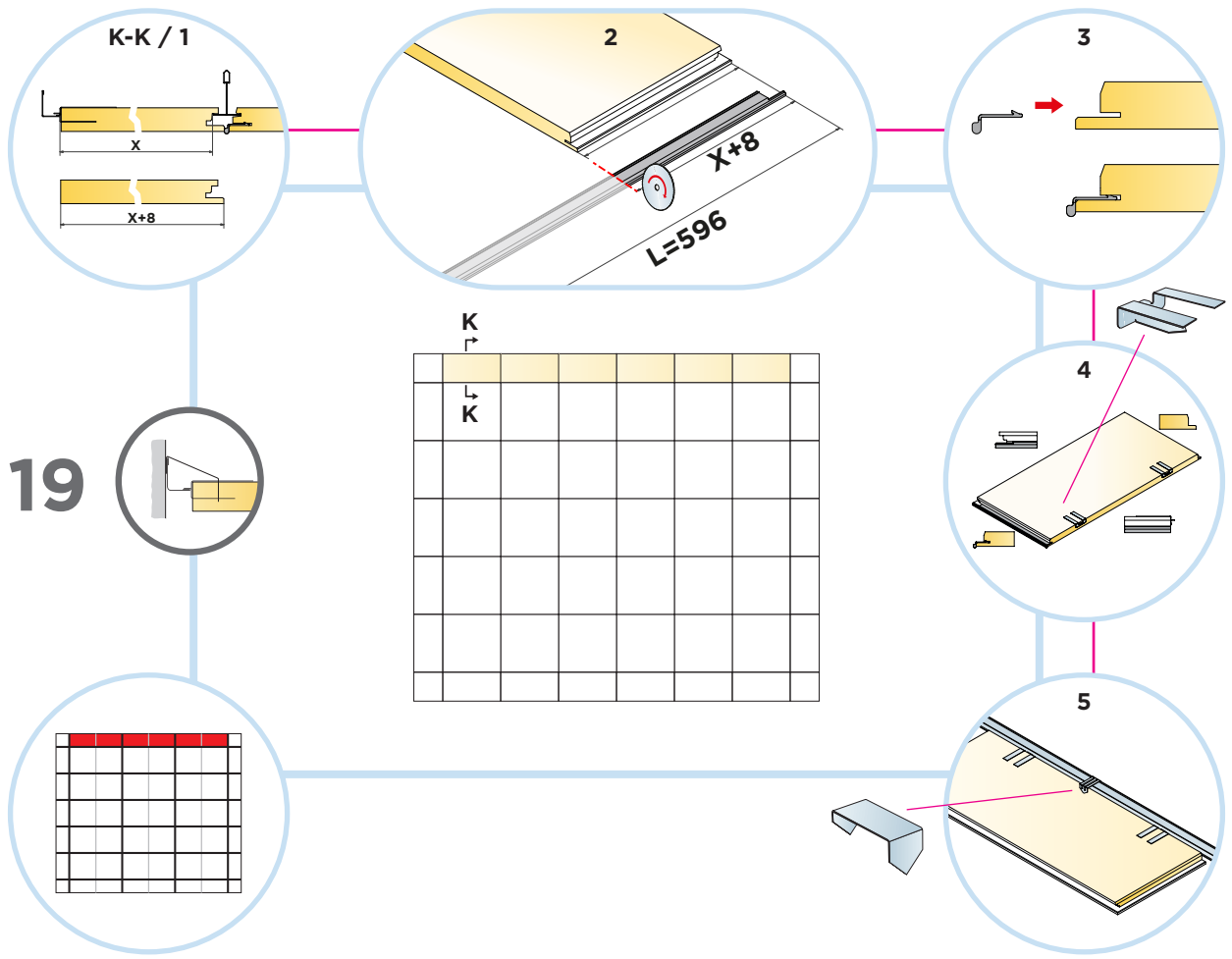
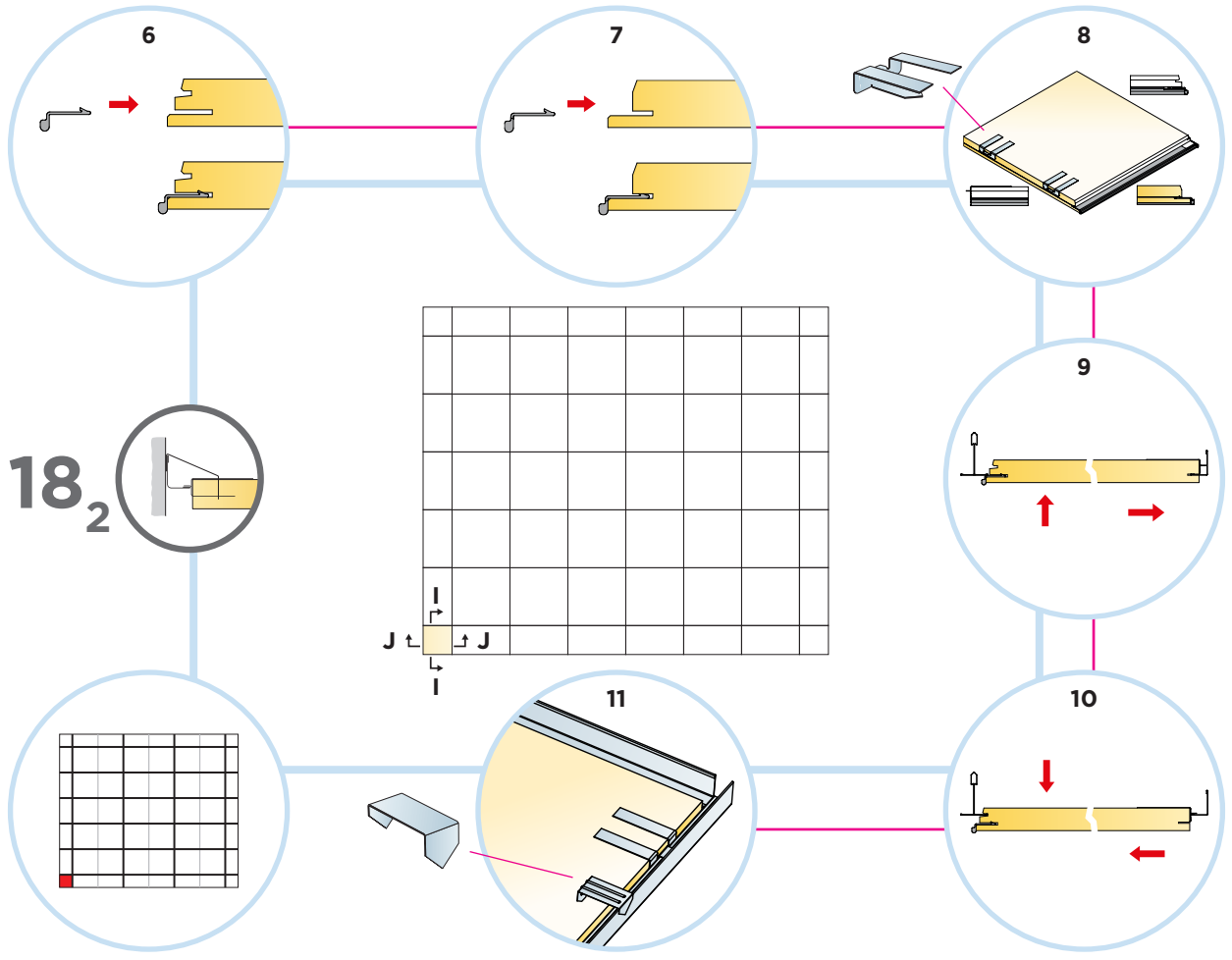


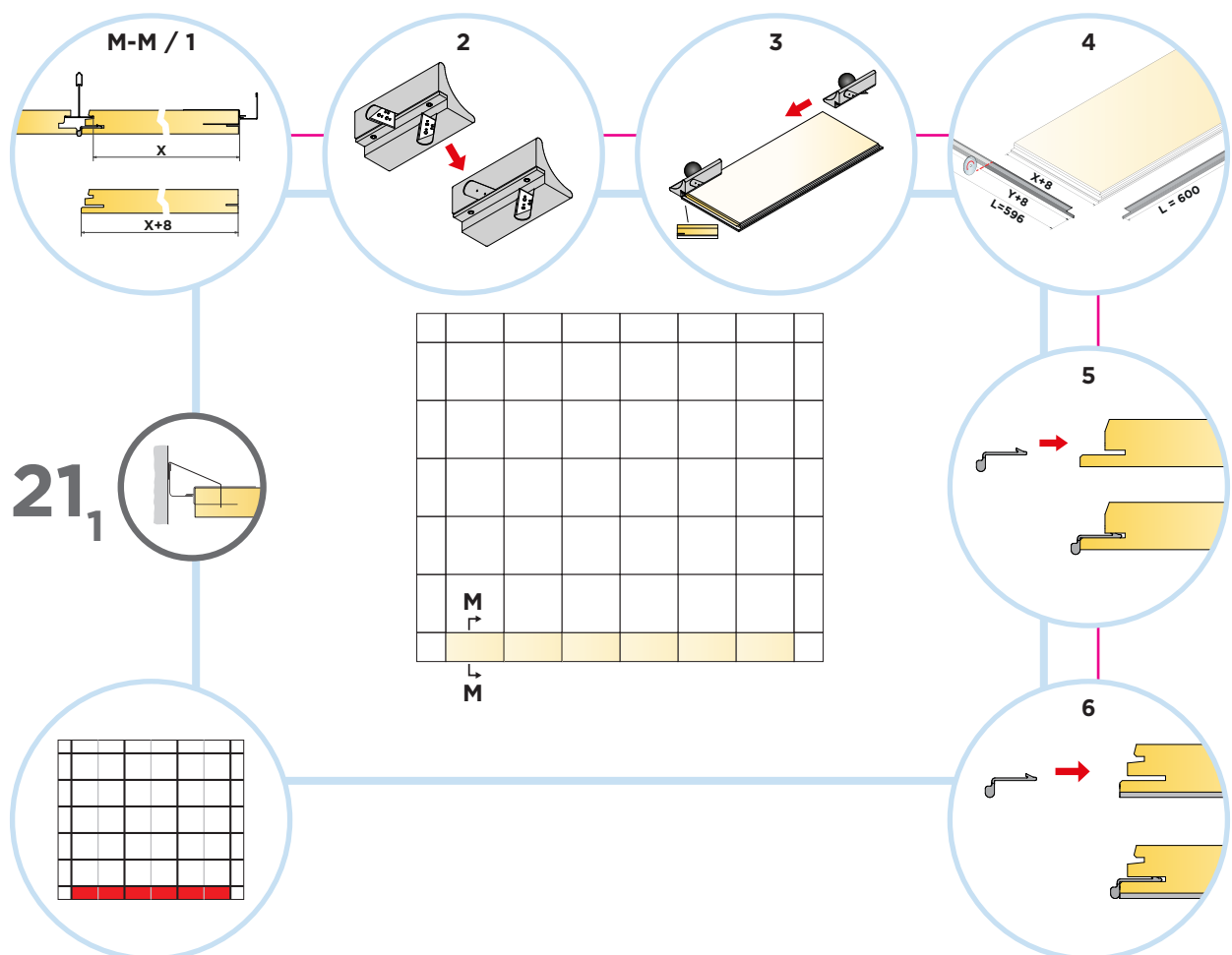
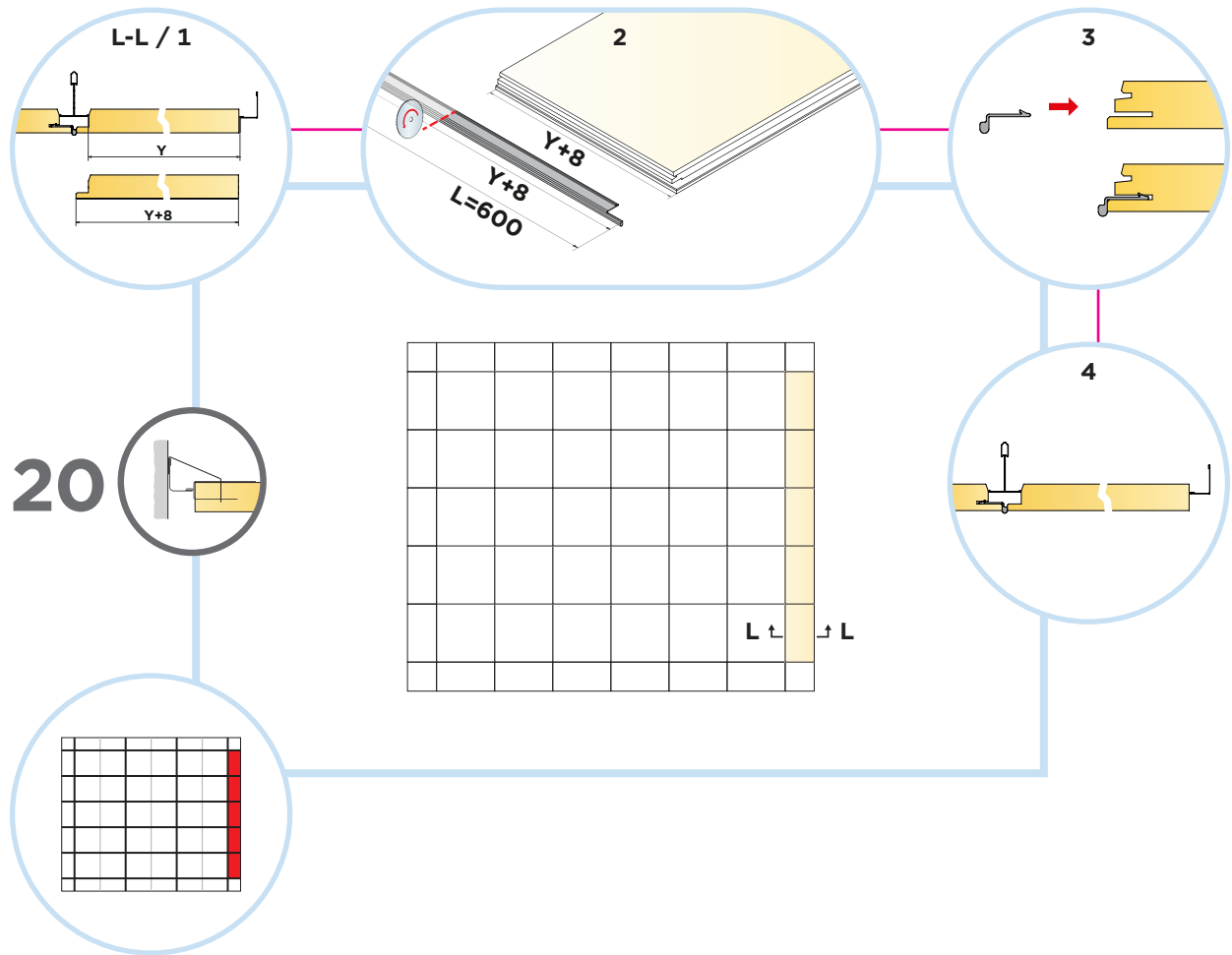


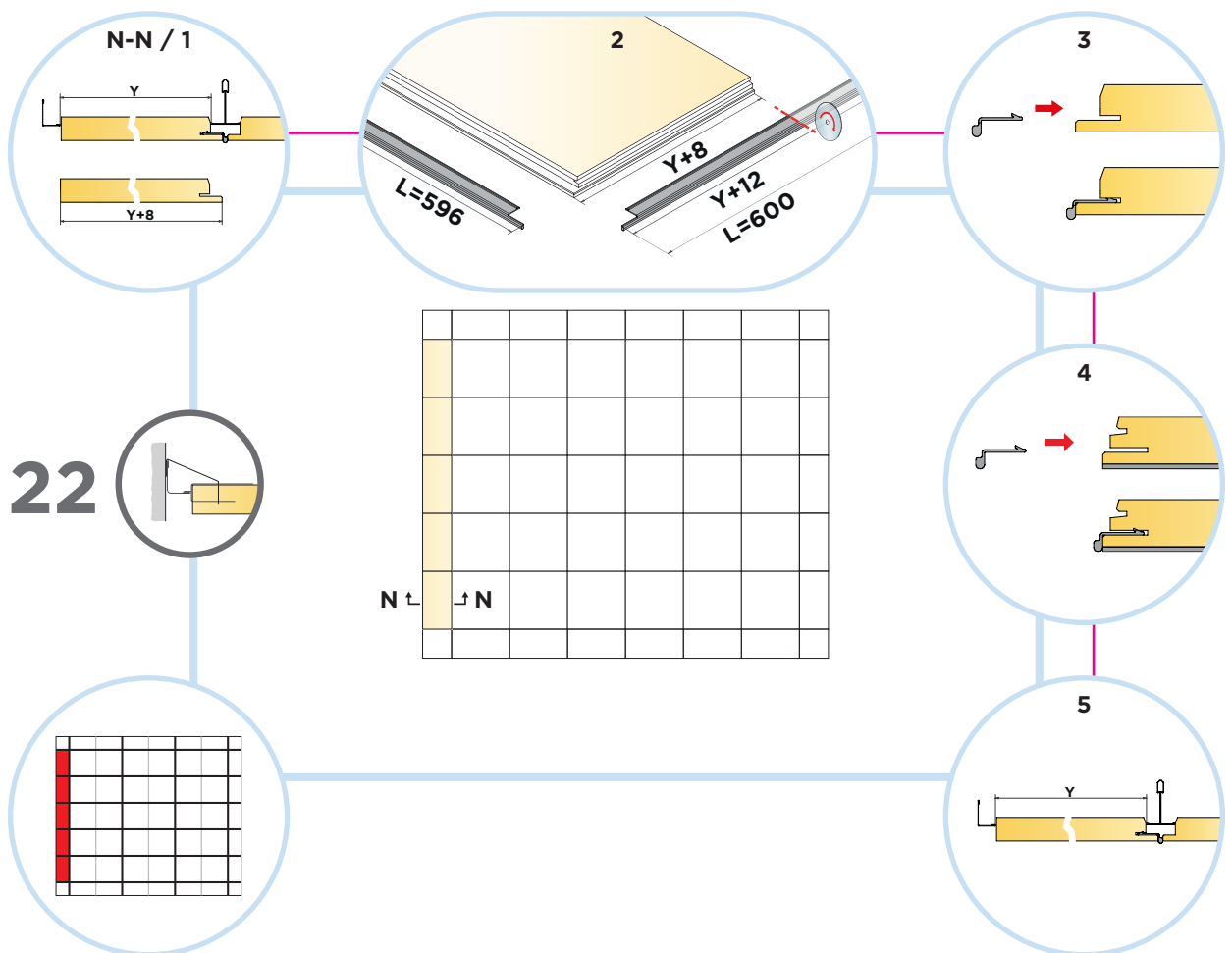
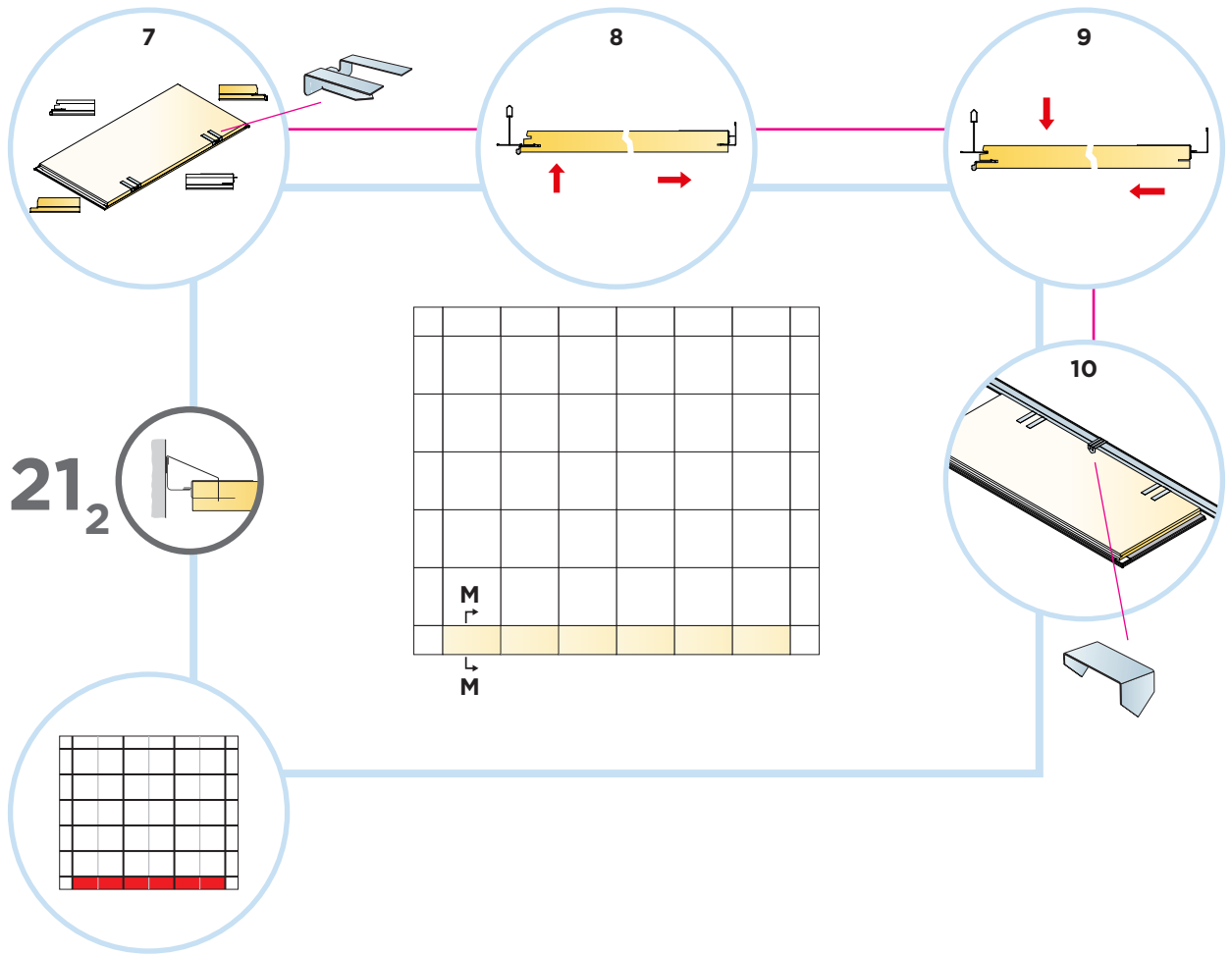


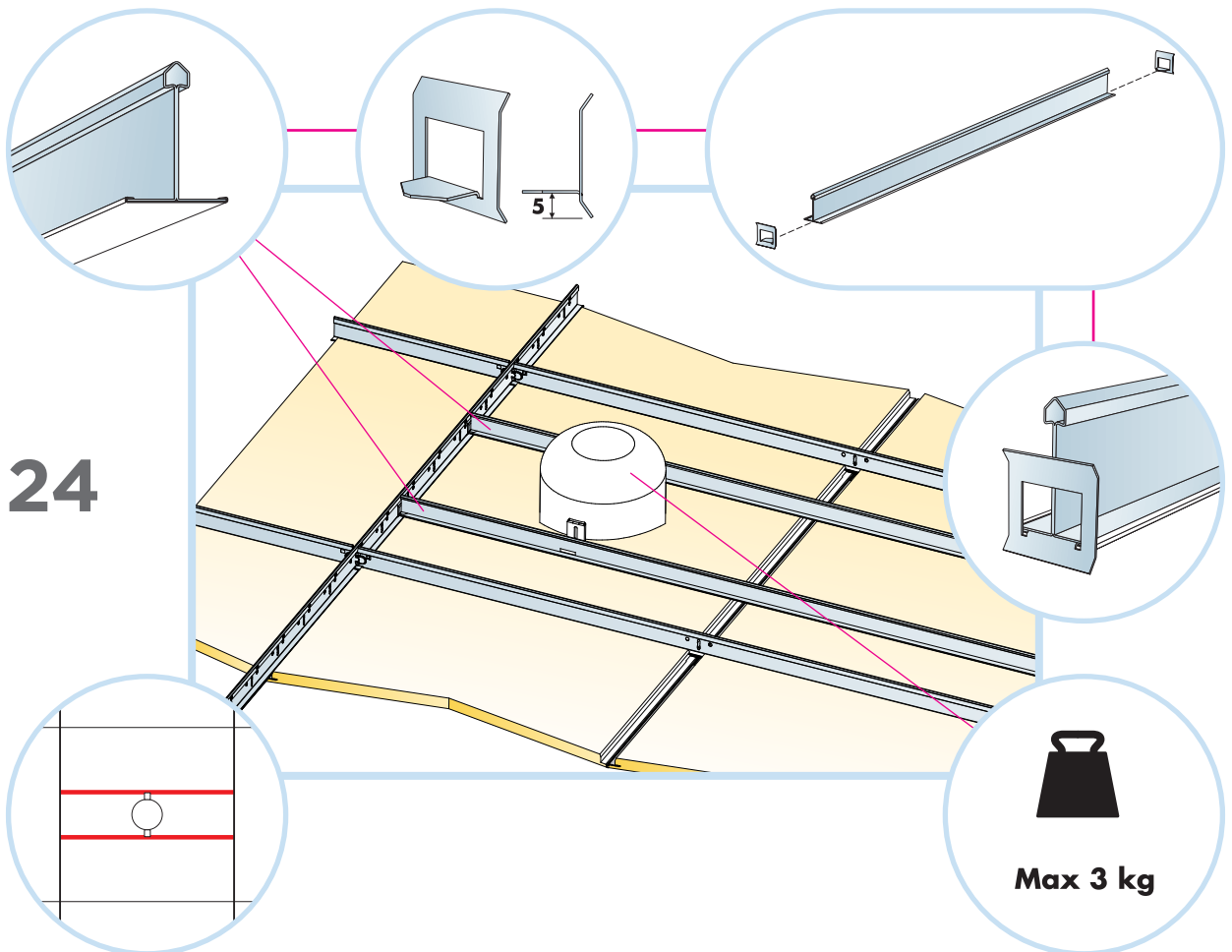
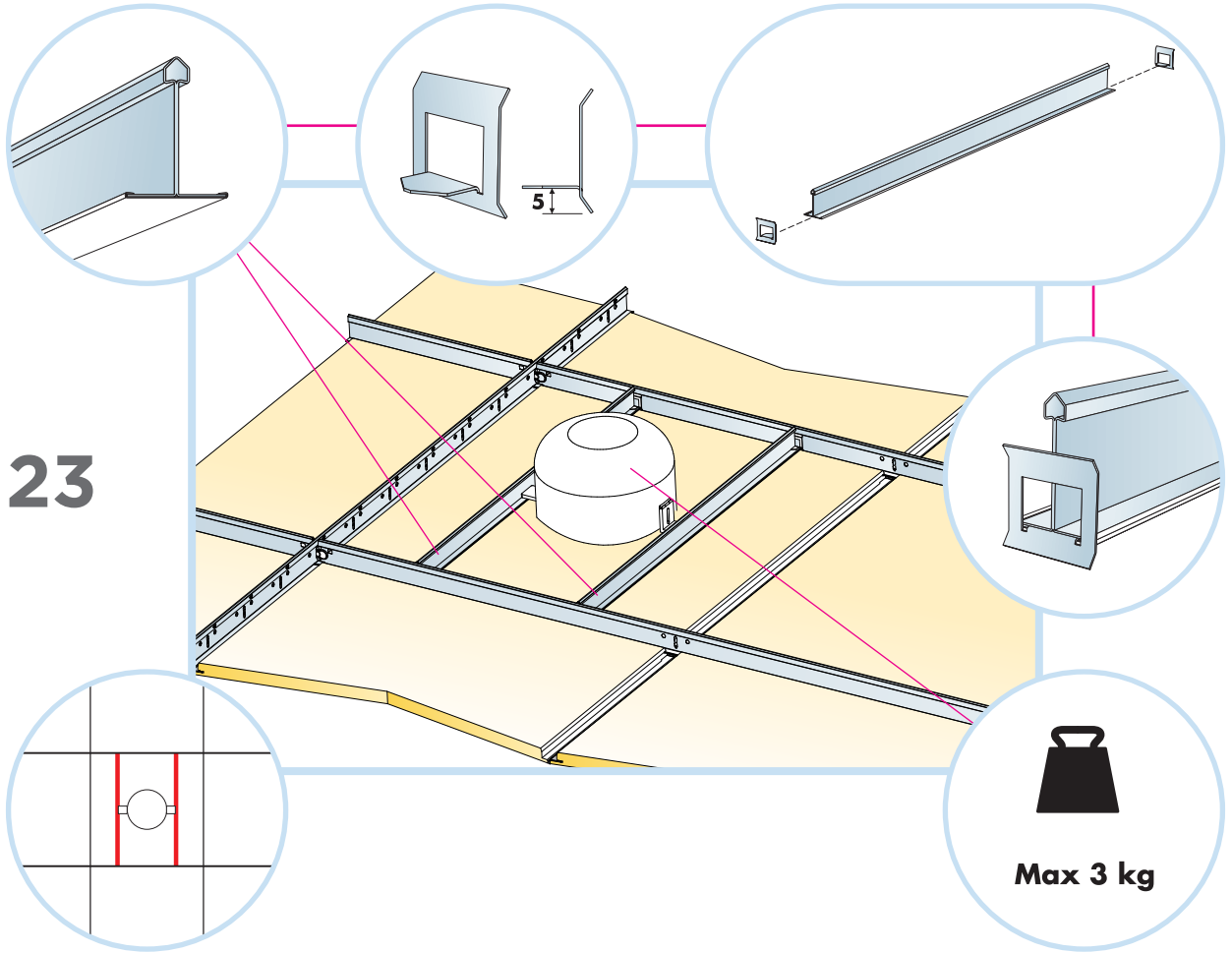


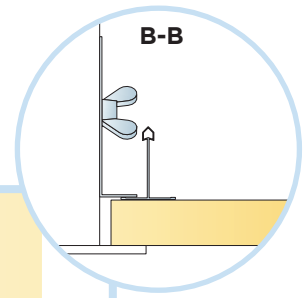
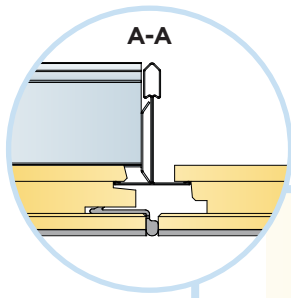






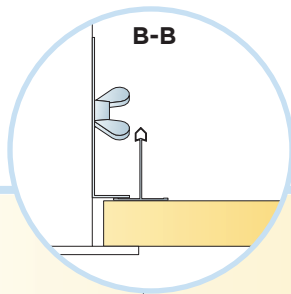
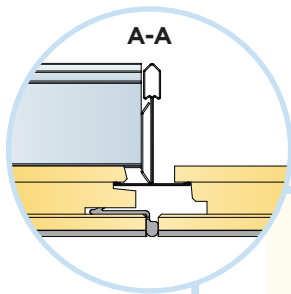
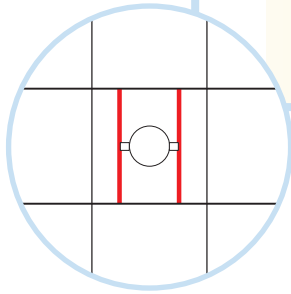
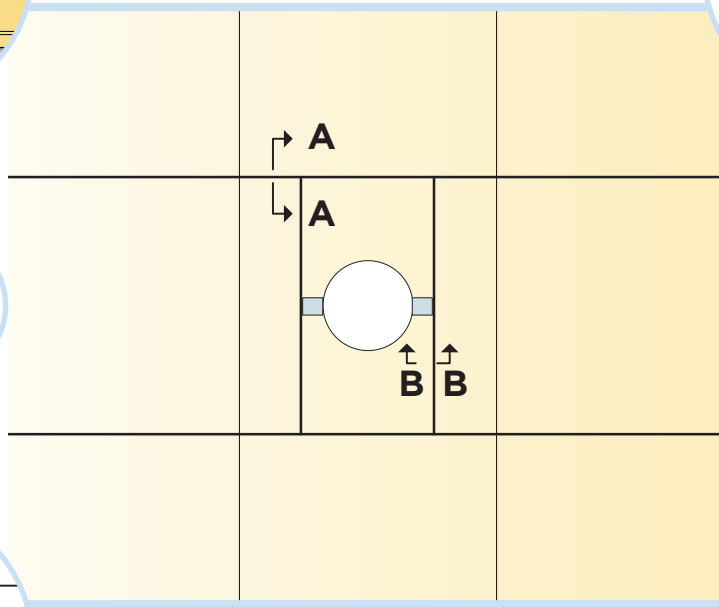






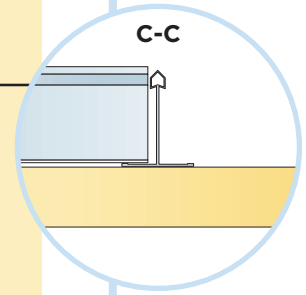
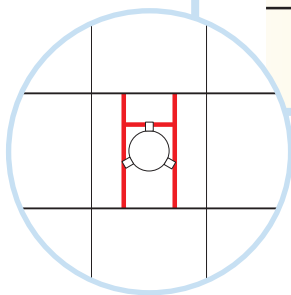
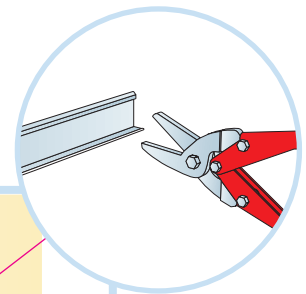
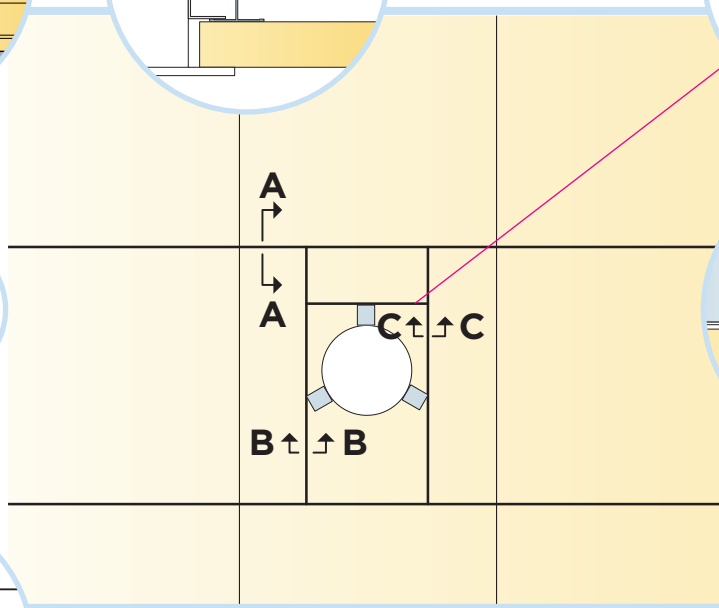
25

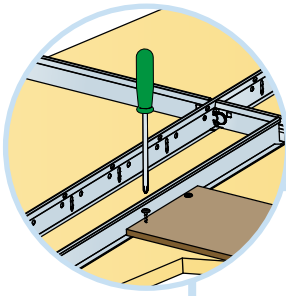
Alt 1



26

Alt 2





27

Alt 3

