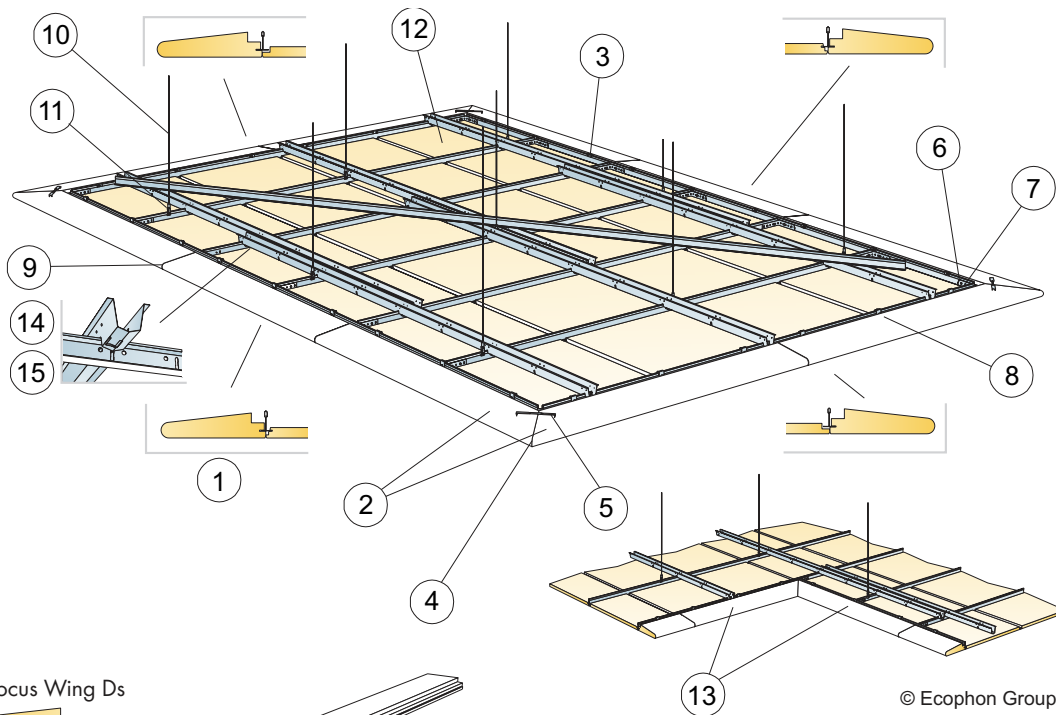
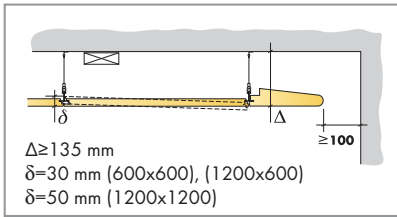


Focus Wing Ds

Focus Ds 600x600, 1200x600, 1200x1200

M209

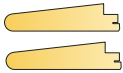


© Ecophon Group

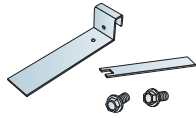
1. Focus Wing Ds



2. Focus Wing Ds/external corner
(incl. in external corner kit)



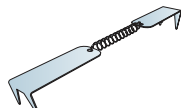
3. Connect Wing Cantilever



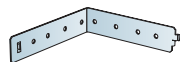
4. Connect Spline



5. Connect Hook



6. Connect L-coupling



7. Connect Installation screw BR



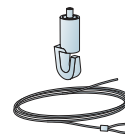
8. Connect Installation screw MVL



9. Connect Wing Distance



10. Connect Adjustable wire hanger

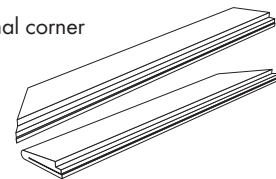


11. Connect Hanger clip

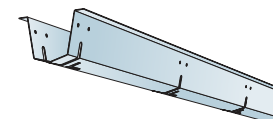


12. Focus Ds system with Connect Main runner HD on all four sides

13. Focus Wing Ds/internal corner



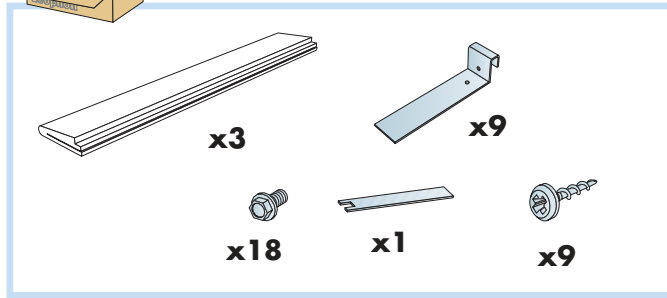
14. Connect Spacebar



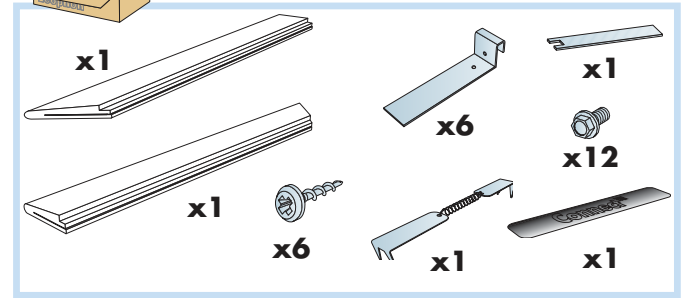
15z. Connect Spacebar winch



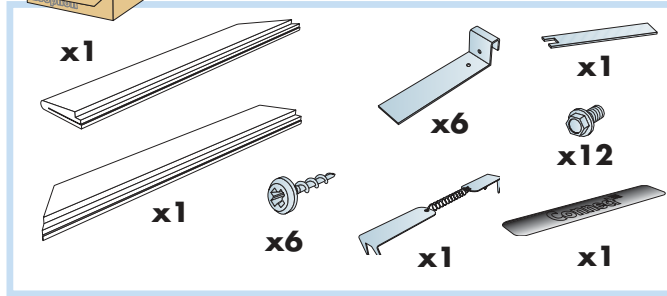
 Kit Ds



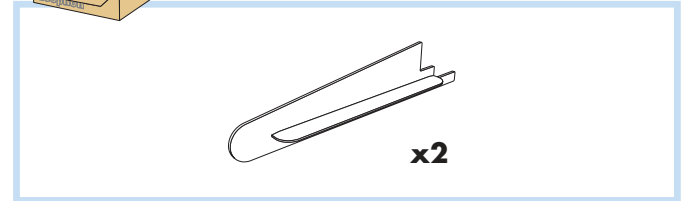
 External Corner Kit Ds



 Internal Corner Kit Ds



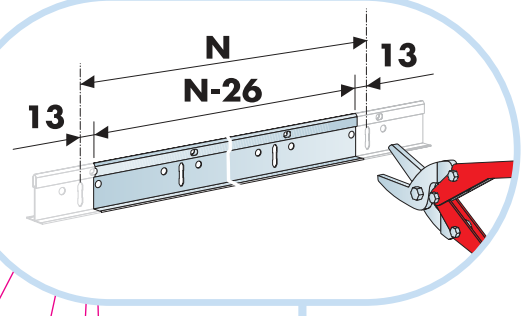
 Connect Wing Distance Ds



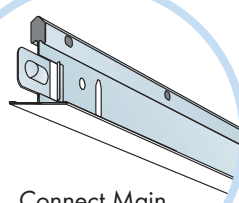
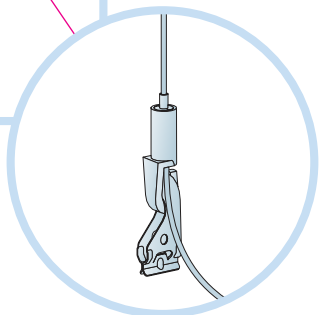
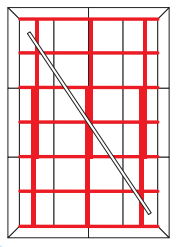
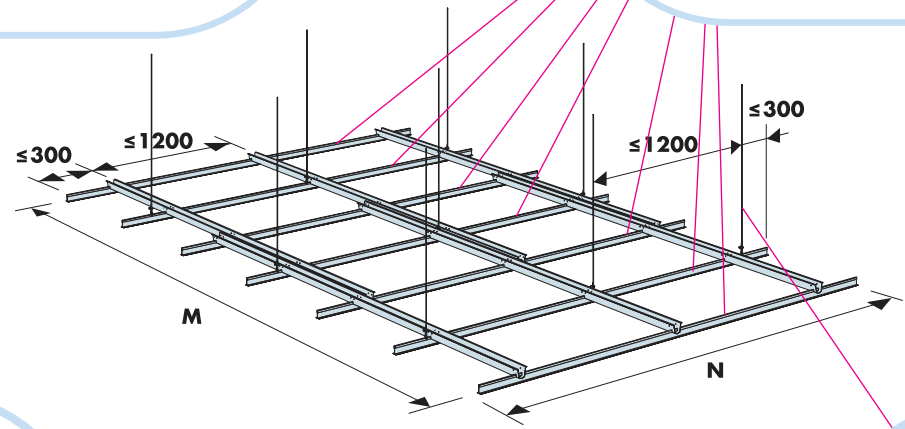


600x600
Installation guide
IG206

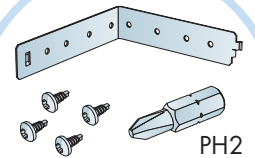
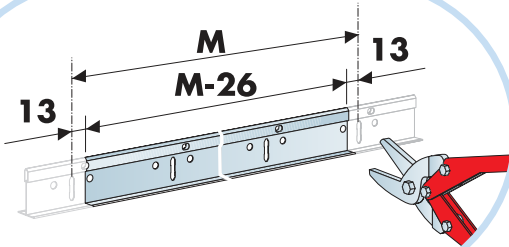
1200x1200
Installation guide
IG207 → 12



1

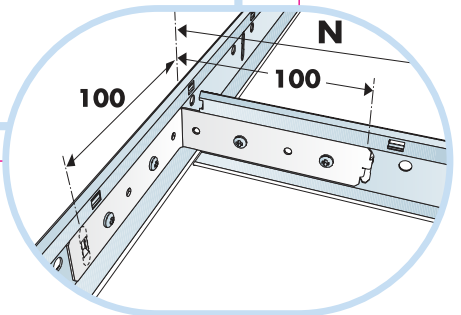
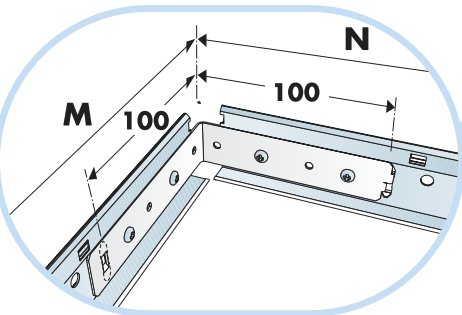
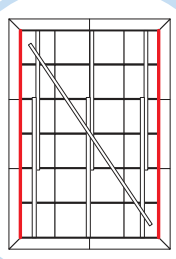
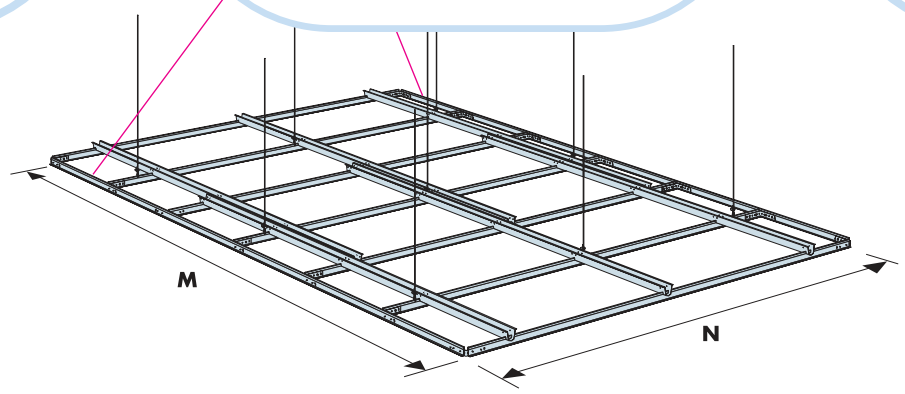


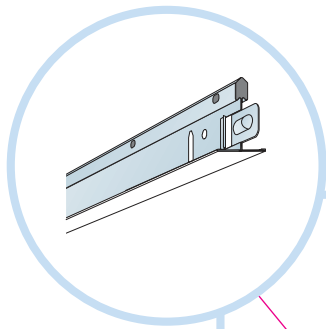
Connect Main
runner HD



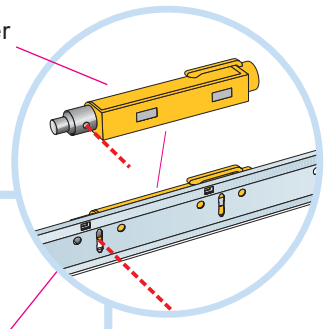
PH2
Connect Installation-
screw

2

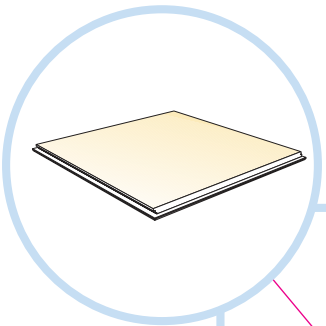
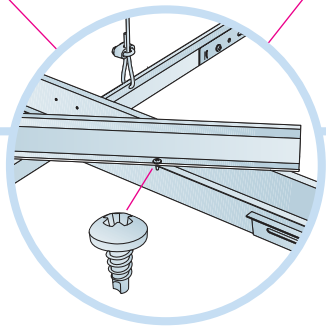
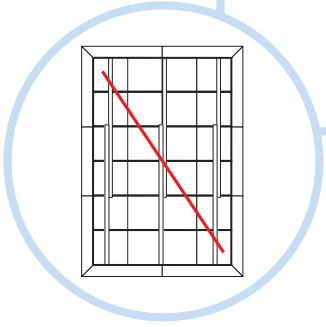
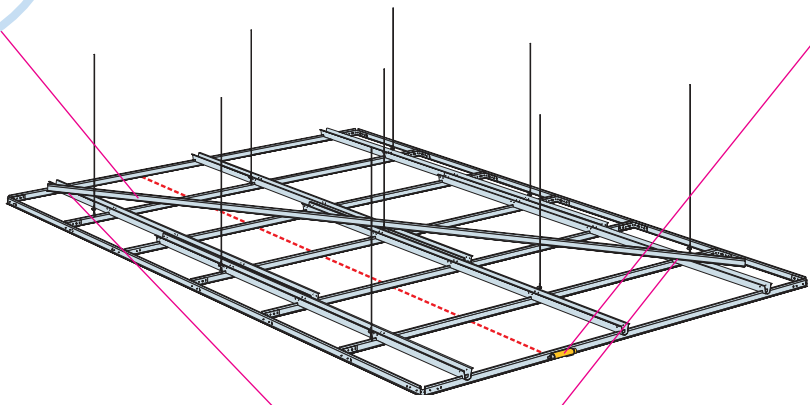




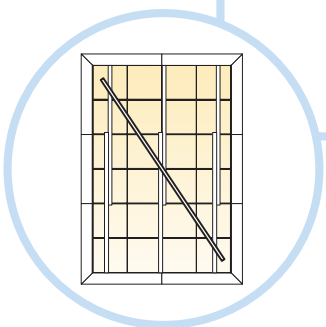
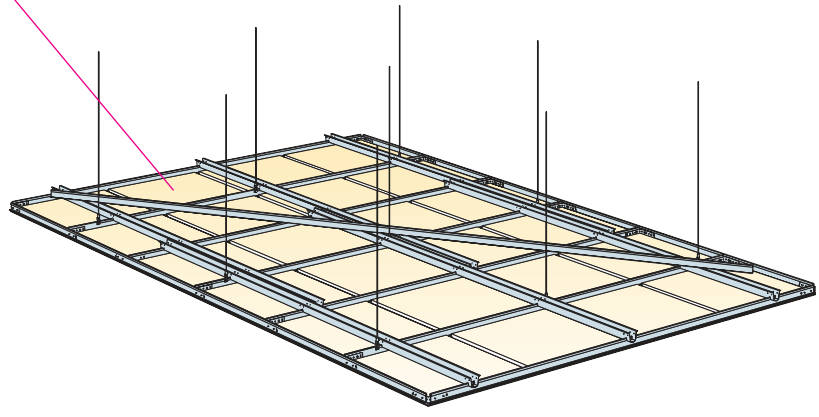
Connect Laser
angle



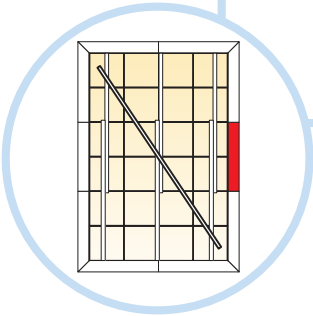
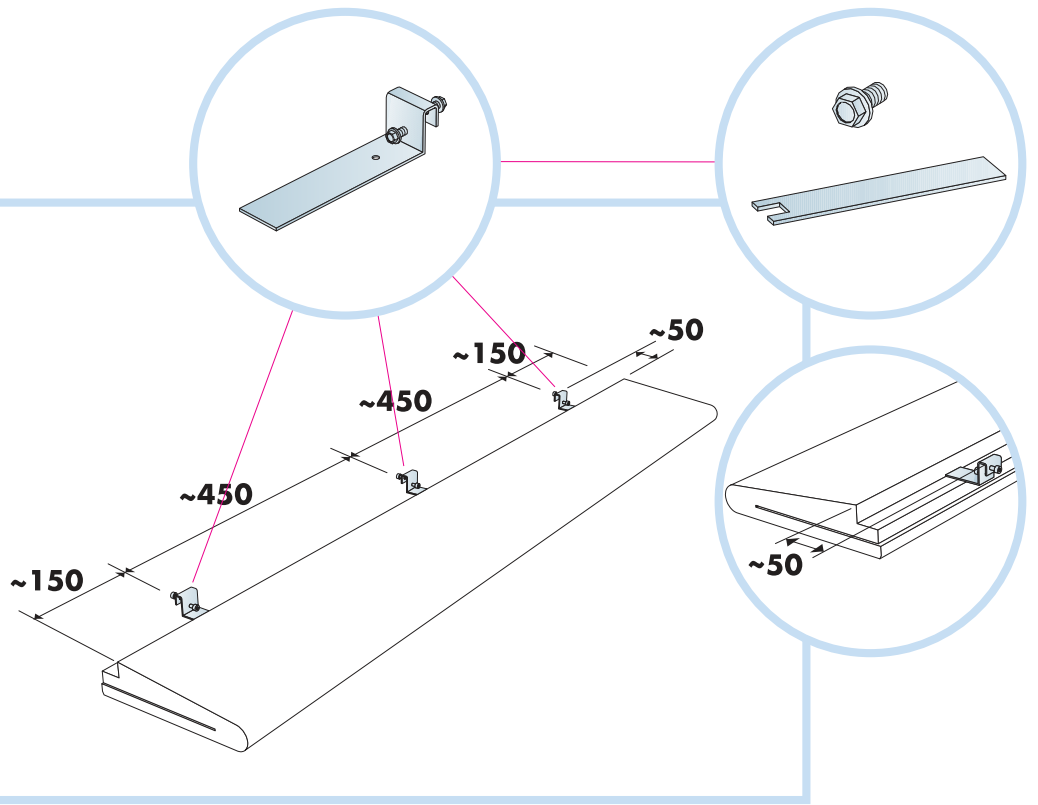
3



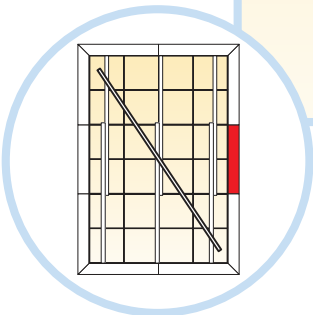
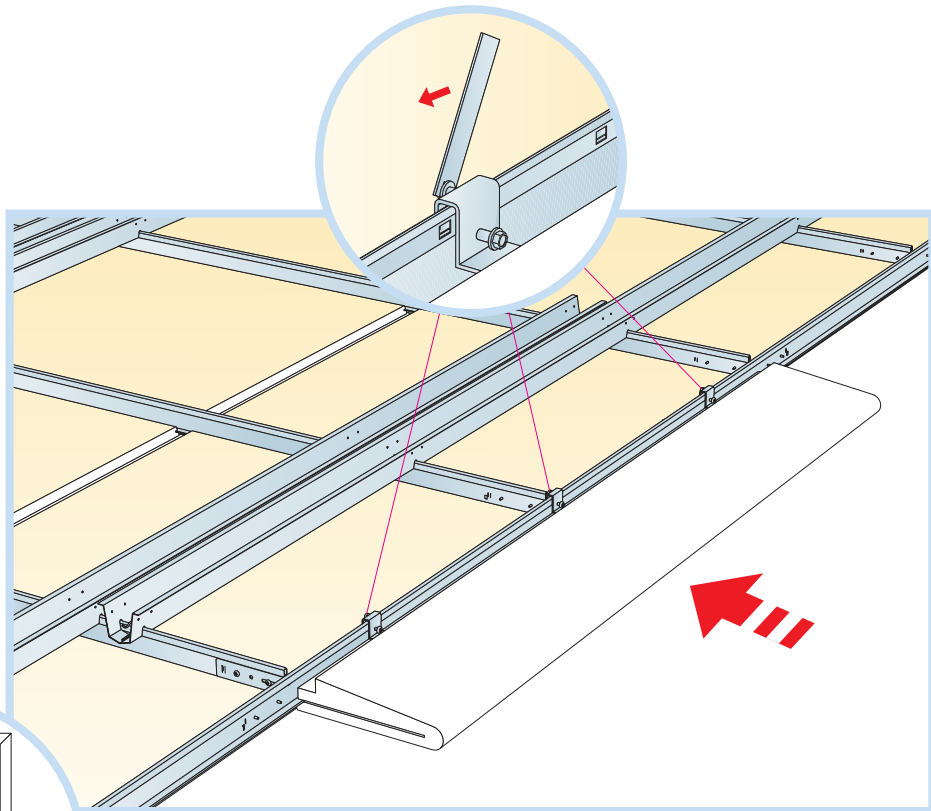
4



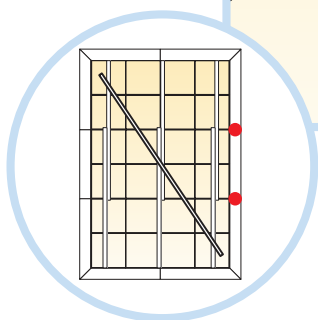
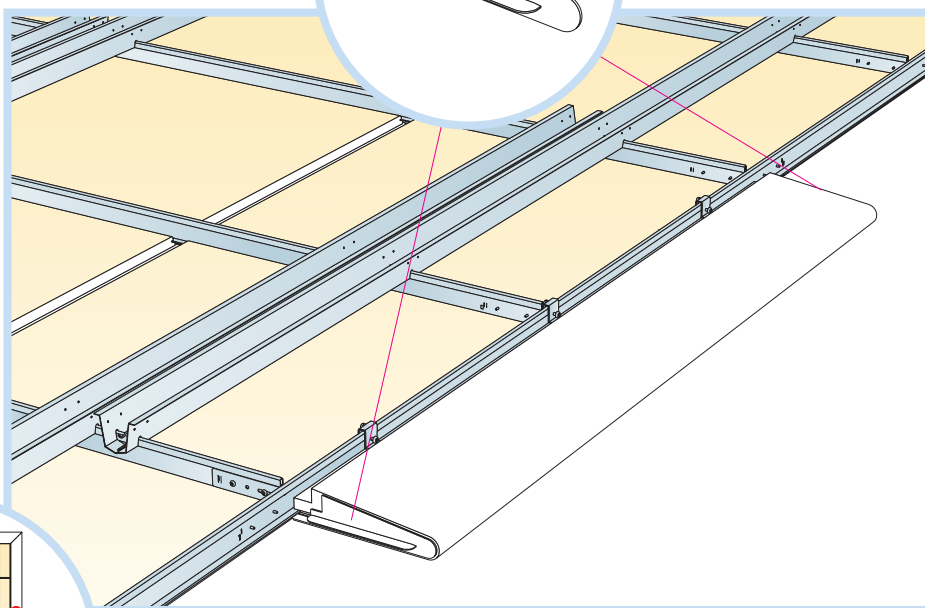
5



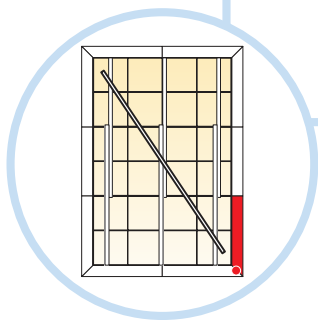
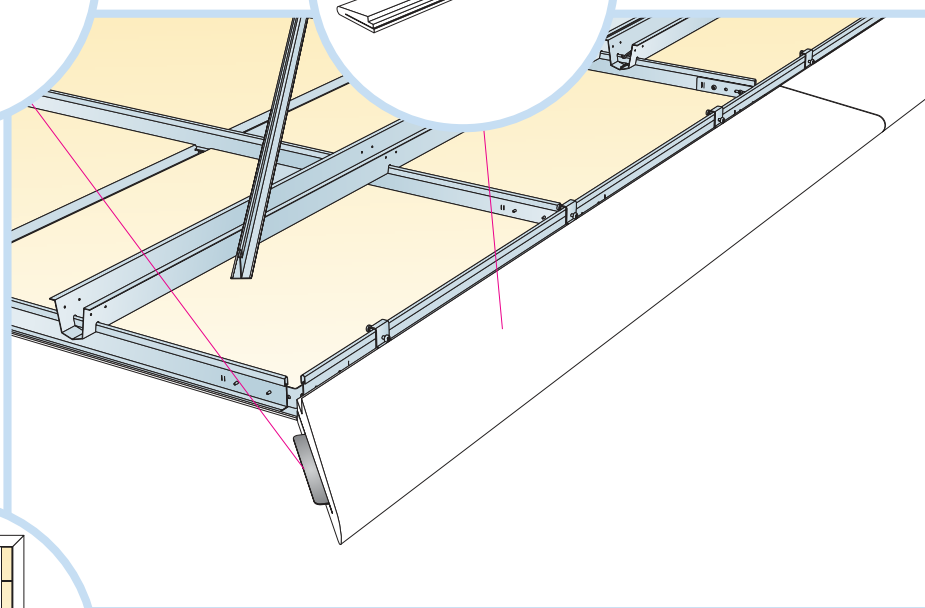
6



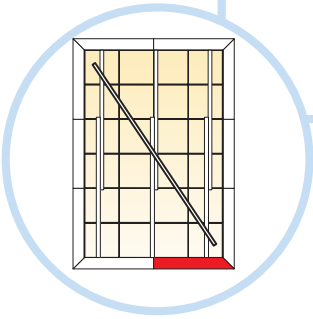
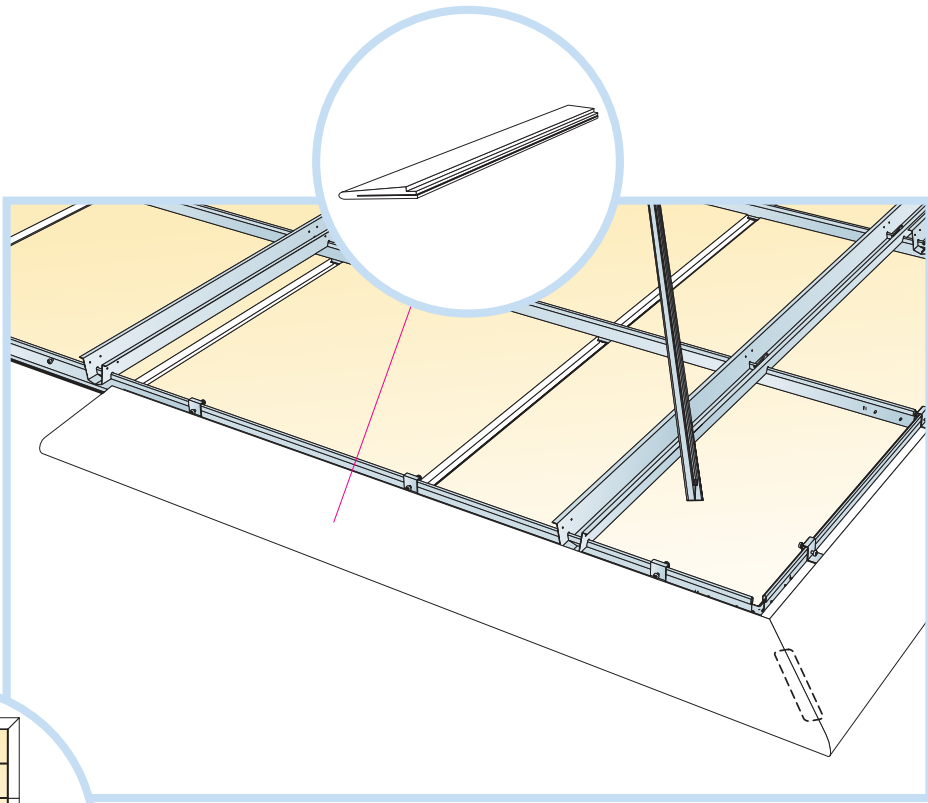
7



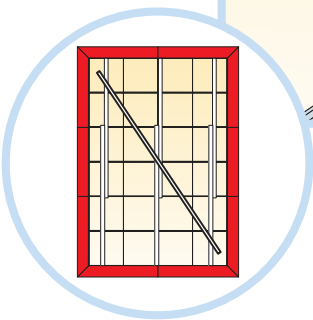
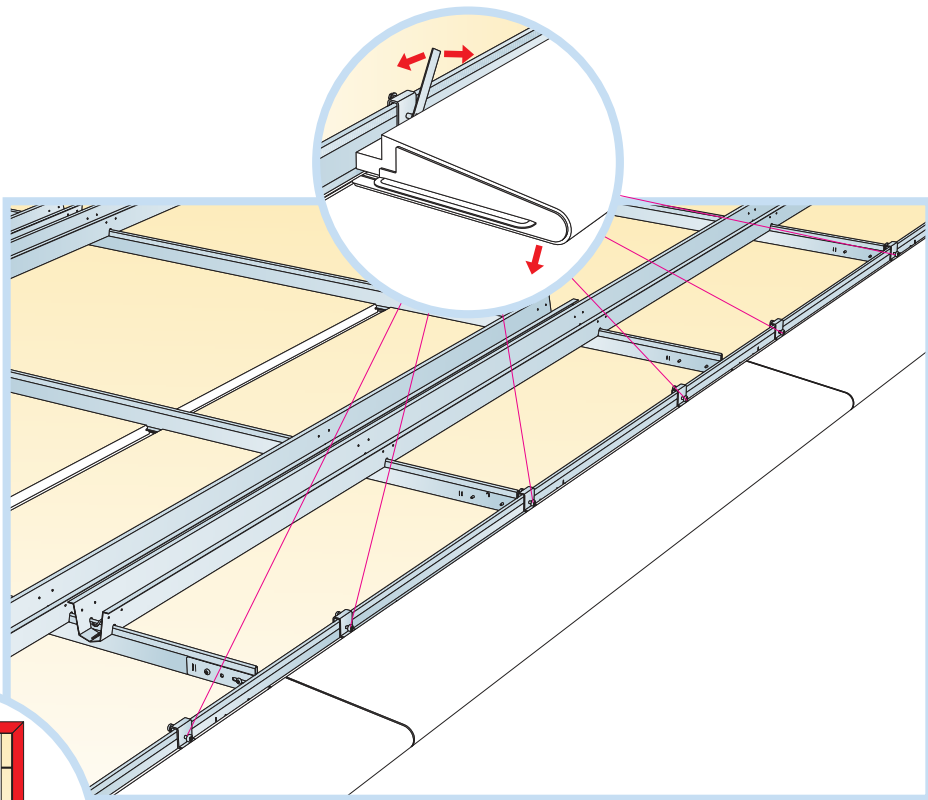
8



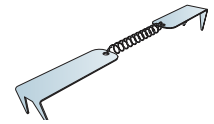
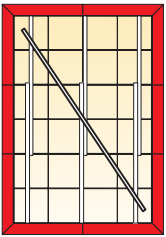
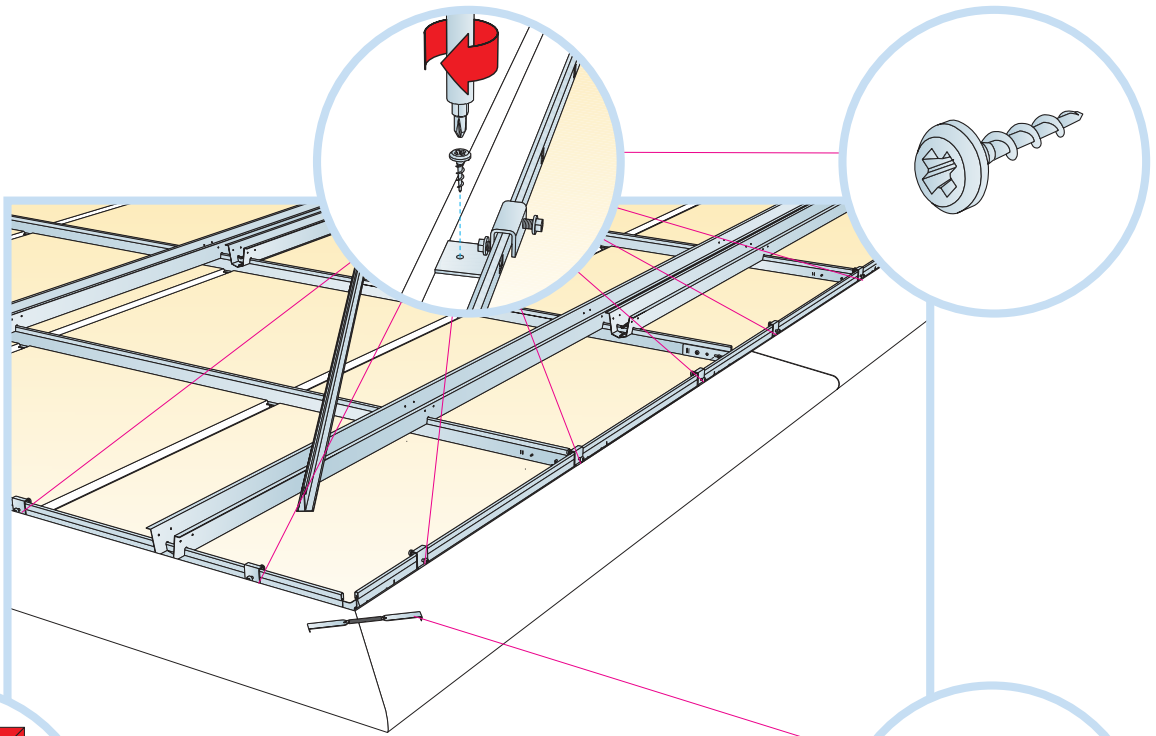
9



10



11

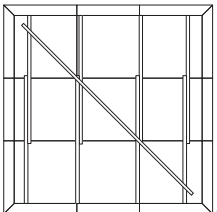
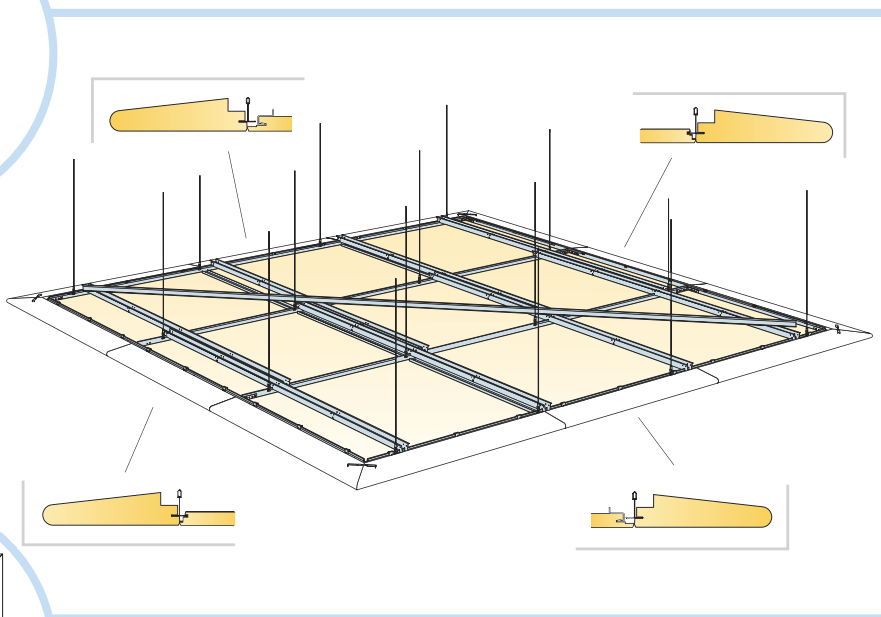


1200x1200

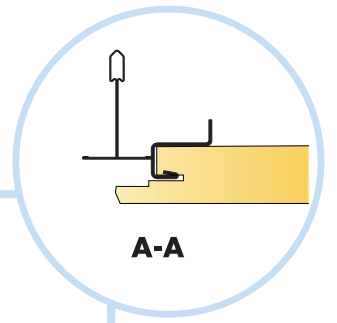
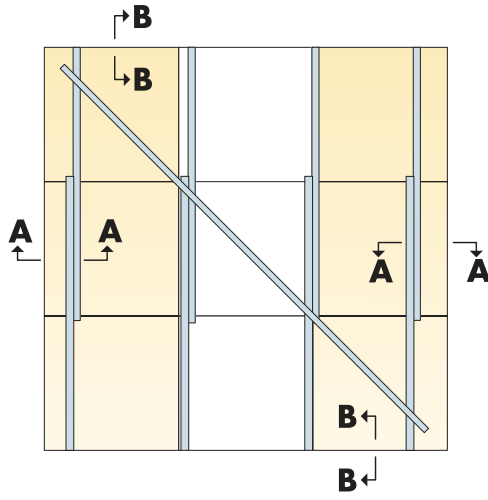
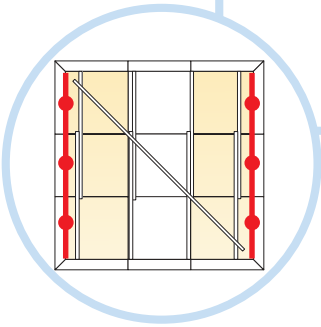


IG207
1200x1200

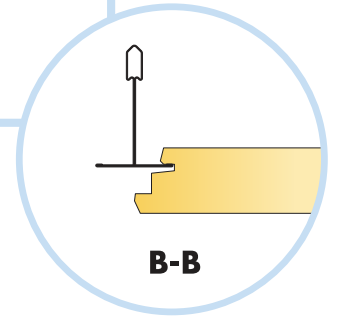
12



13

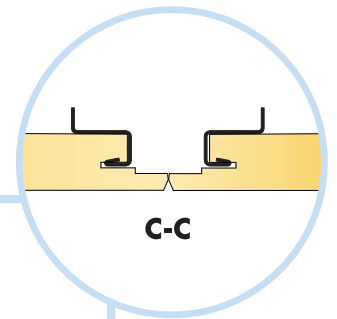
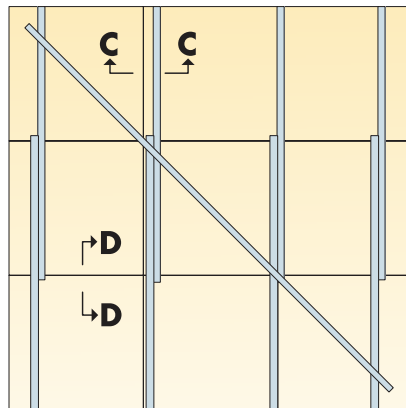
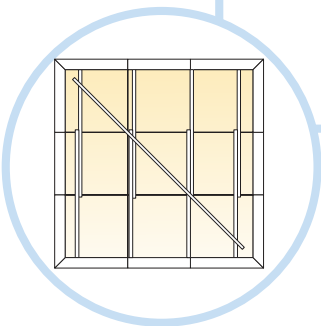


A-A

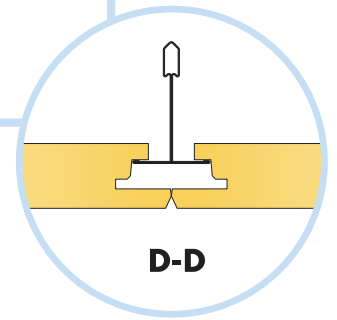


B-B

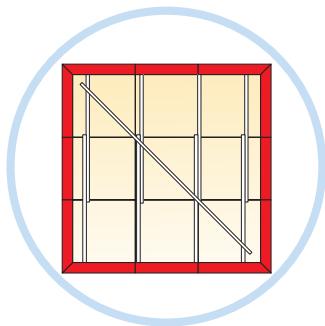
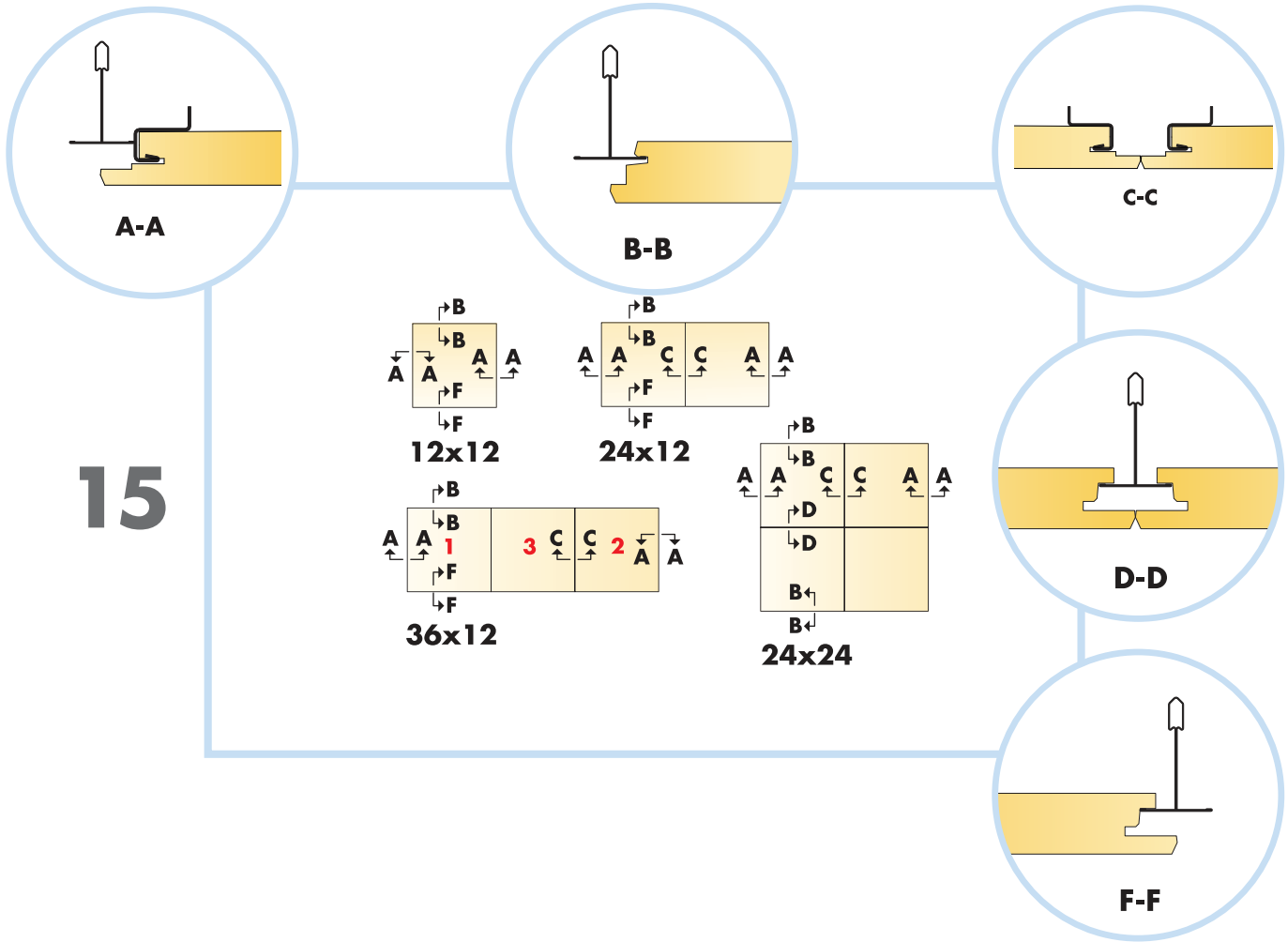
14



C-C



D-D



→ 5-11