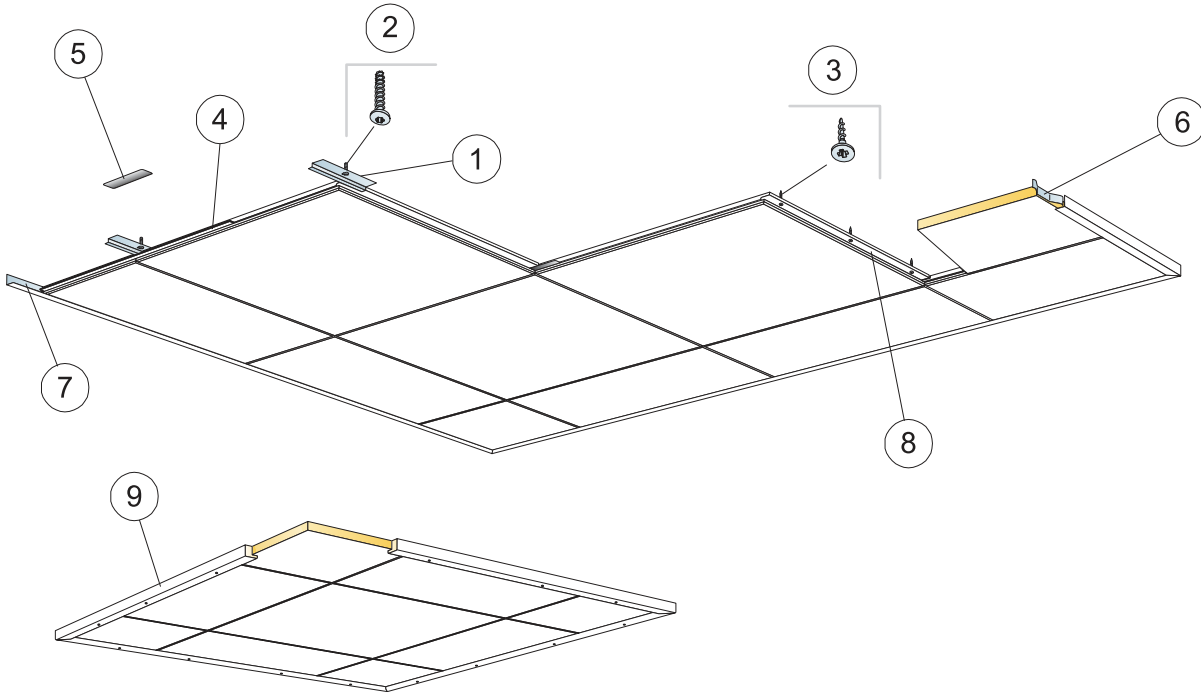
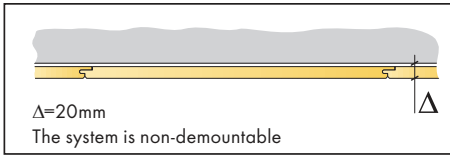


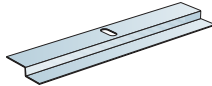
## Ecophon Focus F

600x600, 1200x600

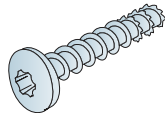
M15



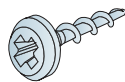
1. Connect Direct fixing plate F 0149, installed at 600 mm centres (for use in concrete)



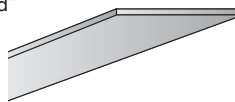
2. Connect Anchor screw 4000, installed at 600 mm centres (for use in concrete)



3. Connect Installation screw MVL, installed at 200 mm centres (for use in plasterboard or timber)



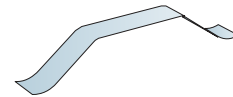
4. Connect Spline F, L=600 mm. Must be used in Sweden, Denmark, Norway and Finland at fireclass "Tändskyddande beklädnad"



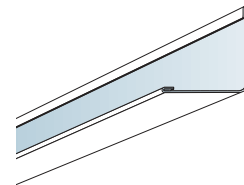
5. Connect Spline 0219, L=150 mm



6. Connect Wall spring spacer 0087

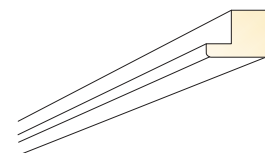


7. Connect Angle trim, fixed at 300 mm centres



8. Timber installed at 600 mm centres (300 mm if thermal insulation is placed above), with the screw fixings along the timber.

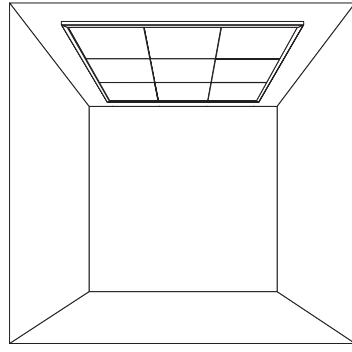
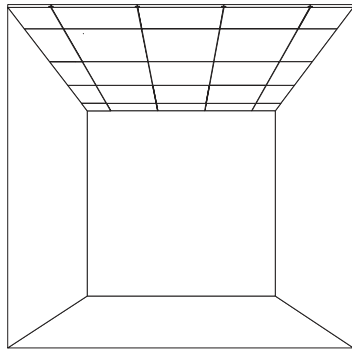
9. For use when installing floating ceilings: Connect Wood trim 2561, L=2500 mm, fixed at 500 mm centres



**Ecophon**  
SAINT-GOBAIN

[www.ecophon.com](http://www.ecophon.com)

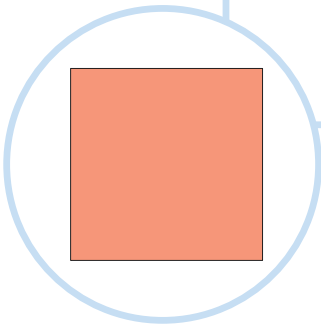
**1**



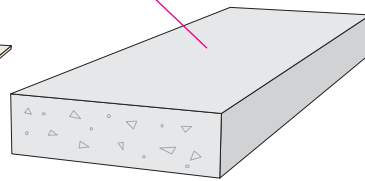
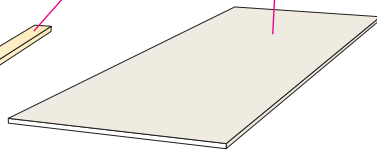
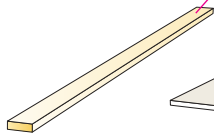
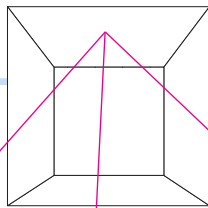
**2**



**19**



**2**



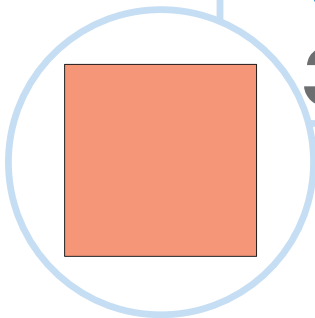
**3**

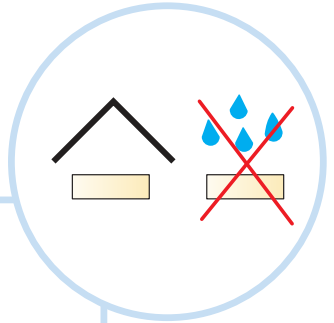
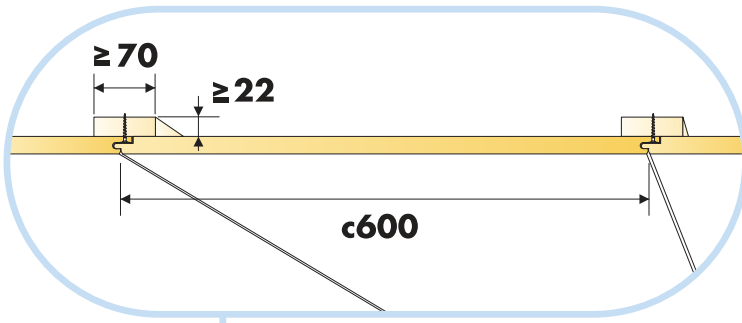


**4**

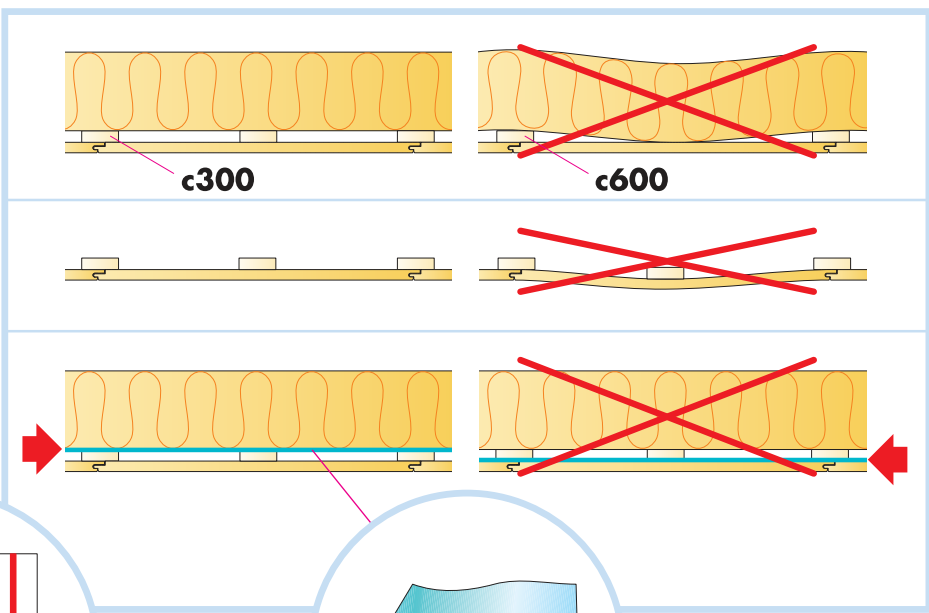
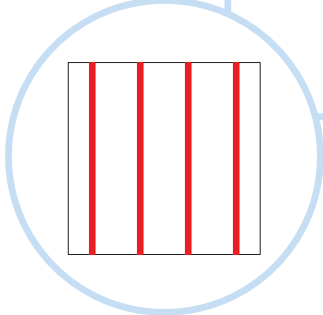
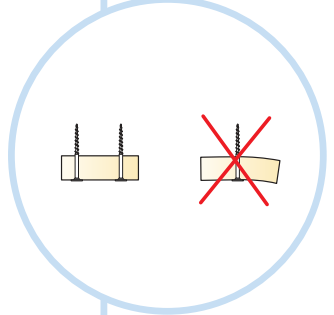
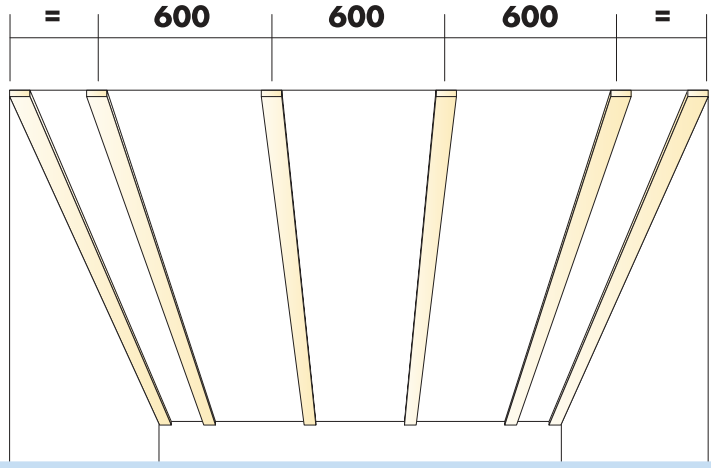


**4**

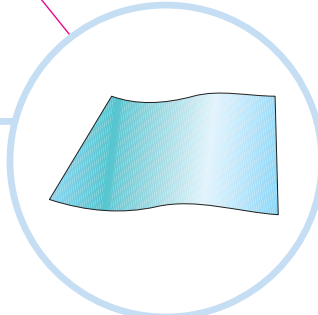
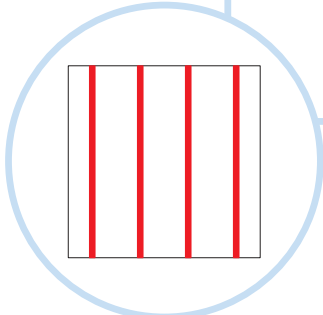




**3**

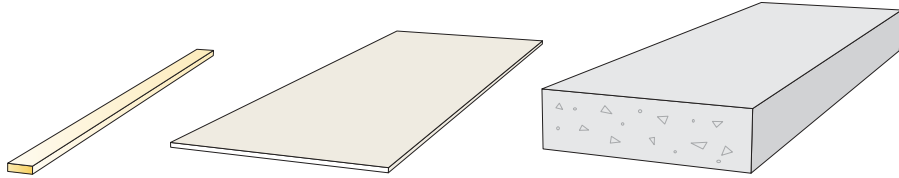
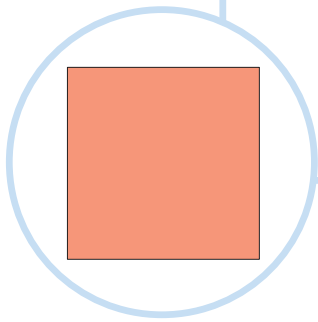
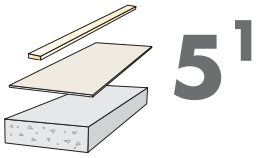
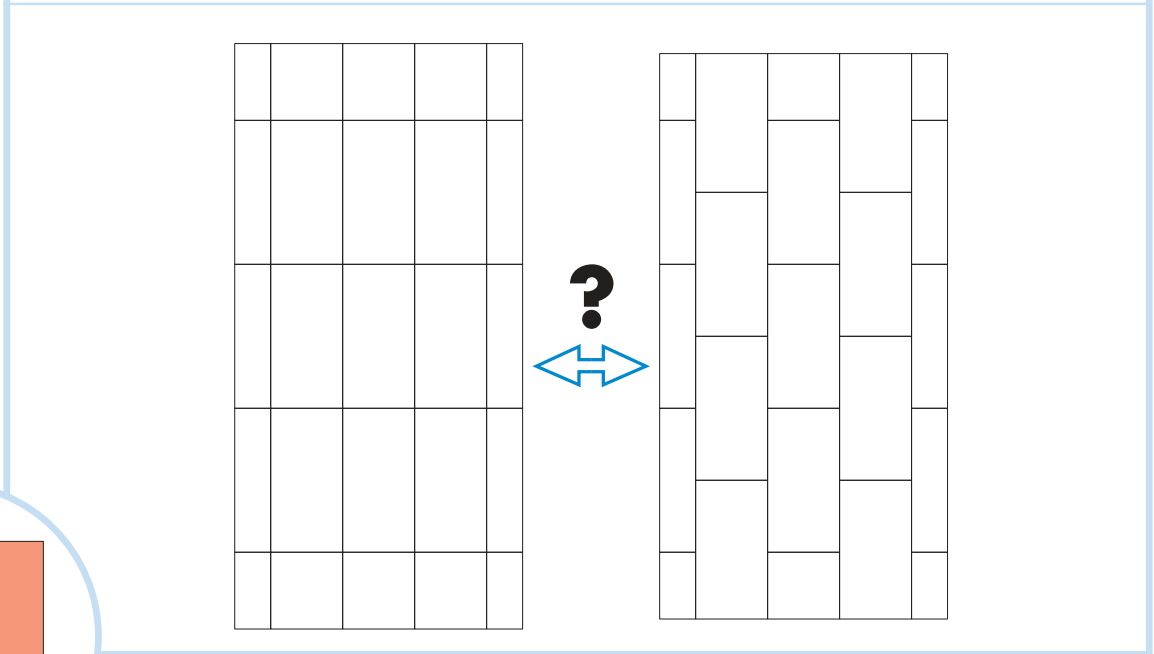
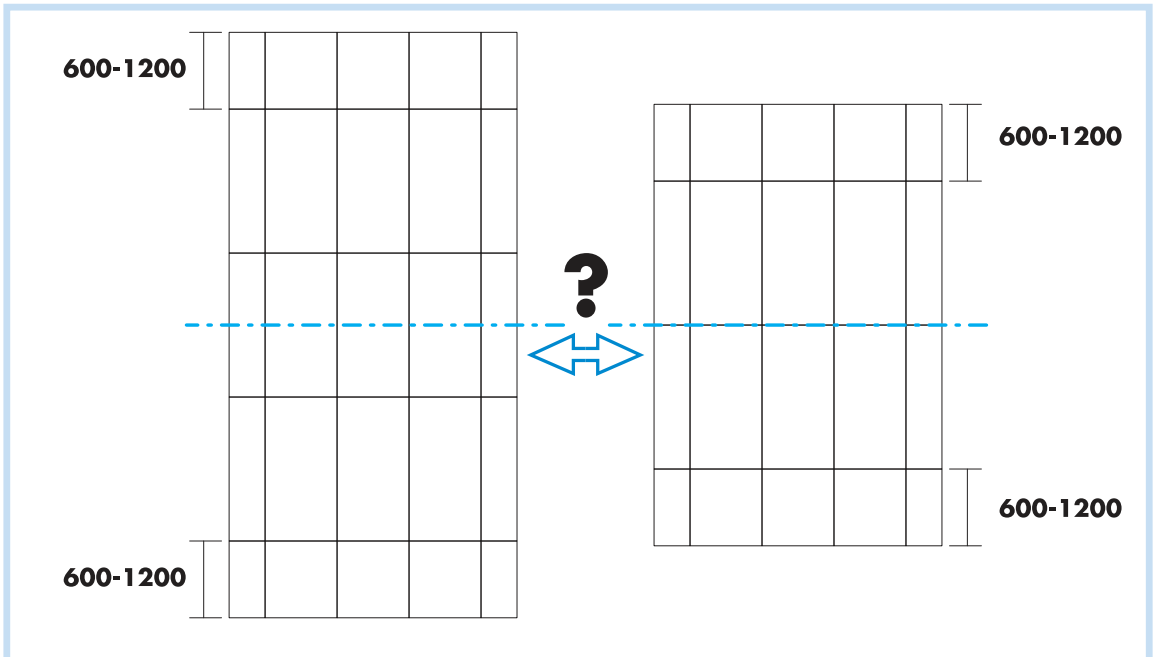


**3<sup>1</sup>**





1200x600



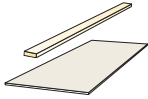
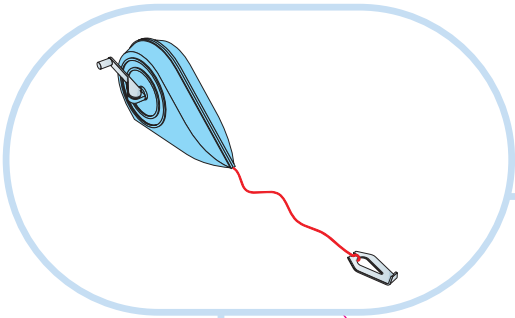
6



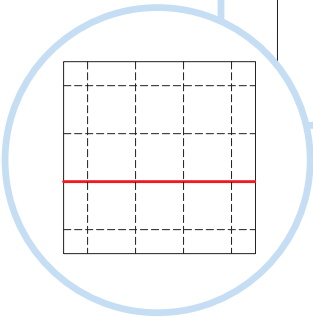
6



13

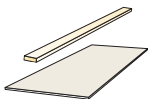
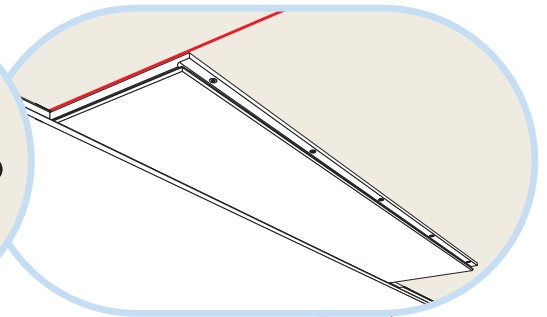
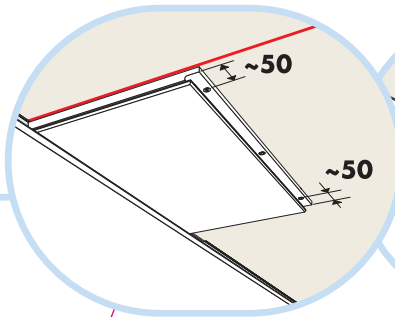
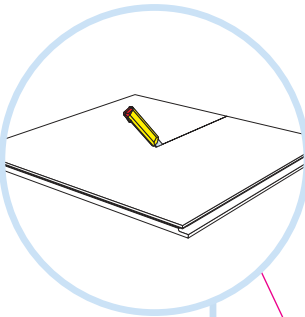


**6**

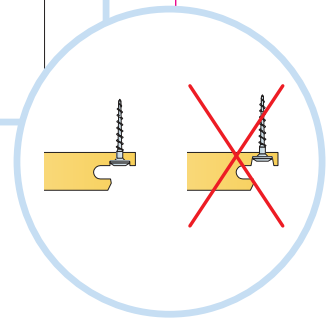
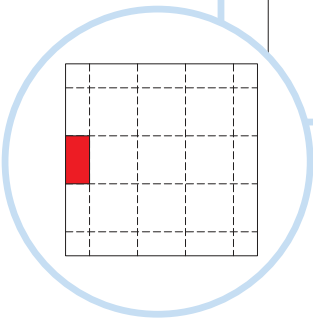
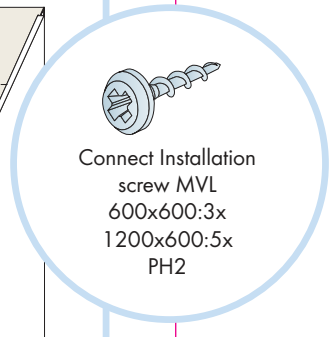
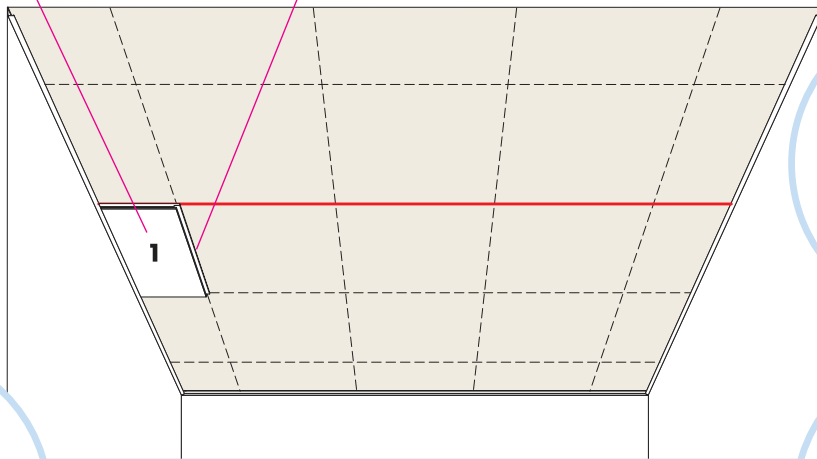


**B=600**

**B=1200**

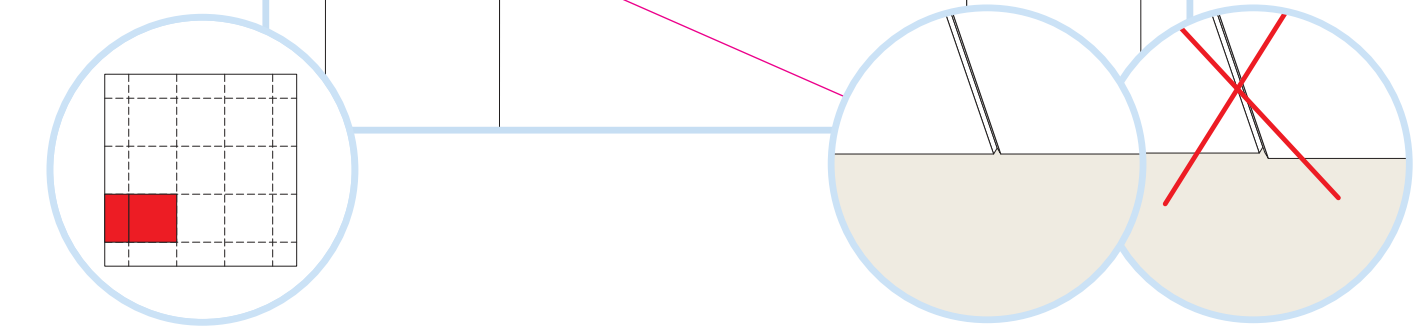
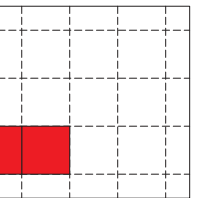
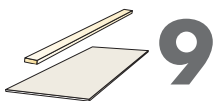
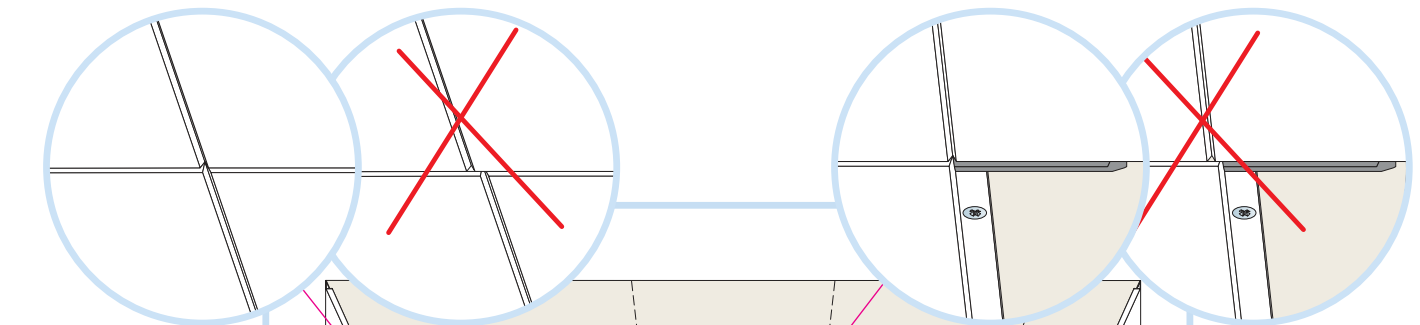
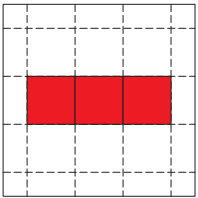
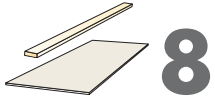


**7**



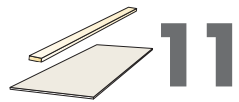
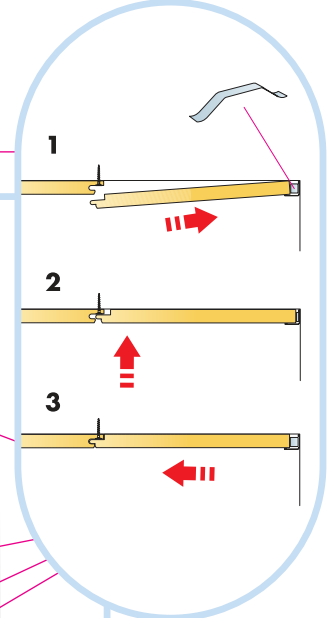
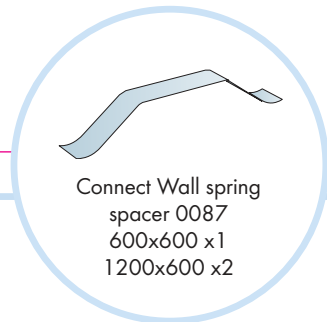
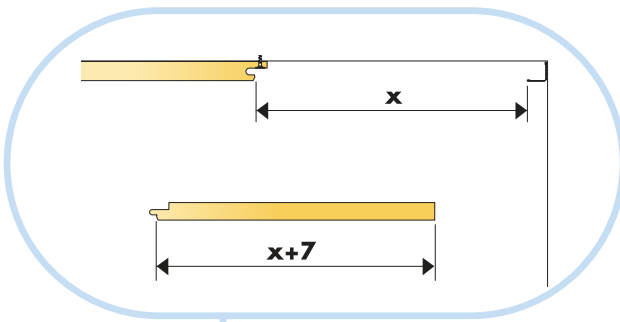
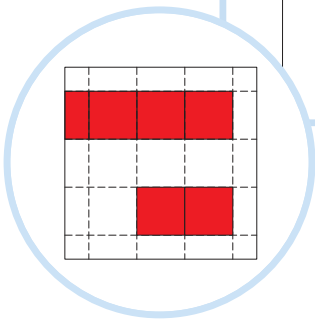
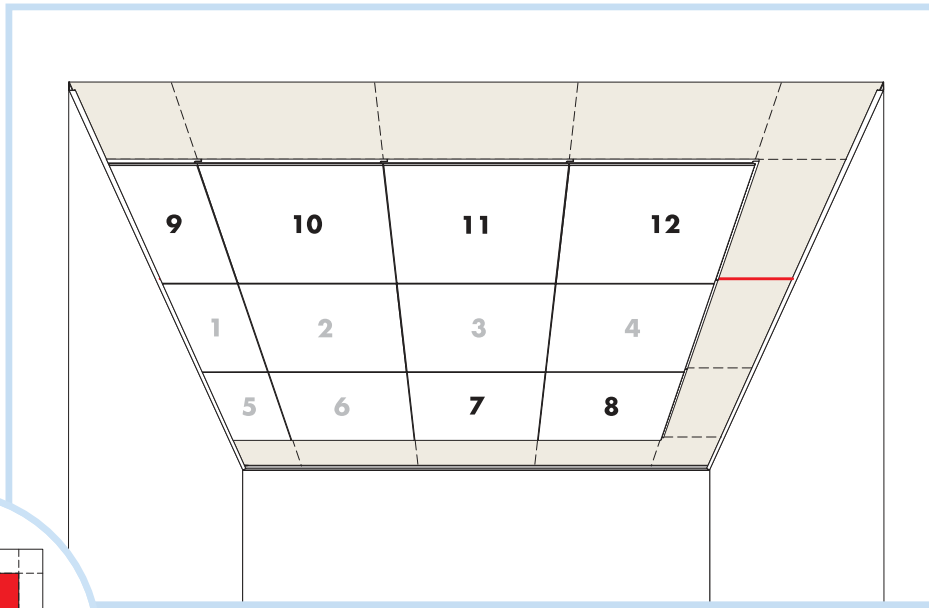
Connect  
Spline 0219

Connect  
Spline F

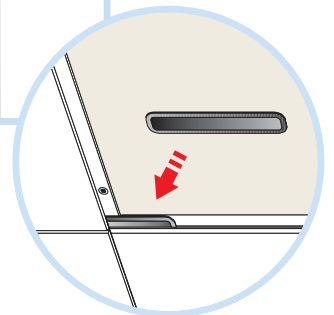
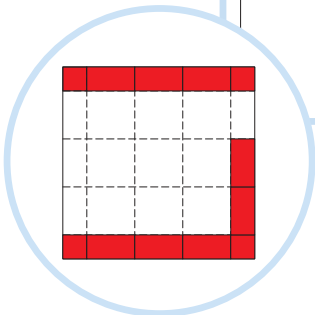
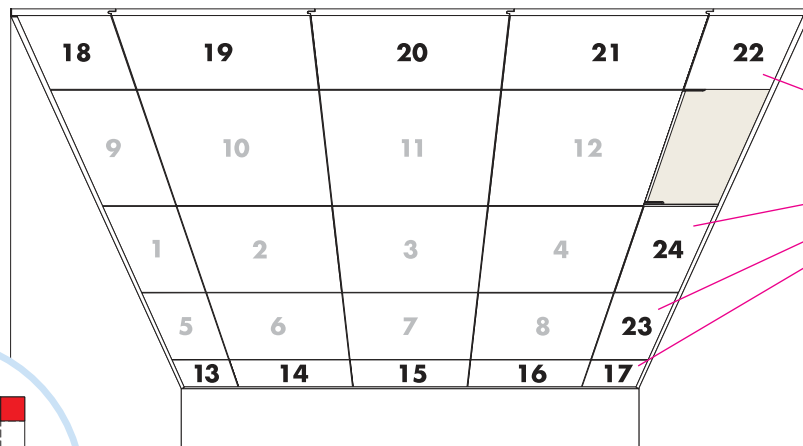


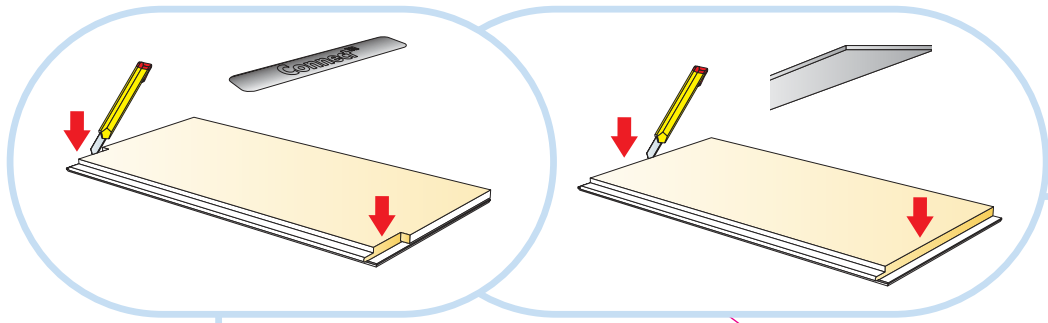


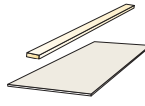
**10**

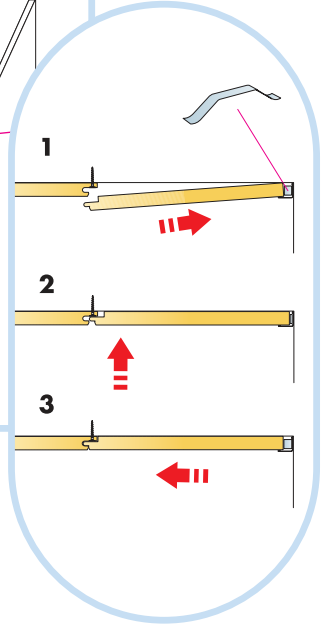
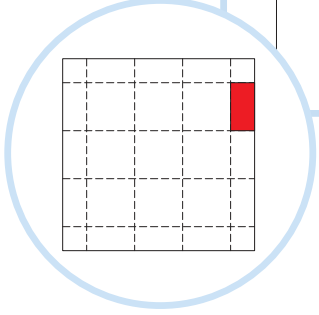
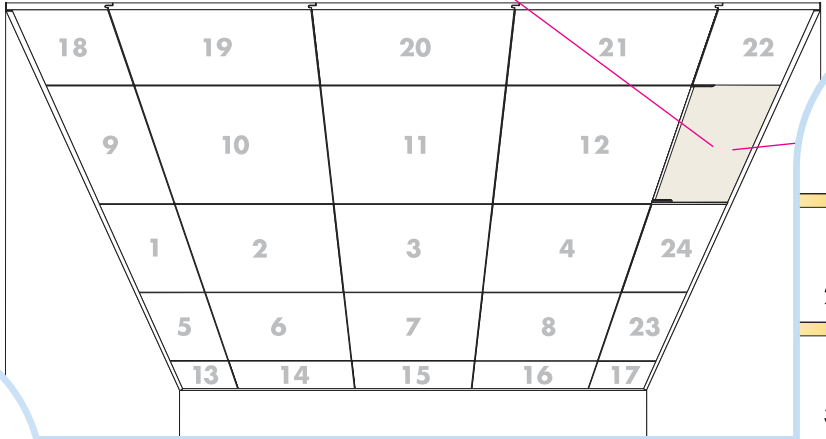


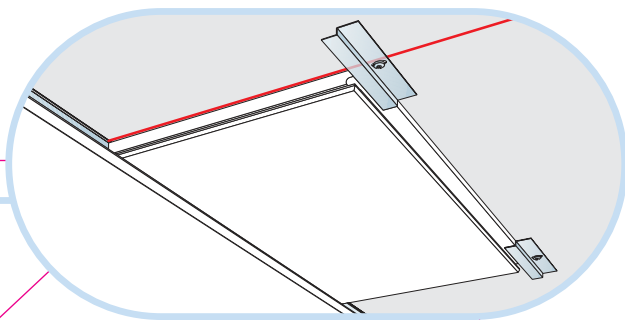
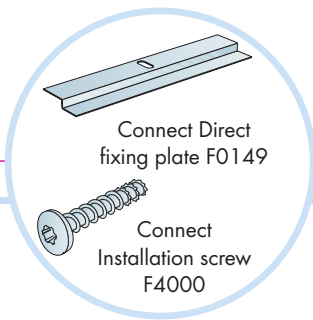
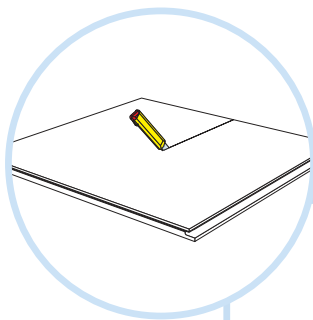
**11**

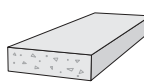


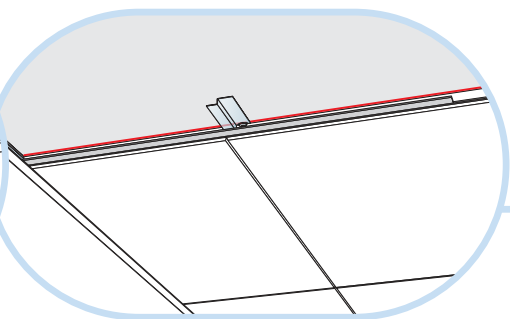
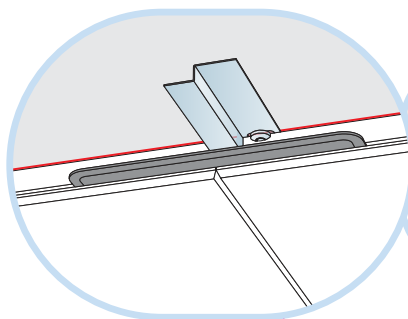
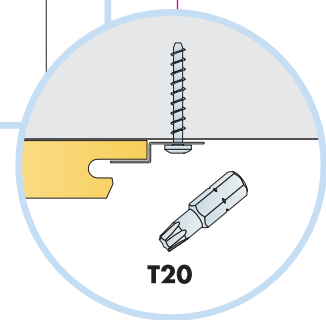
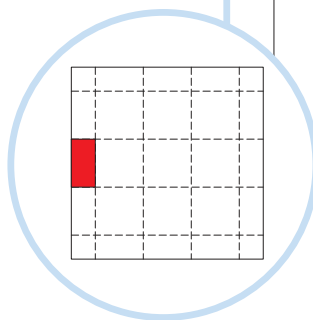
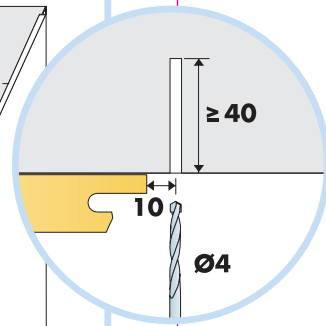
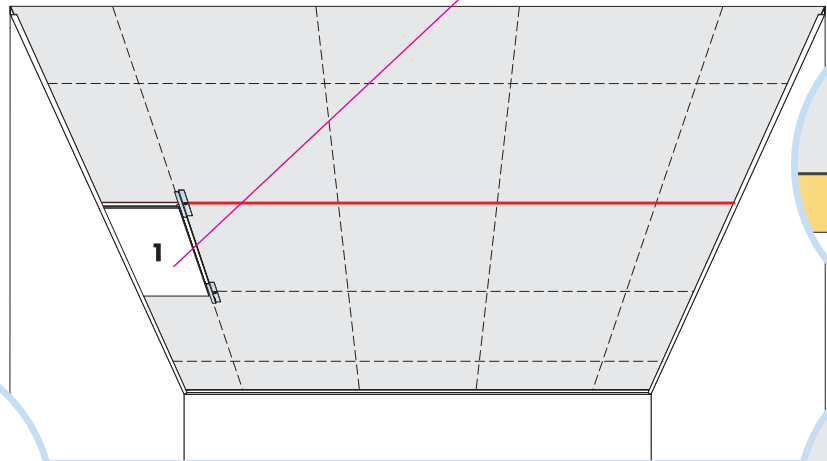


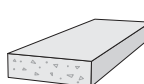
 **12**

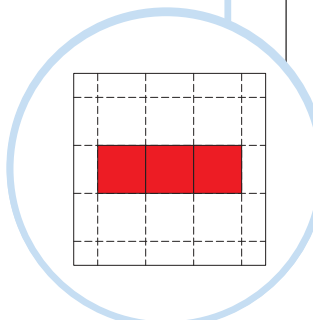
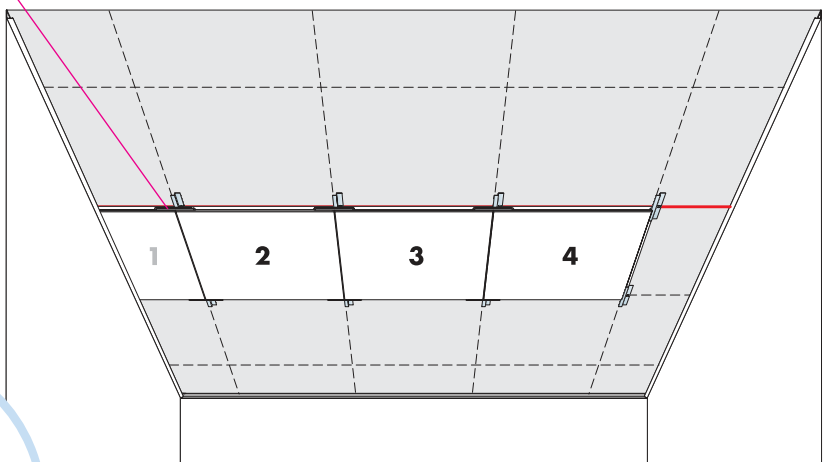


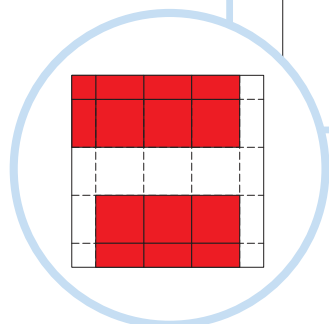
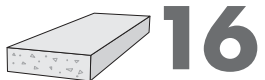
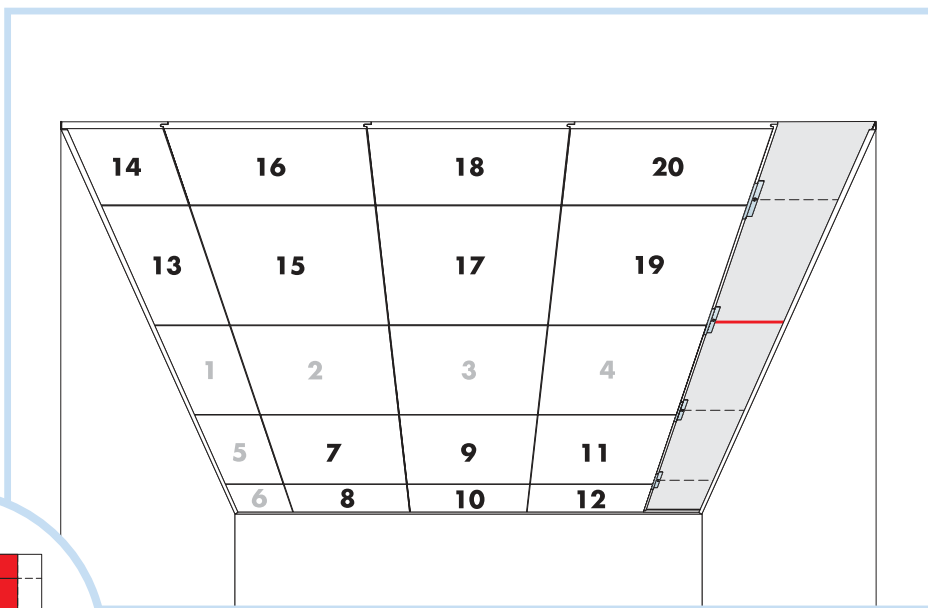
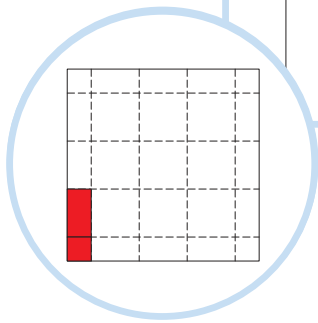
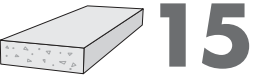
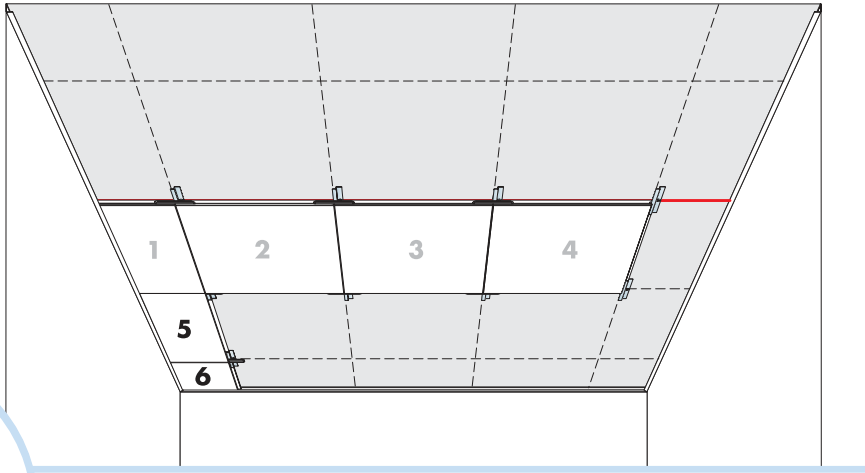
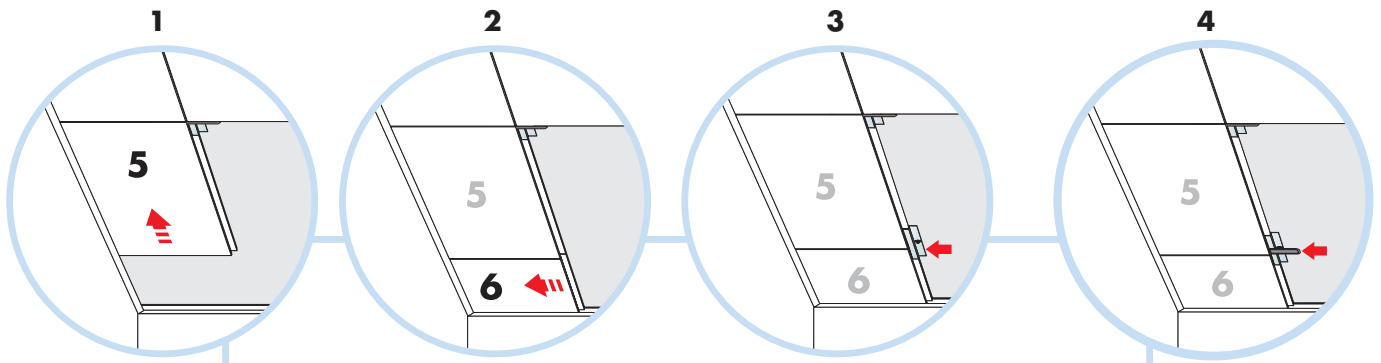


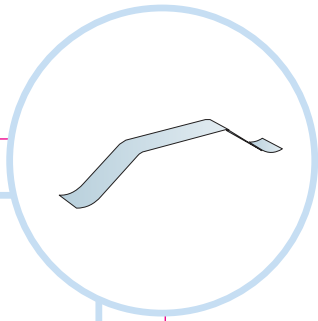
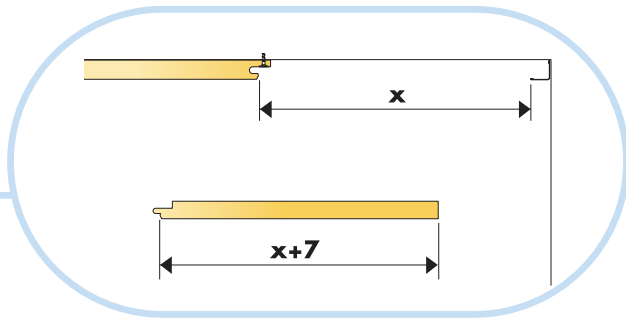
 **13**



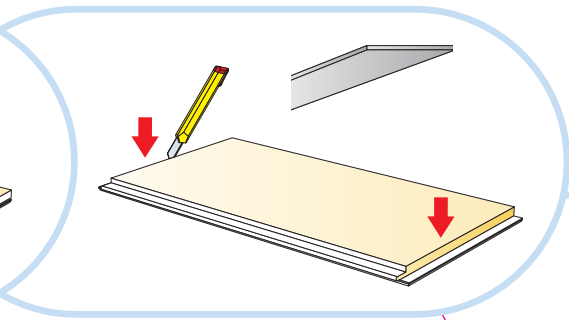
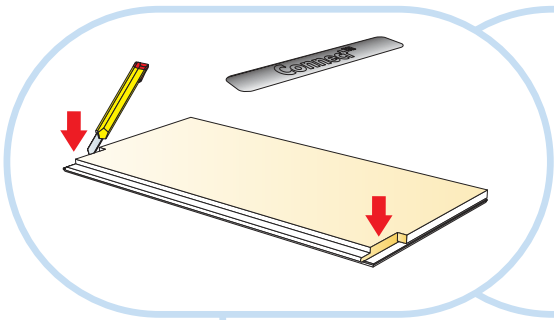
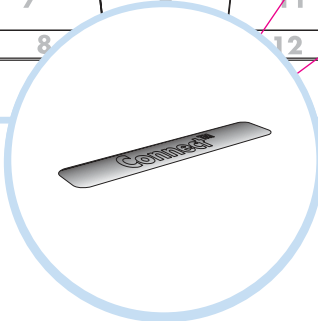
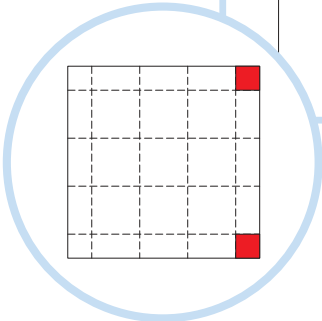
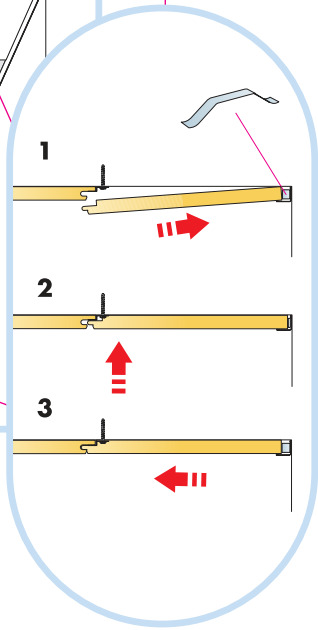
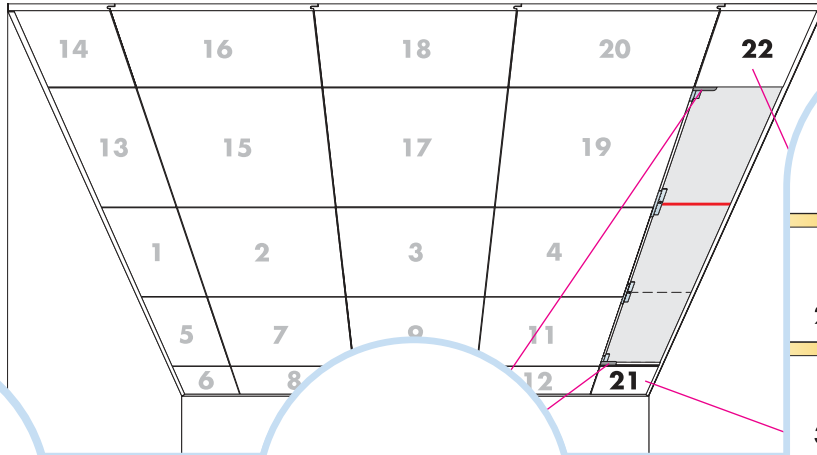
 **14**



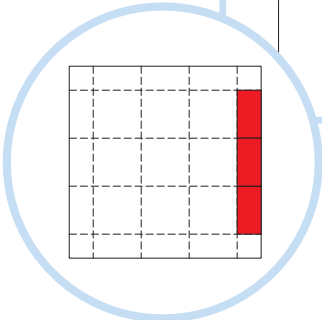
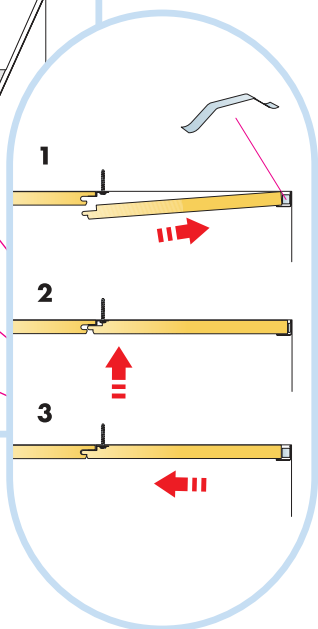
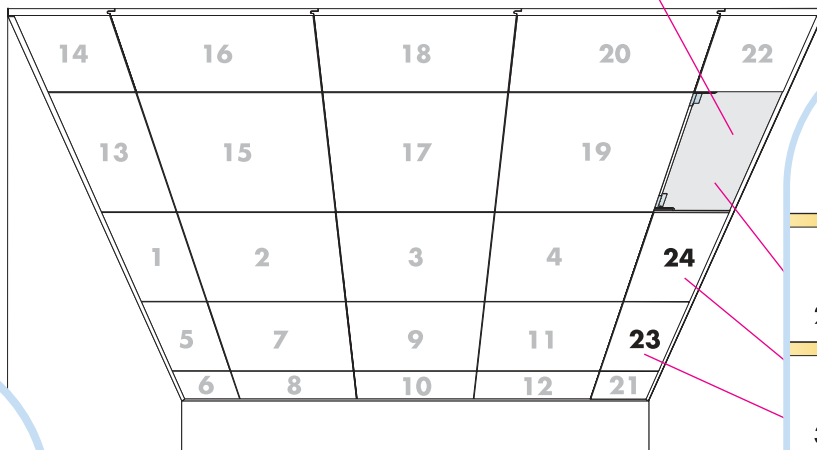


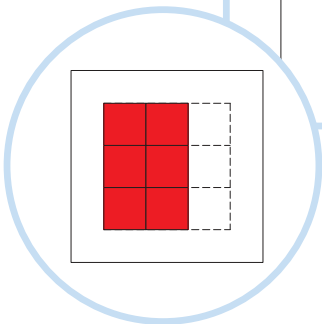
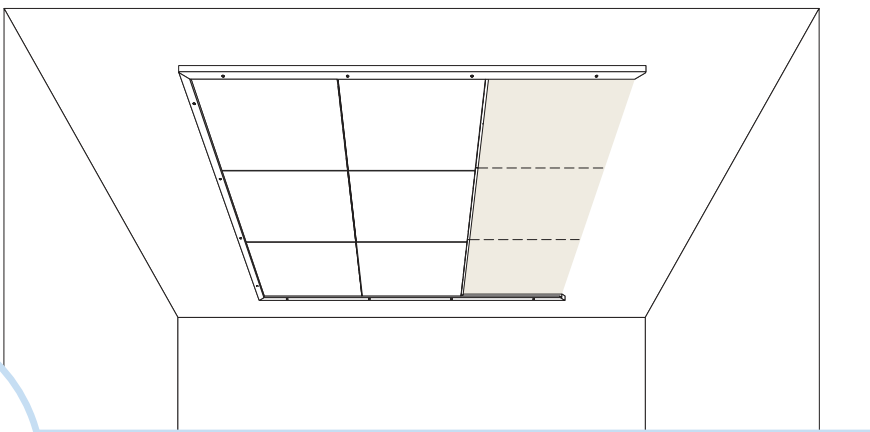
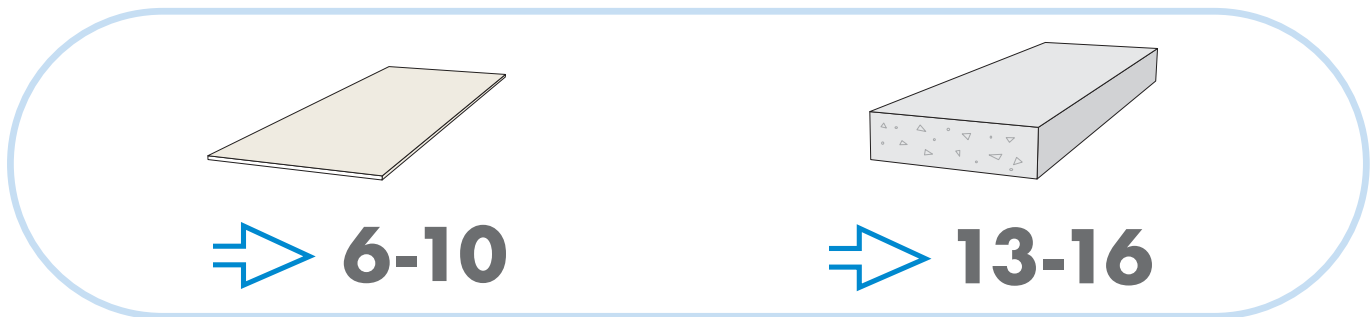
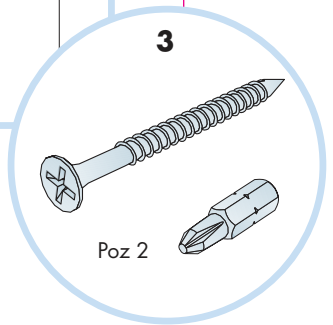
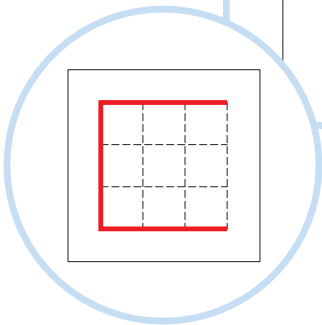
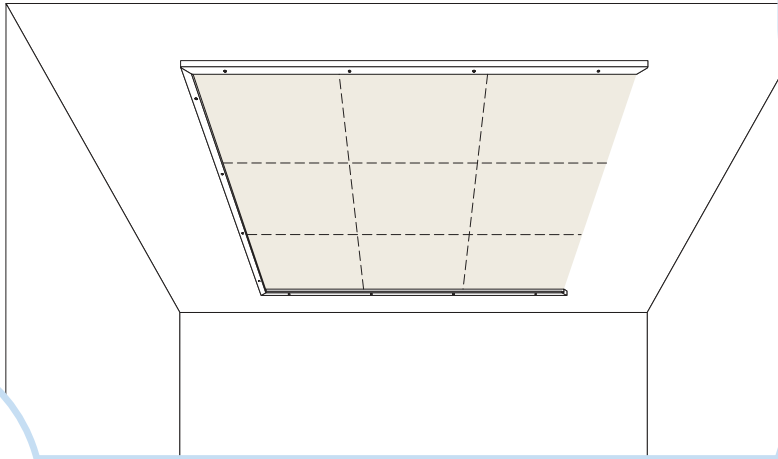
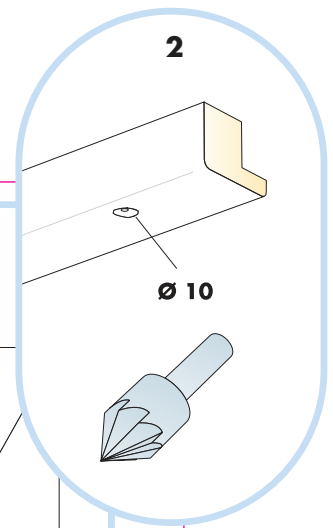
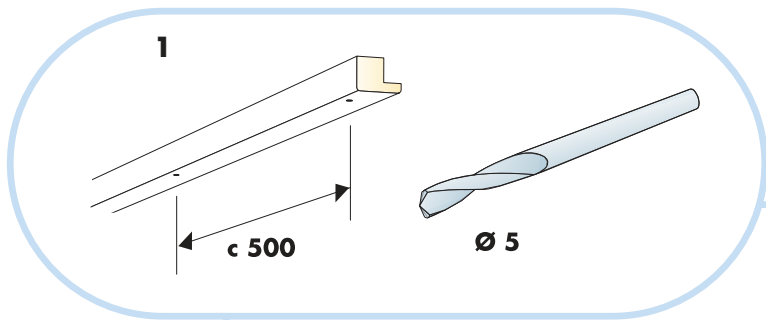


**17**

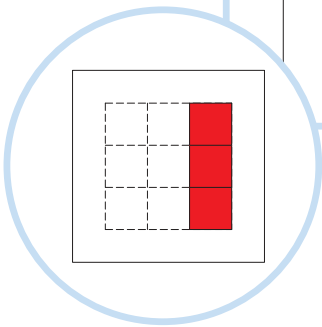
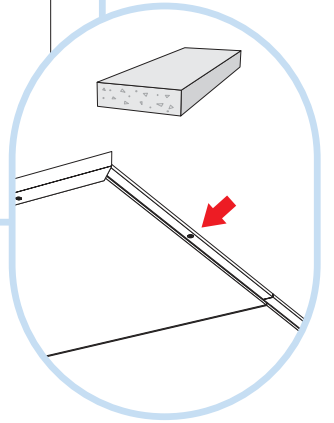
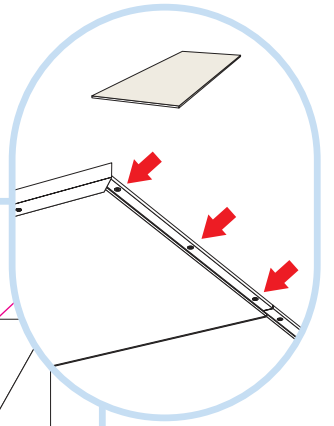
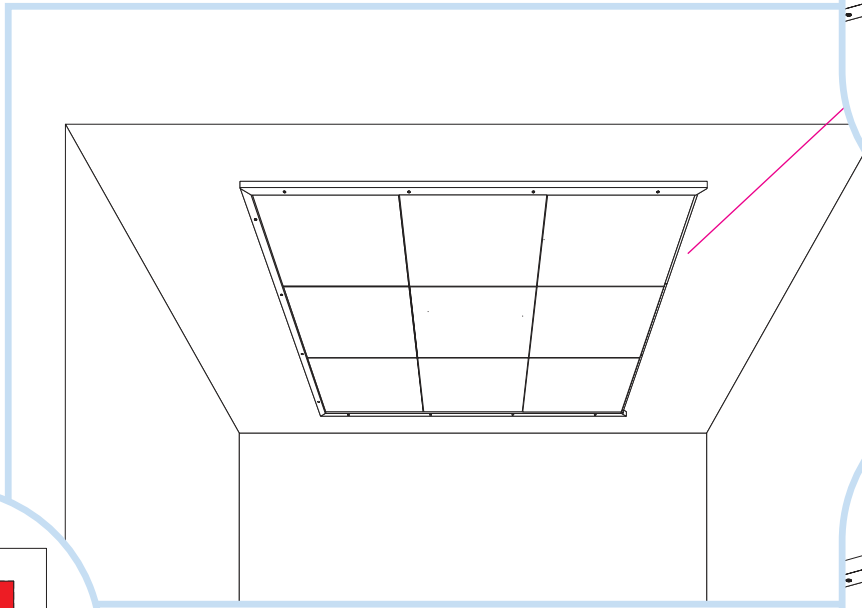


**18**





**21**



**22**

