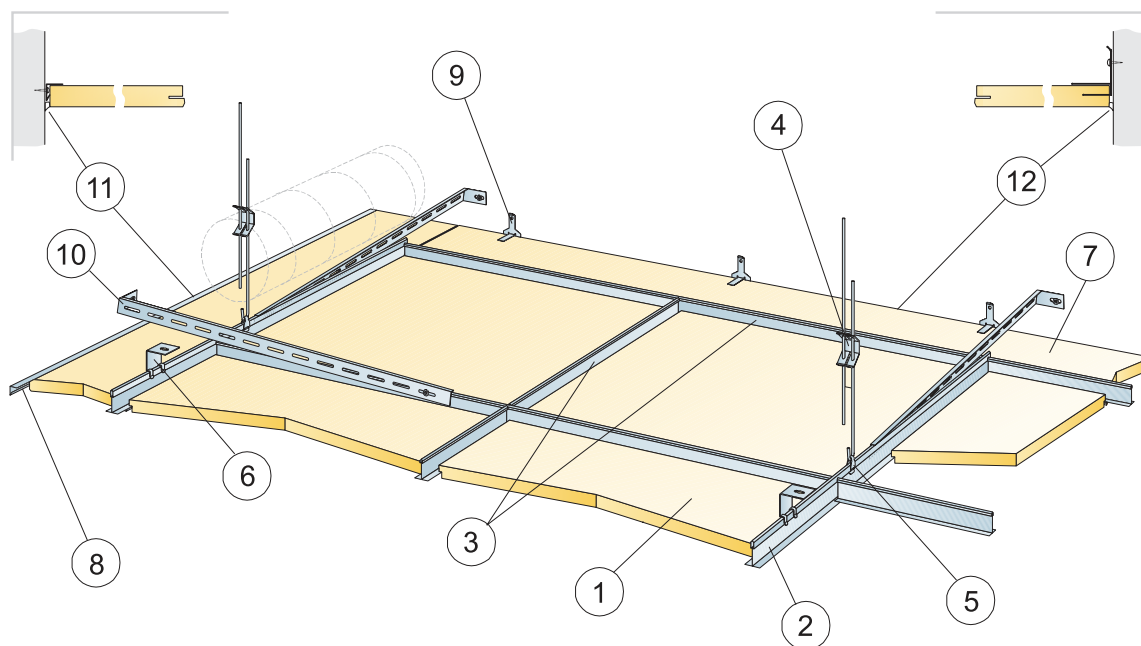
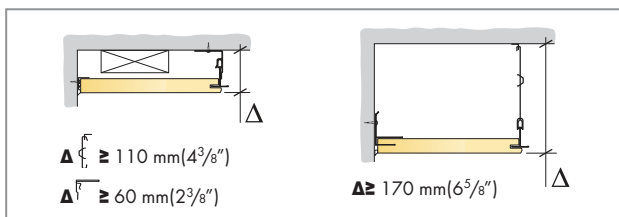


Focus frieze

2400x600, 24"x96"

M110



1. Focus/Master A or E

2. Connect T24 Main runner

3. Connect T24 Cross tees

4. Connect Adjustable hanger

5. Connect Hanger clip 1285

6. Connect Direct bracket

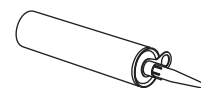
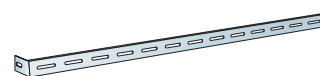
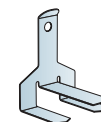
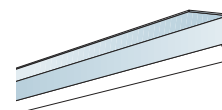
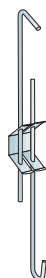
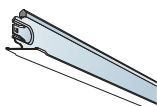
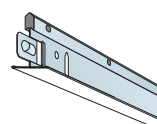
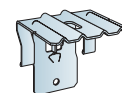
7. Focus frieze 2400x600/24"x96"

8. Connect Frieze trim 0562

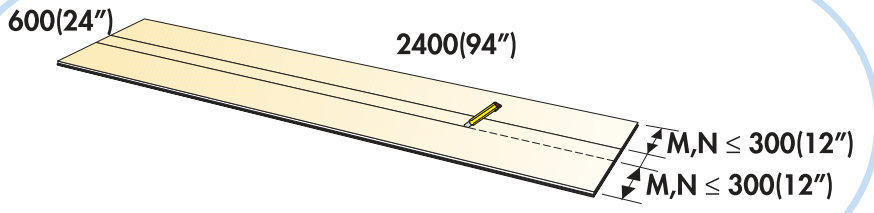
9. Connect Frieze bracket 0043

10. Connect Wall bracket
Space bar 0525

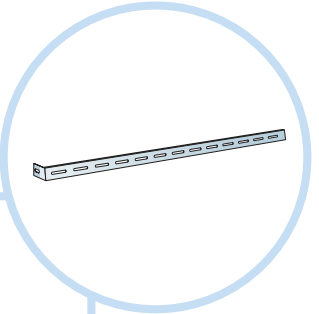
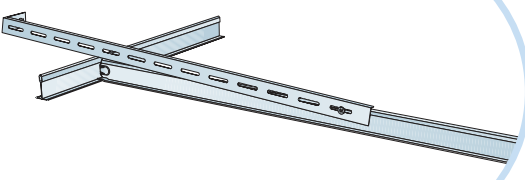
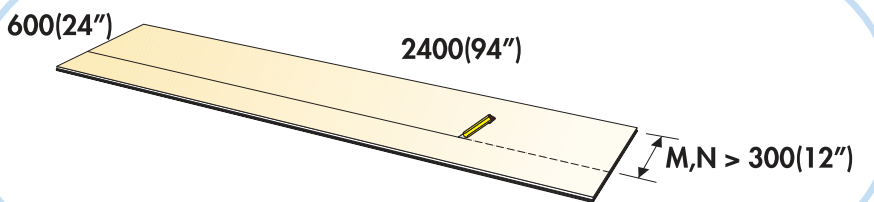
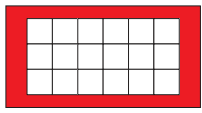
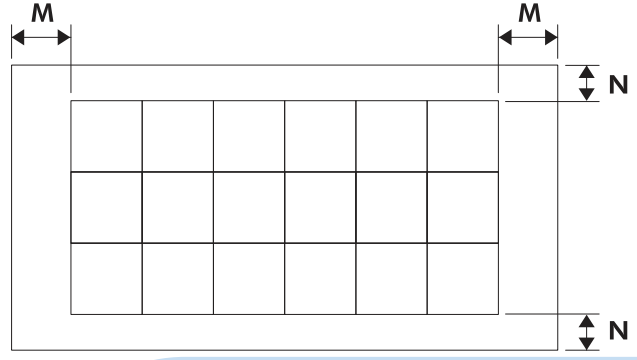
11,12. Connect sealant 0046



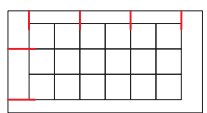
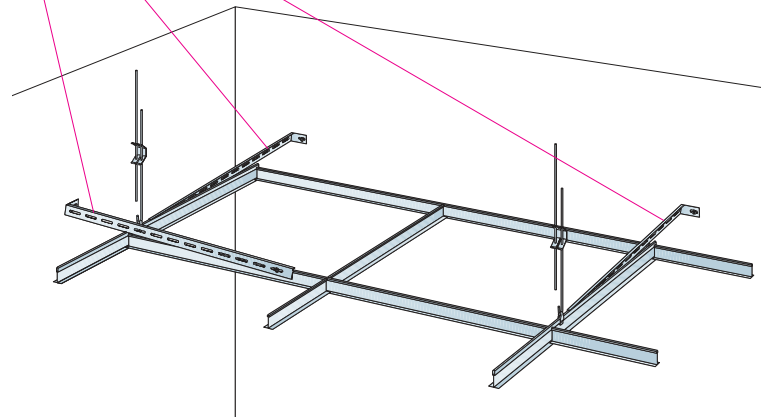
$M=100-600(4-24")$
 $N=100-600(4-24")$



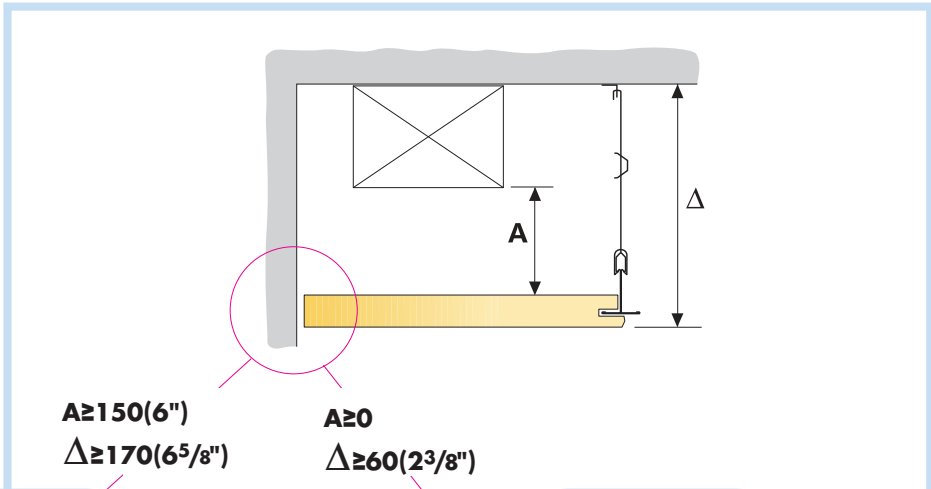
1



2

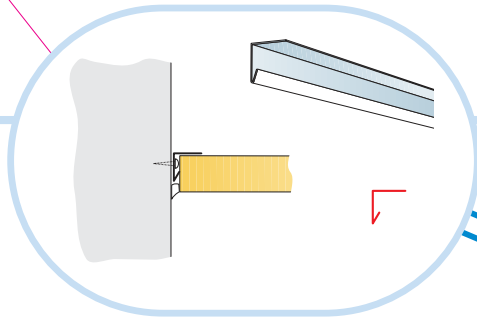
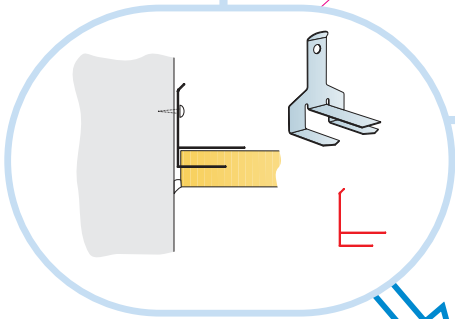


3

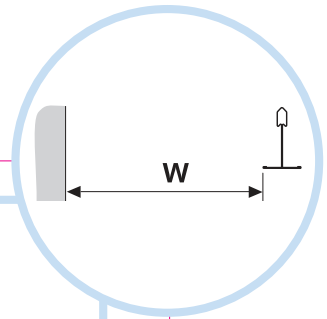
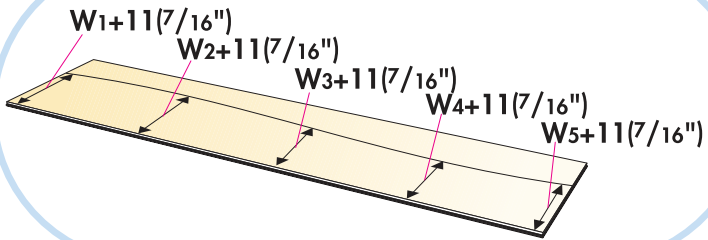


$A \geq 150(6'')$
 $\Delta \geq 170(6^{5/8}'')$

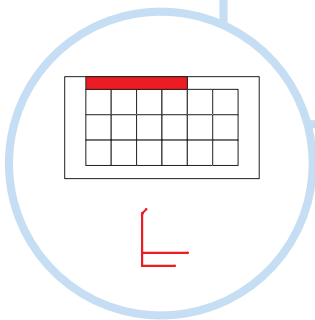
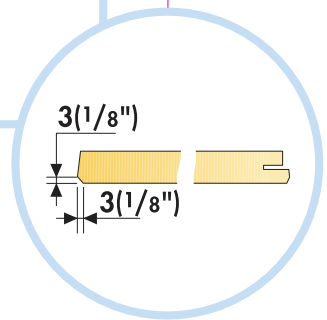
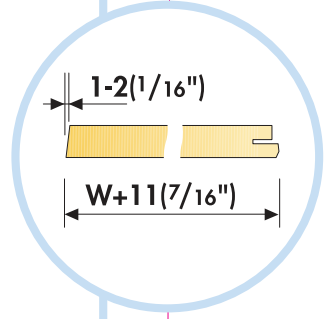
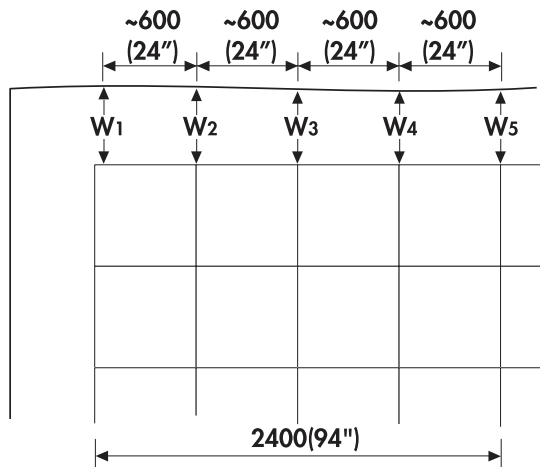
$A \geq 0$
 $\Delta \geq 60(2^{3/8}'')$

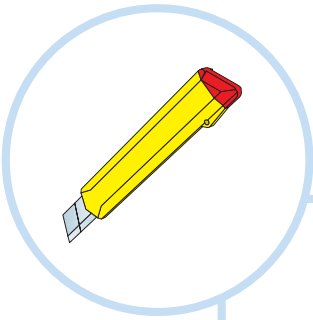


8



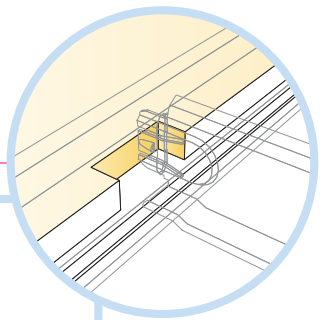
4



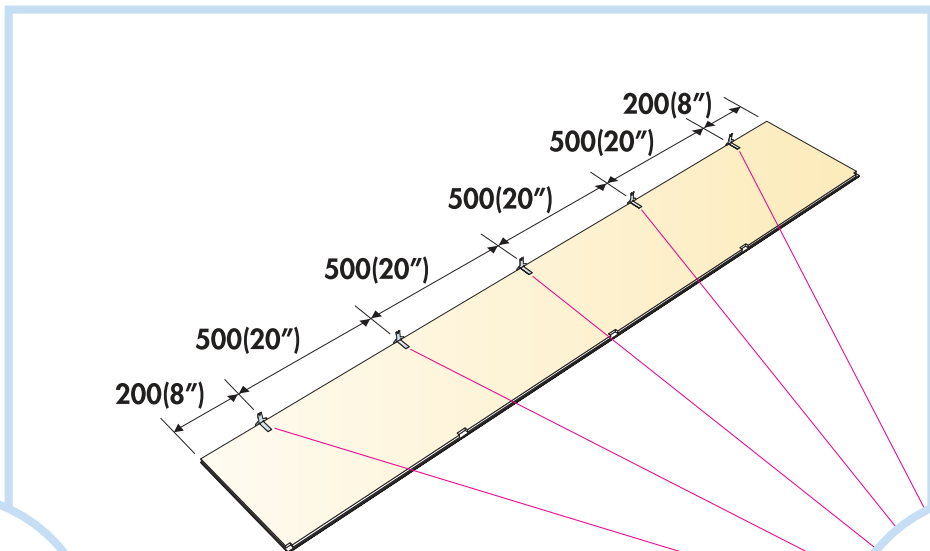
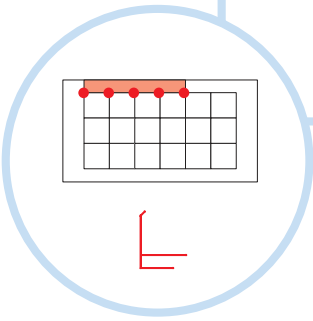
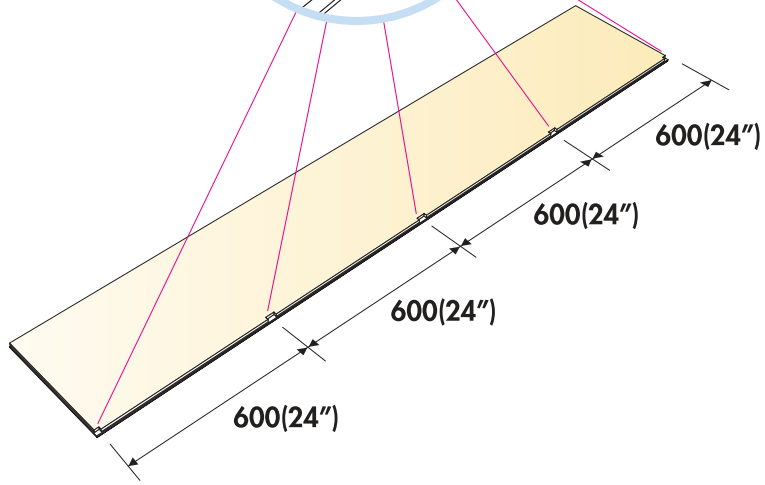


~30
(1 3/16")

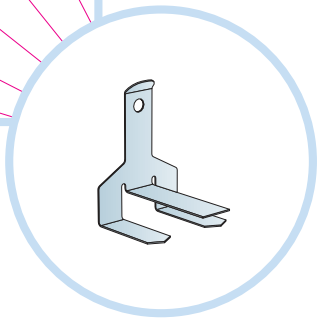
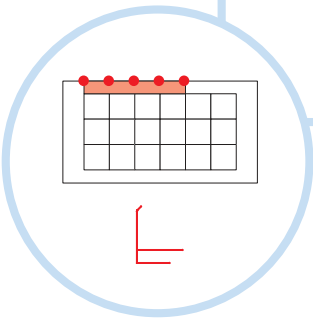
~10
(3/8")

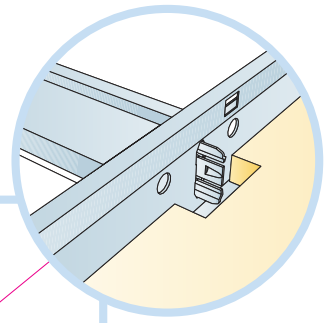
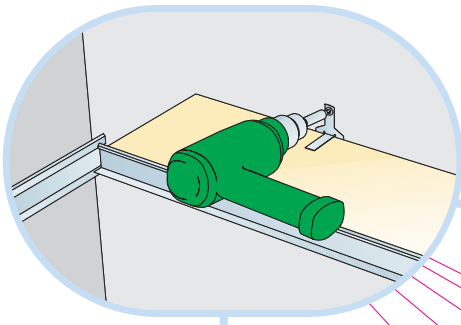


5

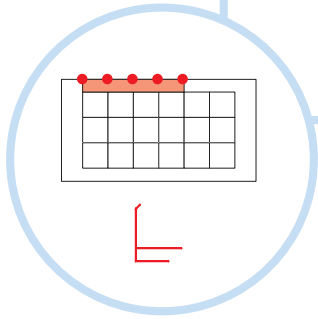
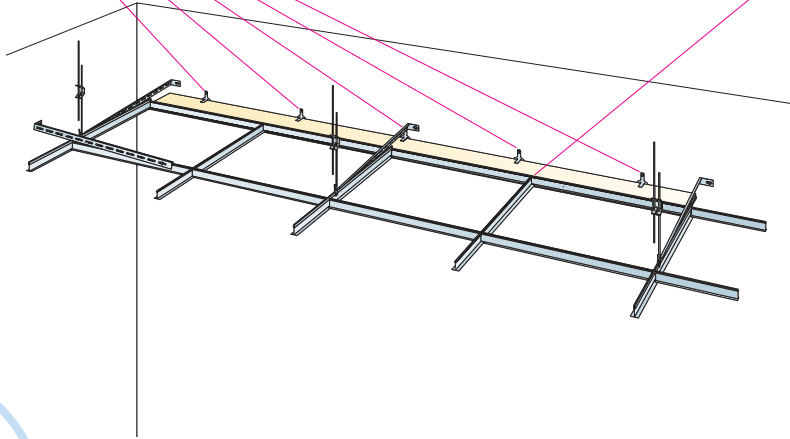


6



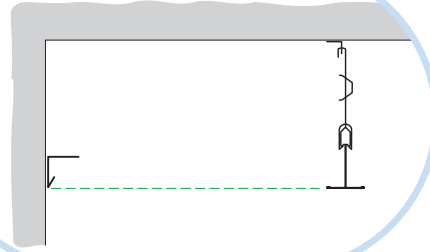
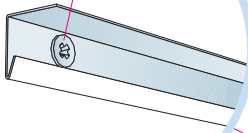


7

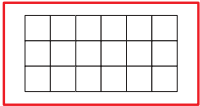
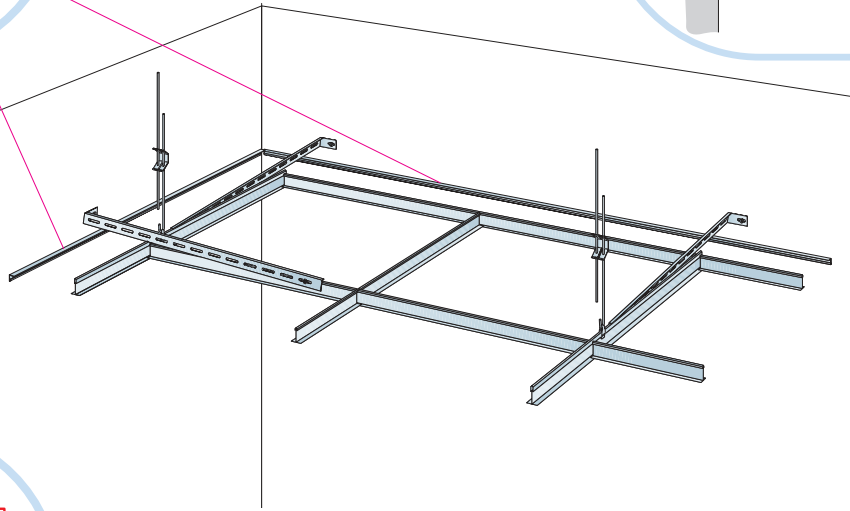


12

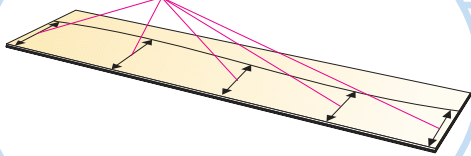
C300(12")



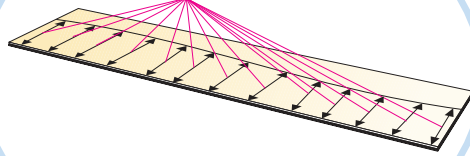
8



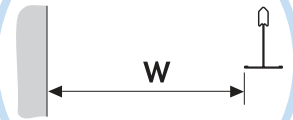
$W_1 - W_5 + 13(1/2")$



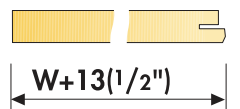
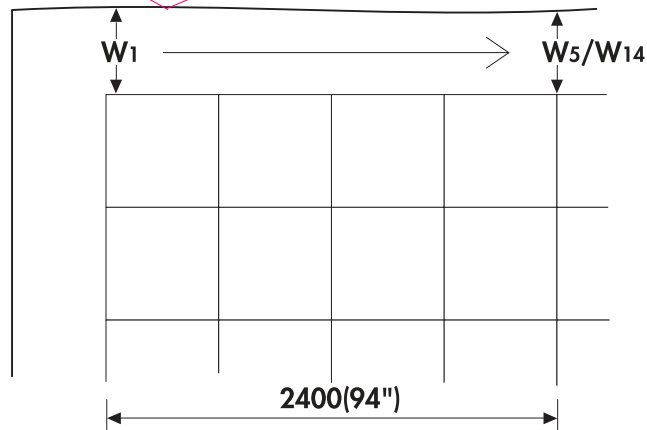
$W_1 - W_{14} + 13(1/2")$



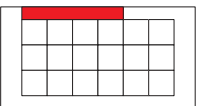
W



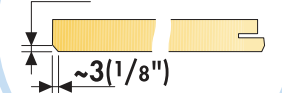
9



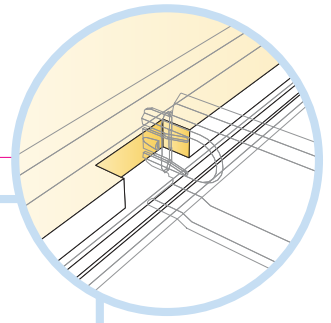
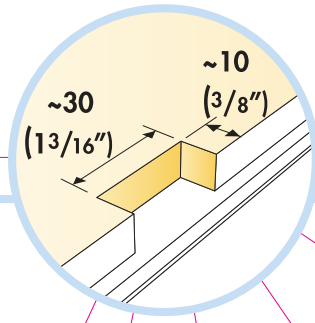
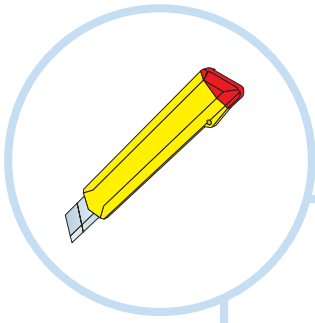
$W + 13(1/2")$



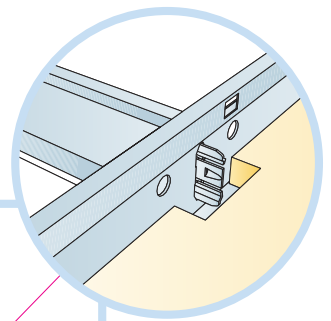
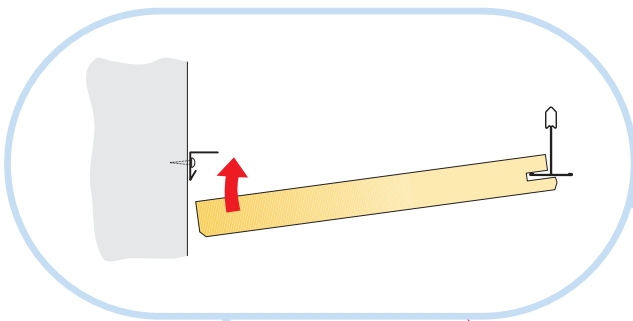
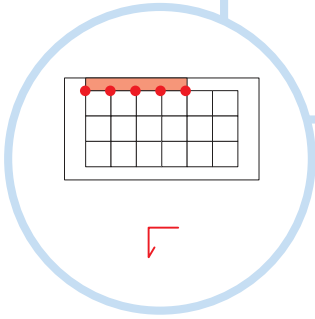
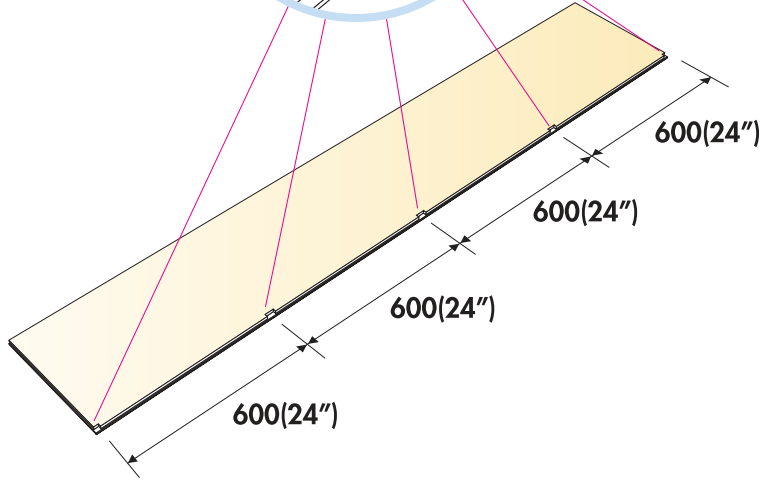
$\sim 3(1/8")$



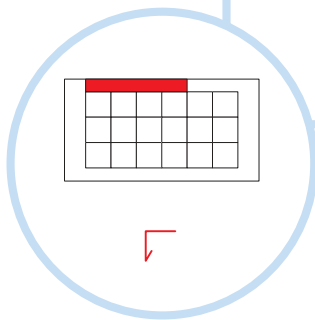
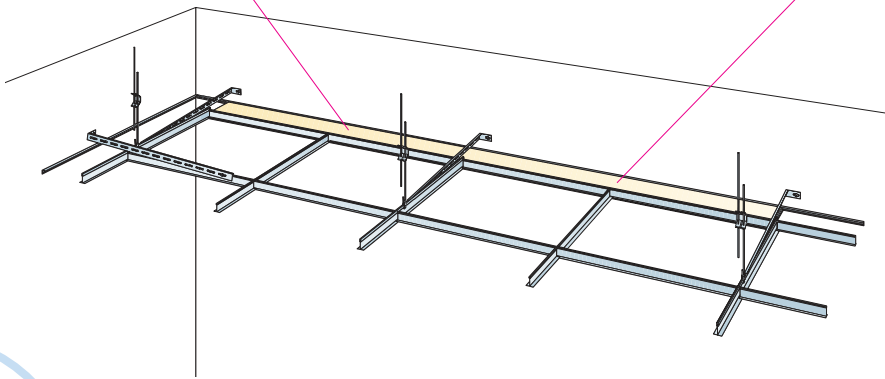
$\sim 3(1/8")$

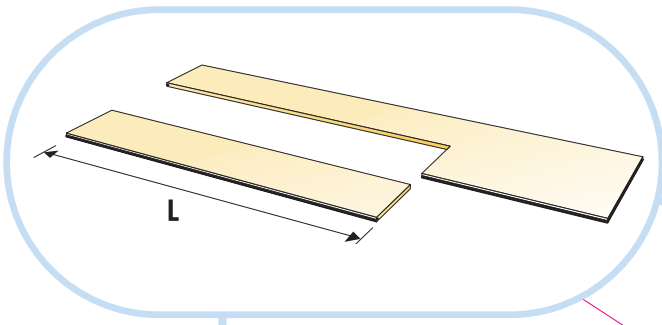


10

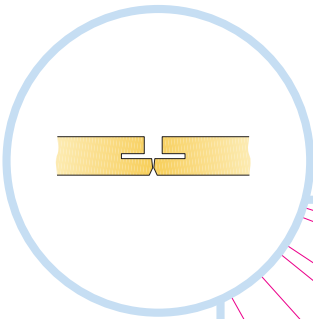
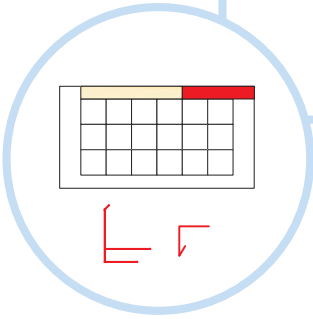
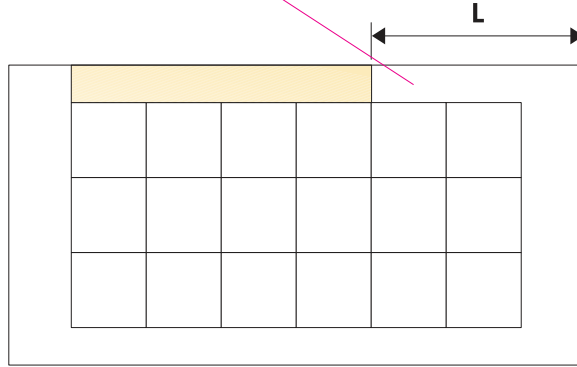


11

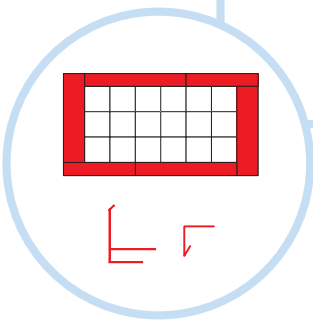
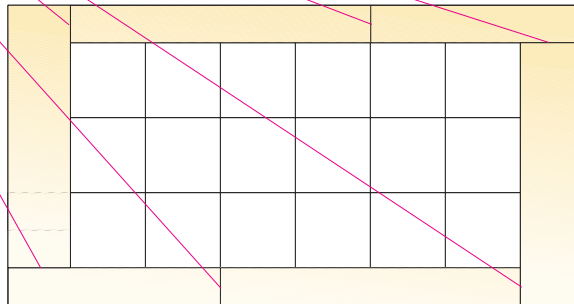


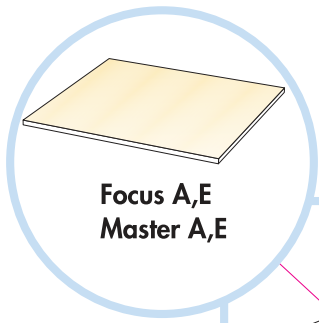


12

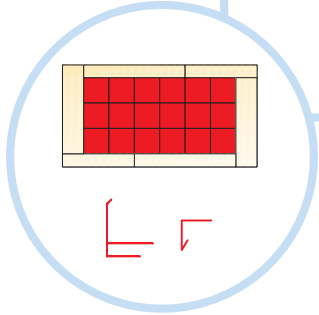
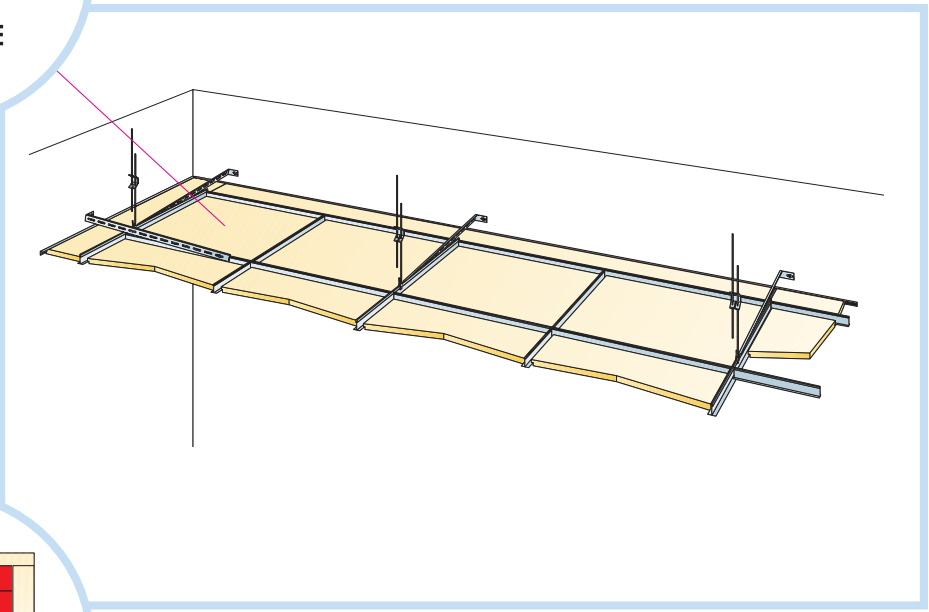


13

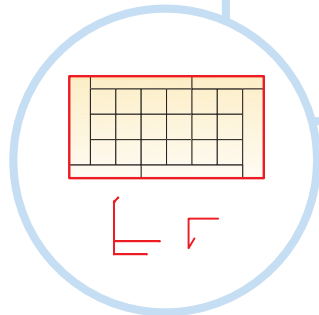
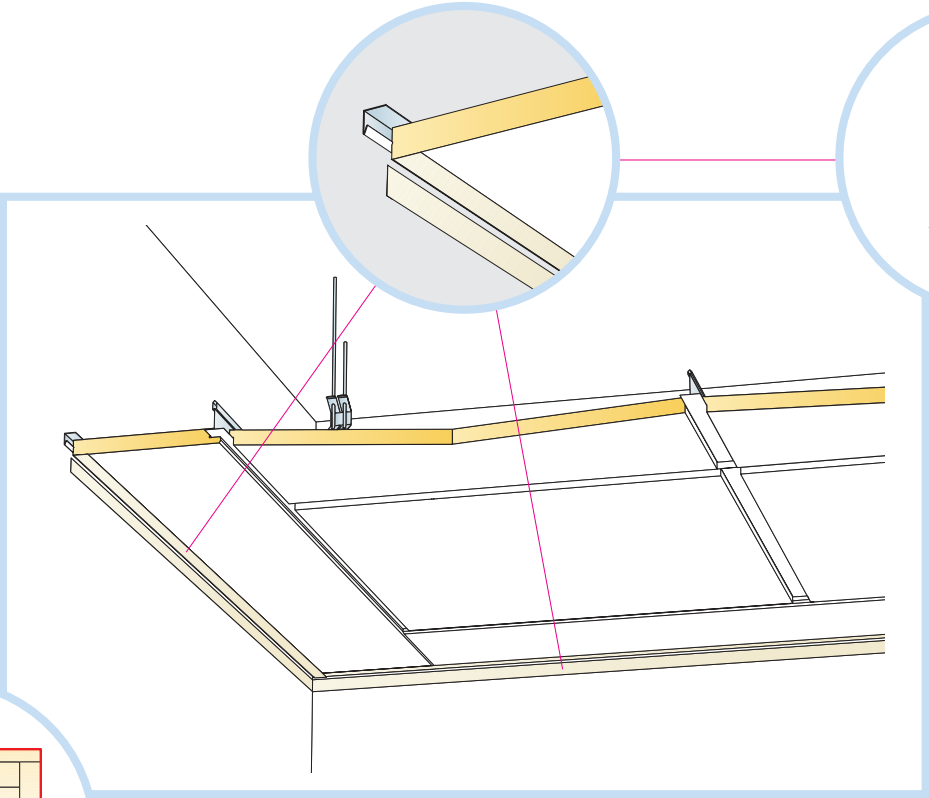


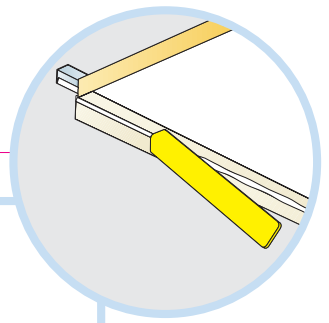
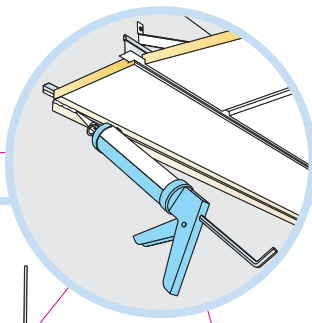
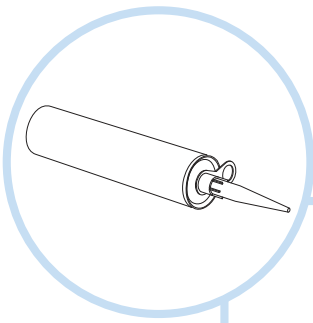


14

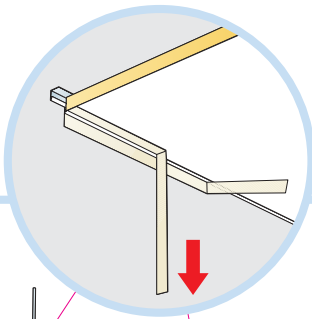
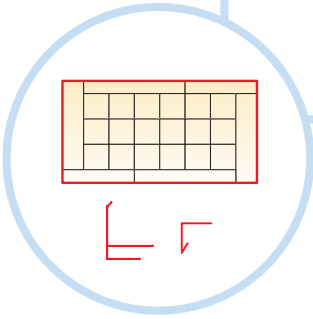
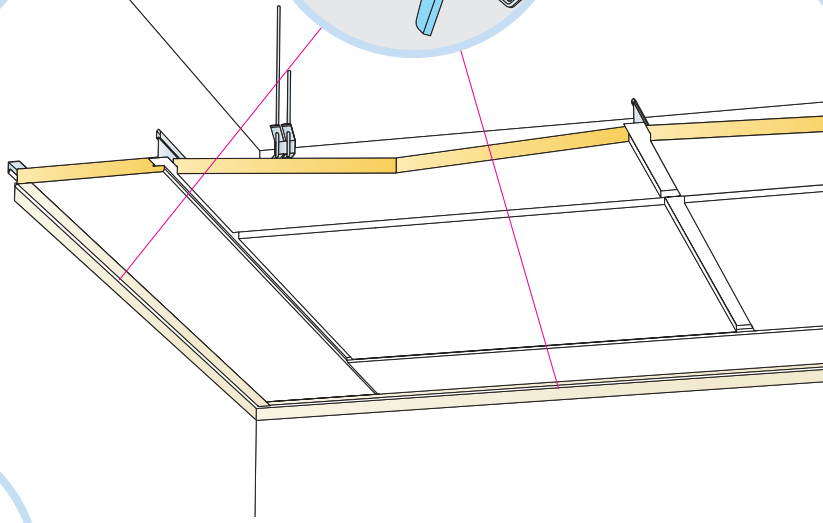


15





16



17

